



**Locks and hardware
for ship and yachtbuilders**



S & B Beschläge GmbH

**Catalogue
2011/2012**

INFORMATION

INFORMATION

- CERTIFICATE	7
- SURFACE TREATMENTS	8
- FACEPLATE DESCRIPTION	9
- DOOR DIRECTIONS.....	10

LOCKS & ATTACHMENTS BRASS

MORTISE LOCKS BRASS

- MORTISE LOCKS KEY HOLE	11
- MORTISE LOCKS DIN 81301 PROFILE CYLINDER HOLE	12
- MORTISE LOCKS DIN 81303 LAVATORY VERSION.....	13
- MORTISE CATCH LOCKS	14
- STRIKING PLATES FOR MORTISE LOCKS	15
- SLIDING DOOR MORTISE LOCKS PROFILE CYLINDER HOLE.....	16

RIM LOCKS BRASS

- RIM LOCKS DIN 81311 C PROFILE CYLINDER HOLE	18
- RIM LOCKS WITH FLANGE	19
- RIM DEAD LOCKS DIN 81308 A KEY HOLE	20
- RIM DEAD LOCKS DIN 81308 B PROFILE CYLINDER HOLE.....	21

DOOR HANDLES BRASS

- DOOR HANDLES FOR MORTISE LOCKS	22
- DOOR HANDLES FOR RIM LOCKS	22

ESCUTCHEONS & ROSETTES BRASS

- ESCUTCHEONS 165X45 MM	23
- ESCUTCHEONS FOR LAVATORY	24
- ESCUTCHEONS LONG 230 MM	25
- ESCUTCHEONS ROUND WITH KEY HOLE	26
- ESCUTCHEONS ROUND WITH PROFILE CYLINDER HOLE	26
- ESCUTCHEONS ROUND FOR LAVATORY	27
- HANDLE ROSETTES	28
- ESCUTCHEONS FOR KEYHOLES	28
- ESCUTCHEONS FOR KEYHOLES WITH COVERPLATE	29
- ESCUTCHEONS FOR PROFILE CYLINDER HOLES	29
- PROFILE CYLINDER COVER PLATES.....	30
- ATTACHMENTS	30

LOCKS & ATTACHMENTS STAINLESS STEEL

MORTISE LOCKS STAINLESS STEEL

- MORTISE LOCKS DIN 81301 PROFILE CYLINDER HOLE	31
- MORTISE LOCKS 16 MM LATCH.....	32
- MORTISE LOCKS LAVATORY VERSION	33
- MORTISE CATCH LOCKS	34
- MORTISE DEAD LOCKS	35

- MORTISE LOCKS 72 MM DISTANCE.....	36
- STRIKING PLATES	37

RIM LOCKS STAINLESS STEEL

- RIM LOCKS DIN 81311 C STAINLESS STEEL.....	38
- RIM DEAD LOCKS STAINLESS STEEL	39
- RIM CATCH LOCKS STAINLESS STEEL.....	40
- RIM LOCKS DIN 81312 C, DOUBLE TURN STAINLESS STEEL.....	41

DOOR HANDLES STAINLESS STEEL

- DOOR HANDLES FOR MORTISE LOCKS	42
- DOOR HANDLES FOR RIM LOCKS DIN 81317 E.....	44

ESCUTCHEONS & ROSETTES STAINLESS STEEL

- LONG ESCUTCHEONS 230 MM	45
- ESCUTCHEONS ANGULAR	46
- ESCUTCHEONS WITH COVERPLATE	47
- ESCUTCHEONS FOR LAVATORY VERSION.....	48
- ESCUTCHEONS ROUND WITH KEY HOLE.....	49
- ESCUTCHEONS ROUND WITH PROFILE CYLINDER HOLE.....	49
- ESCUTCHEONS ROUND FOR LAVATORY VERSION.....	50
- RECESSED FLAT HANDLE GRIP	51
- HANDLE ROSETTES 51 MM	52
- PROFILE CYLINDER COVER PLATE.....	52
- ATTACHMENTS	53

CYLINDERS

MASTER KEY SYSTEMS

- INFORMATION CENTRAL LOCKING SYSTEM.....	55
- INFORMATION MASTER KEY SYSTEM.....	55
- INFORMATION GENERAL MASTER KEY SYSTEM	56

EUROPROFILE CYLINDERS

- STANDARD	57
- KEYS	60

ELECTRONIC CYLINDERS

- ELLSYS®	61
-----------------	----

CABINET LOCKS & SNAPPERS

CABINET SNAPPERS

- 1503 SNAPPER	63
- 1510 SNAPPER LOCKABLE.....	64
- 1513 RIM SNAPPER.....	65
- 1515 PRESS KNOB SNAPPER.....	66
- FINGER SNAPPER	66
- GRIP SNAPPER	67
- GRIP SNAPPER LOCKABLE	67

CABINET RIM LOCKS

- CABINET LOCK FLAT WITH GRIP	68
- CABINET RIM LOCK 1511 WITH KEY HOLE	69
- CABINET RIM LOCK 1512 WITH PROFILE CYLINDER.....	70

LOCKING SYSTEMS

DOOR HOLDERS & FASTENERS

- PIN BOLTS BRASS	71
- BOLTS.....	72
- DOOR STOPPERS DIN 81409 A	75
- DOOR STOPPERS DIN 81409 B	75
- SPRING CLIPS 45/70 NMM	76
- DOOR STOPPERS SMALL	76
- DOOR STOPPERS 80 MM ADJUSTABLE.....	77
- DOOR STOPPERS 60 MM DIN 81406 A.....	78
- DOOR STOPPERS 90 MM DIN 81406 A.....	79
- DOOR STOPPER 75 MM.....	79
- DOOR CLOSER EN 1154 A.....	80
- BALL CATCHERS.....	81
- ARTICULATED HOOKS	81
- DOOR HOOKS	82
- AJAR HOOKS.....	84
- TURNBUCKLES.....	84

WINDOW, HATCH & DOOR HARDWARE

WINDOW & HATCH FASTENER ELEMENTS

- HATCH FASTENERS	87
- WINDOW FASTENERS.....	88
- WINDOW & SIDELIGHT HOLDERS	88
- CABINET SHEAR.....	91
- DOOR STAY STAINLESS STEEL	91

DECK HARDWARE

DECK HARDWARE

- DECK HARDWARE INTERIOR.....	93
- DOOR HARDWARE	96

NUTS & BOLTS

BOLTS

- DIN 444 BRASS.....	97
- DIN 444 STAINLESS STEEL	98

NUTS

- DIN 80704 BRASS.....	99
------------------------	----

- DIN 80704 STAINLESS STEEL	99
- DIN 582 BRASS	100
- DIN 83407 FORM A WITH LIFTING NUT	101
- DIN 83407 FORM B WITH WING NUT	102
- DIN 83407 PRESS FORKS FORM C	102
- DIN 83407 PRESS FORKS FORM D	103
- DIN 315 BRASS	103
- DIN 80701 BRASS	104
- DIN 80701 STAINLESS STEEL	104

INTERIOR HARDWARE

HINGES BRASS

- HINGES DIN 81401 A	107
- HINGES DIN 81402 E	107
- HINGES DIN 81401 B	108

HINGES STAINLESS STEEL

- HINGES 2017/2027	109
- HINGES 2001/2002	109
- HINGES NR. 138	110
- HINGES NR. 139	110
- HINGES NR. 110	111
- HINGES NR. 120	111
- HINGES NR. 193	112
- HINGES NR. 188	113
- HINGES NR. 116	114

HASPS

- HASPS STAMPED	115
- HASPS CASTED	115
- HASPS WITH RING GRIP CASTED VERSION	117

AIR VENTILATING ELEMENTS

- VENTILATING VALVES ANGULAR	118
- VENTILATING VALVES ROUND	119

HAT, COAT, TOWEL AND CUP HOOKS

- HAT AND COAT HOOKS	121
- CUP HOOKS BRASS	123
- TOWEL HOOKS	124
- WINE GLASS HOLDER STAINLESS STEEL	125

RAILING SYSTEMS

- RAILING HOLDERS BRASS	126
-------------------------------	-----

BOARD HOLDER

- BOARD HOLDER CASTED OR STAMPED	128
--	-----

ASHTRAY

- ASHTRAY FOR WALL MOUNTING	129
-----------------------------------	-----

HINGES FOR SHIP DOORS

STEEL HINGES FOR HEAVY HINGED SHIP DOORS

- HINGE DIN 83105 FORM C	131
- HINGE DIN 83105 FORM D	132

DOGS

DOGS FOR HEAVY HINGED SHIP DOORS AND HATCHES

- DOG ASSEMBLY DIN 83104 FORM A	133
- DOG ASSEMBLY DIN 83104 FORM B	133
- DOG ASSEMBLY DIN 83104 FORM C	134
- DOG ASSEMBLY DIN 83104 FORM A, STAINLESS STEEL	135

ATTACHMENT PARTS FOR DOGS

- SPARE PART LIST STEEL	136
- SPARE PART LIST STAINLESS STEEL	136

DELIVERYTERMS & CONDITIONS

DELIVERYTERMS & CONDITIONS

- DELIVERYTERMS & CONDITIONS	137
------------------------------------	-----

TABLE OF CONTENTS



CERTIFICATE - DIN EN ISO 9001:2008

CERTIFICATE **TUV NORD**

Management system as per
DIN EN ISO 9001 : 2008

In accordance with TÜV NORD CERT procedures, it is hereby certified that

S&B Beschläge GmbH
Gießerei und Metallwarenfabrik
Illingheimer Straße 10
59846 Sundern
Germany



applies a management system in line with the above standard for the following scope

Manufacturing and Distribution of foundry products and nonferrous metal products for the boat, ship and yacht industry, furniture and piano and grand piano producers and supplier of building hardware

Certificate Registration No. 44 100 090690
Audit Report No. 3504 6439

Valid until 2012-07-02

G. Brüntigam
Certification Body
at TÜV NORD CERT GmbH

Essen, 2009-07-03

This certification was conducted in accordance with the TÜV NORD CERT auditing and certification procedures and is subject to regular surveillance audits.

TÜV NORD CERT GmbH

Langemarckstrasse 20

45141 Essen

www.tuev-nord-cert.com



TGA-ZM-07-06-00

SURFACE TREATMENTS - BRASS & STAINLESS STEEL

Order example

114201.4 = Surface Brass polished.

114201.9 = Surface Brass matt chromium plated.

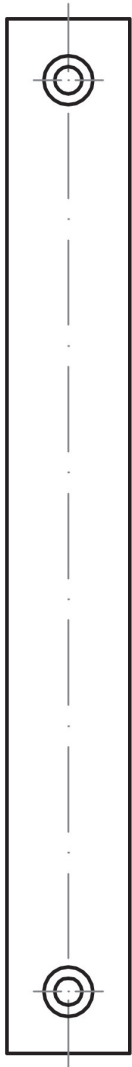
Please ask for additional surfaces.

Abbreviation	Surface	Endnr.
Brp	Brass rolled polished	.1
Brpn	Brass rolled polished nickel plated	.2
Brpc	Brass rolled polished chromium plated	.3
Bp	Brass polished	.4
Bpn	Brass rolled polished nickel plated	.5
Bpc	Brass polished chromium plated	.6
Bm	Brass matt	.7
Bmn	Brass matt nickel plated	.8
Bmc	Brass matt chromium plated	.9
S/S brushed	Stainless steel brushed	.0
S/S pol	Stainless steel polished	.4
S/S matt	Stainless steel satin matt	.9
S/S raw	Stainless steel raw	.0

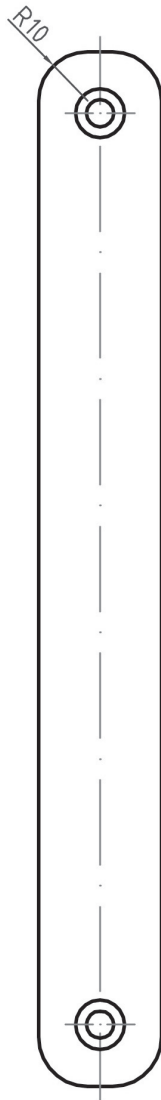
FACEPLATE DESCRIPTION - FACEPLATES

faceplate versions

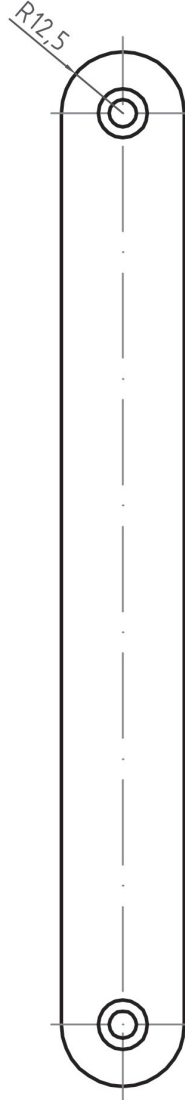
angular



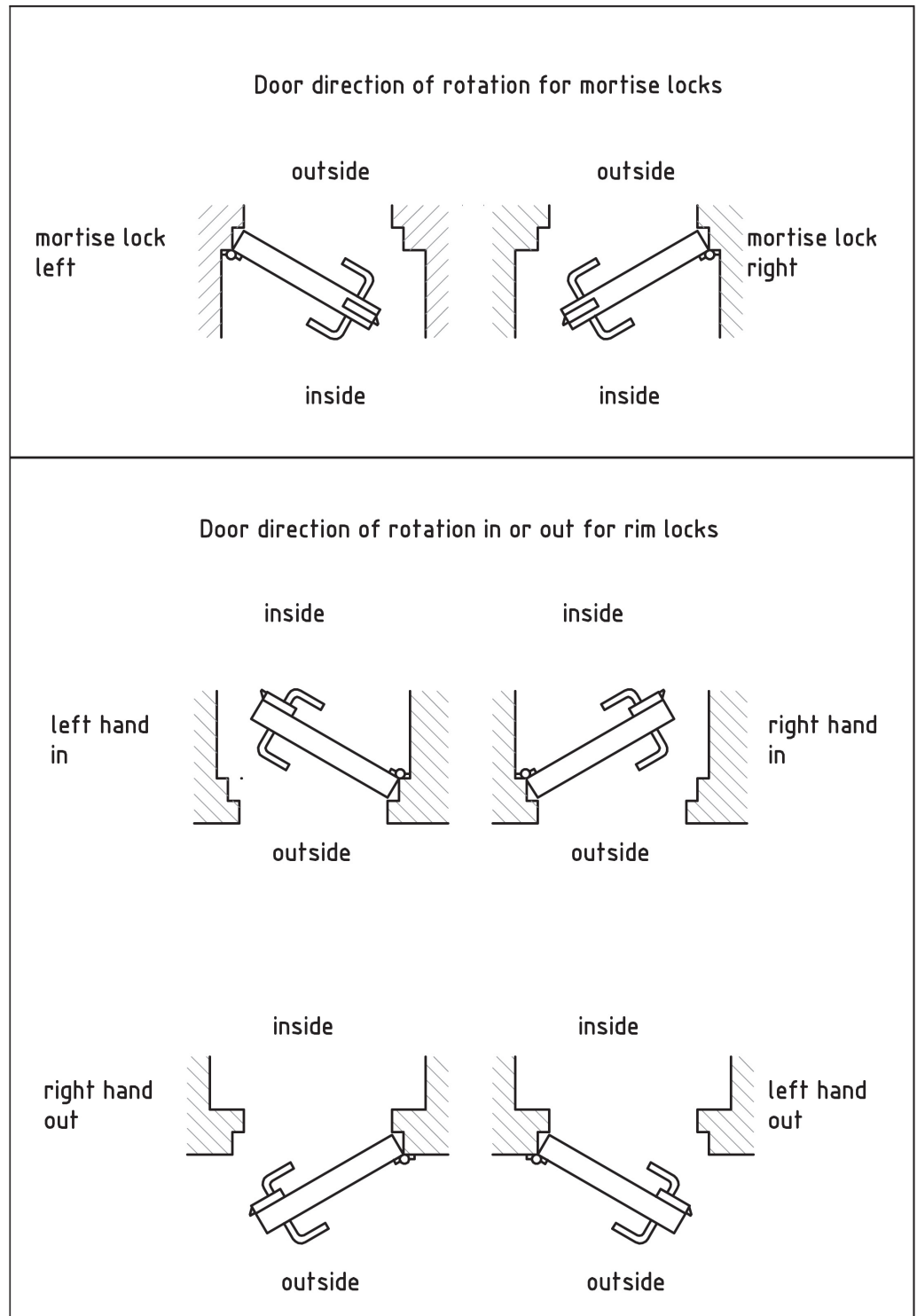
half round



round



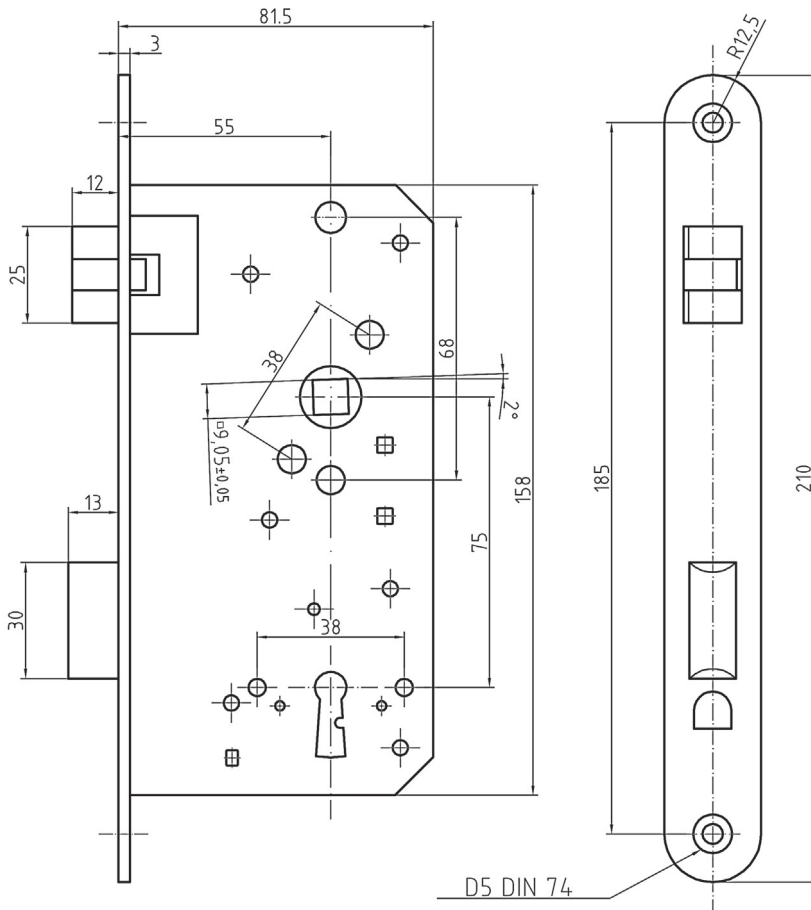
DOOR DIRECTIONS - DOOR DIRECTIONS



MORTISE LOCKS KEY HOLE - SOLID OR TRIPLE LATCH

Mortise locks with 9 mm spindle hole, 55mm backset, distance 75 mm

- Available surfaces: Bp, Bpc and Bmc
- key version delivered with 2 keys
- With change system on request
- Straight faceplate or Radius R=10 mm on request
- As well with horizontal fixing holes for handle rosettes 38 mm distance

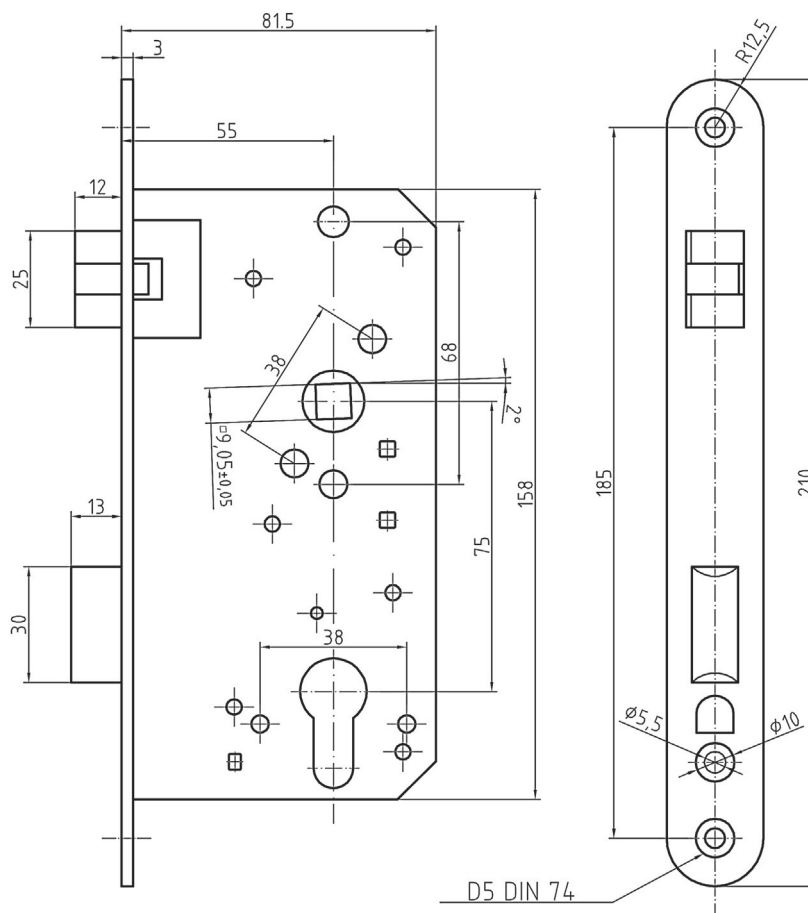
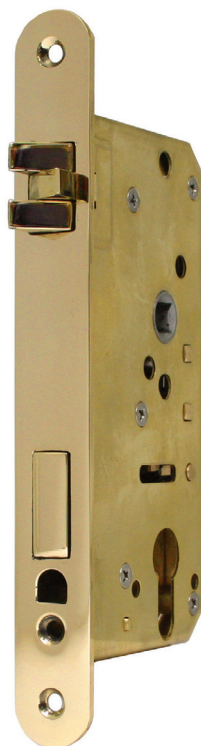


Art.code	Surface	Article description	Unit	Weight
100131.4	Bp	Mortise key lock, DIN 81301 A, right, 55/9 mm, distance 75 mm, solid latch bolt	pc.	0,710
100131.6	Bpc	Mortise key lock, DIN 81301 A, right, 55/9 mm, distance 75 mm, solid latch bolt	pc.	0,710
100131.9	Bmc	Mortise key lock, DIN 81301 A, right, 55/9 mm, distance 75 mm, solid latch bolt	pc.	0,710
100132.4	Bp	Mortise key lock, DIN 81301 A, left, 55/9 mm, distance 75 mm, solid latch bolt	pc.	0,710
100132.6	Bpc	Mortise key lock, DIN 81301 A, left, 55/9 mm, distance 75 mm, solid latch bolt	pc.	0,710
100132.9	Bmc	Mortise key lock, DIN 81301 A, left, 55/9 mm, distance 75 mm, solid latch bolt	pc.	0,710
101131.4	Bp	Mortise key lock, DIN 81303 AK, right, triple latch bolt,	pc.	0,710
101131.6	Bpc	Mortise key lock, DIN 81303 AK, right, triple latch bolt,	pc.	0,710
101131.9	Bmc	Mortise key lock, DIN 81303 AK, right, triple latch bolt,	pc.	0,710
101132.4	Bp	Mortise key lock, DIN 81303 AK, left, triple latch bolt	pc.	0,710
101132.6	Bpc	Mortise key lock, DIN 81303 AK, left, triple latch bolt	pc.	0,710
101132.9	Bmc	Mortise key lock, DIN 81303 AK, left, triple latch bolt	pc.	0,710

MORTISE LOCKS DIN 81301 PROFILE CYLINDER HOLE - SOLID OR TRIPLE LATCH

Mortise lock with 9 mm spindle hole, 55mm backset, distance 75 mm

- Available surfaces: Bp, Bpc and Bmc
- key version delivered with 2 keys
- With change system on request
- Straight faceplate or Radius R=10 mm on request
- Latch 16 mm length on request



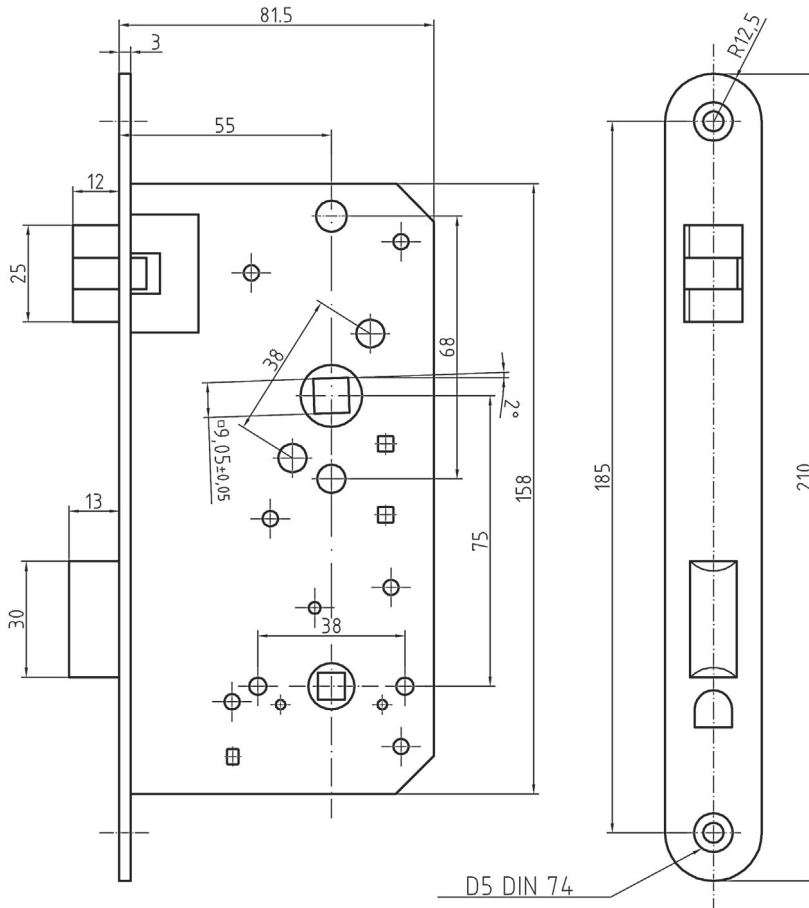
Art.code	Surface	Article description	Unit	Weight
100231.4	Bp	Mortise profile cylinder lock, DIN 81301 B, right, solid latch bolt	pc.	0,710
100231.6	Bpc	Mortise profile cylinder lock, DIN 81301 B, right, solid latch bolt	pc.	0,710
100231.9	Bmc	Mortise profile cylinder lock, DIN 81301 B, right, solid latch bolt	pc.	0,710
100232.4	Bp	Mortise profile cylinder lock, DIN 81301 B, left, solid latch bolt	pc.	0,710
100232.6	Bpc	Mortise profile cylinder lock, DIN 81301 B, left, solid latch bolt	pc.	0,710
100232.9	Bmc	Mortise profile cylinder lock, DIN 81301 B, left, solid latch bolt	pc.	0,710
101231.4	Bp	Mortise profile cylinder lock, DIN 81301 BK, right, triple latch bolt	pc.	0,710
101231.6	Bpc	Mortise profile cylinder lock, DIN 81301 BK, right, triple latch bolt	pc.	0,710
101231.9	Bmc	Mortise profile cylinder lock, DIN 81301 BK, right, triple latch bolt	pc.	0,710
101232.4	Bp	Mortise profile cylinder lock, DIN 81301 BK, left, triple latch bolt	pc.	0,710
101232.6	Bpc	Mortise profile cylinder lock, DIN 81301 BK, left, triple latch bolt	pc.	0,710
101232.9	Bmc	Mortise profile cylinder lock, DIN 81301 BK, left, triple latch bolt	pc.	0,710

MORTISE LOCKS DIN 81303 LAVATORY VERSION - SOLID OR TRIPLE LATCH

Mortise lock with 9 mm spindle hole, 55mm backset, distance 75 mm, key version with 2 keys

• Available surfaces: Bp, Bpc and Bmc

• Straight faceplate or Radius R=10 mm on request



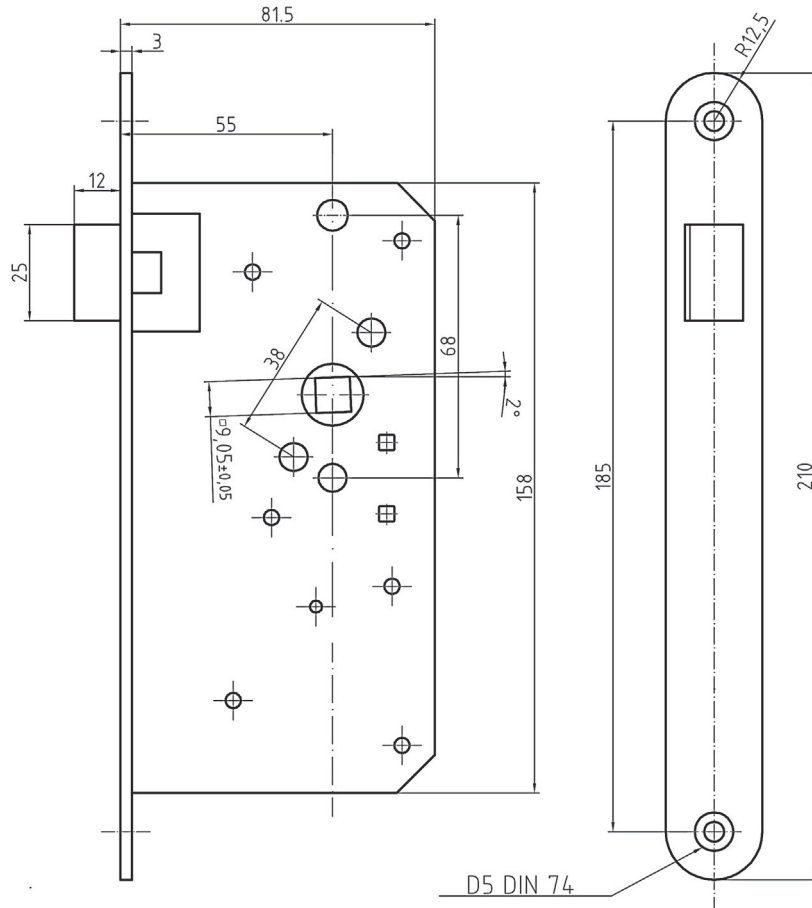
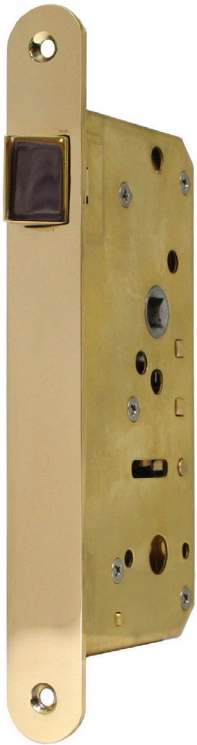
Art.code	Surface	Article description	Unit	Weight
100031.4	Bp	Mortise WC lock, DIN 81303 A, right, solid latch bolt	pc.	0,710
100031.6	Bpc	Mortise WC lock, DIN 81303 A, right, solid latch bolt	pc.	0,710
100031.9	Bmc	Mortise WC lock, DIN 81303 A, right, solid latch bolt	pc.	0,710
100032.4	Bp	Mortise WC lock, DIN 81303 A, left, solid latch bolt	pc.	0,710
100032.6	Bpc	Mortise WC lock, DIN 81303 A, left, solid latch bolt	pc.	0,710
100032.9	Bmc	Mortise WC lock, DIN 81303 A, left, solid latch bolt	pc.	0,710
101031.4	Bp	Mortise WC lock, DIN 81303 AK, right, triple latch bolt	pc.	0,710
101031.6	Bpc	Mortise WC lock, DIN 81303 AK, right, triple latch bolt	pc.	0,710
101031.9	Bmc	Mortise WC lock, DIN 81303 AK, right, triple latch bolt	pc.	0,710
101032.4	Bp	Mortise WC lock, DIN 81303 AK, left, triple latch bolt	pc.	0,710
101032.6	Bpc	Mortise WC lock, DIN 81303 AK, left, triple latch bolt	pc.	0,710
101032.9	Bmc	Mortise WC lock, DIN 81303 AK, left, triple latch bolt	pc.	0,710

MORTISE CATCH LOCKS - MORTISE CATCH LOCKS WITH 9 MM SPINDLE HOLE

Mortise locks with solid or triple latch

- Available surfaces: Bp, Bpc and Bmc
- Straight faceplate or Radius R=10 mm on request

- Latch 16 mm length on request



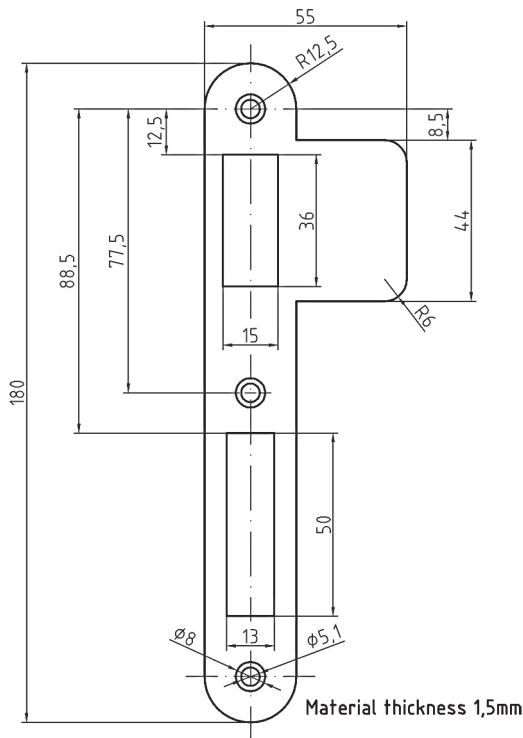
Art.code	Surface	Article description	Unit	Weight
100631.4	Bp	Mortise catch lock right, solid latch bolt	pc.	0,590
100631.6	Bpc	Mortise catch lock right, solid latch bolt	pc.	0,590
100631.9	Bmc	Mortise catch lock right, solid latch bolt	pc.	0,590
100632.4	Bp	Mortise catch lock left, solid latch bolt	pc.	0,590
100632.6	Bpc	Mortise catch lock left, solid latch bolt	pc.	0,590
100632.9	Bmc	Mortise catch lock left, solid latch bolt	pc.	0,590
101631.4	Bp	Mortise catch lock right, solid latch bolt	pc.	0,581
101631.6	Bpc	Mortise catch lock right, solid latch bolt	pc.	0,581
101631.9	Bmc	Mortise catch lock right, solid latch bolt	pc.	0,581
101632.4	Bp	Mortise catch lock left, solid latch bolt	pc.	0,581
101632.6	Bpc	Mortise catch lock left, solid latch bolt	pc.	0,581
101632.9	Bmc	Mortise catch lock left, solid latch bolt	pc.	0,581

STRIKING PLATES FOR MORTISE LOCKS - STRIKING PLATES FOR MORTISE LOCKS BRASS

Striking plates for distances 72-78 mm

• Available surfaces: Bp, Bpc or Bmc

• Striking plates for catch locks on request



Art.code	Surface	Article description	Unit	Weight
220031.4	Bp	Striking plate 25x1,5x180 mm, right, for mortise locks	pc.	0,045
220031.6	Bpc	Striking plate 25x1,5x180 mm, right, for mortise locks	pc.	0,045
220031.9	Bmc	Striking plate 25x1,5x180 mm, right, for mortise locks	pc.	0,045
220032.4	Bp	Striking plate 25x1,5x180 mm, left, for mortise locks	pc.	0,045
220032.6	Bpc	Striking plate 25x1,5x180 mm, left, for mortise locks	pc.	0,045
220032.9	Bmc	Striking plate 25x1,5x180 mm, left, for mortise locks	pc.	0,045
220031F.4	Bp	Striking plate 25x1,5x180 mm, right, for mortise catch locks	pc.	0,050
220031F.6	Bpc	Striking plate 25x1,5x180 mm, right, for mortise catch locks	pc.	0,050
220031F.9	Bmc	Striking plate 25x1,5x180 mm, right, for mortise catch locks	pc.	0,050
220032F.4	Bp	Striking plate 25x1,5x180 mm, left, for mortise catch locks	pc.	0,050
220032F.6	Bpc	Striking plate 25x1,5x180 mm, left, for mortise catch locks	pc.	0,050
220032F.9	Bmc	Striking plate 25x1,5x180 mm, left, for mortise catch locks	pc.	0,050

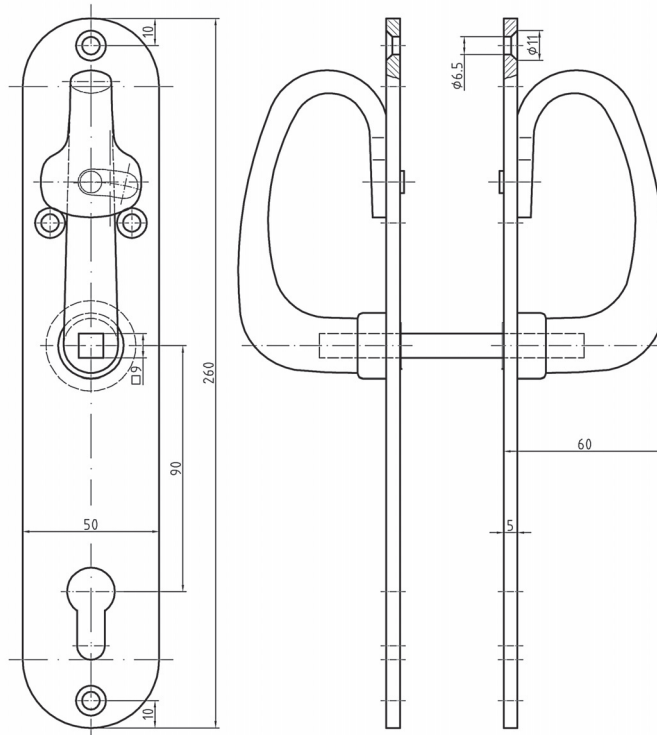
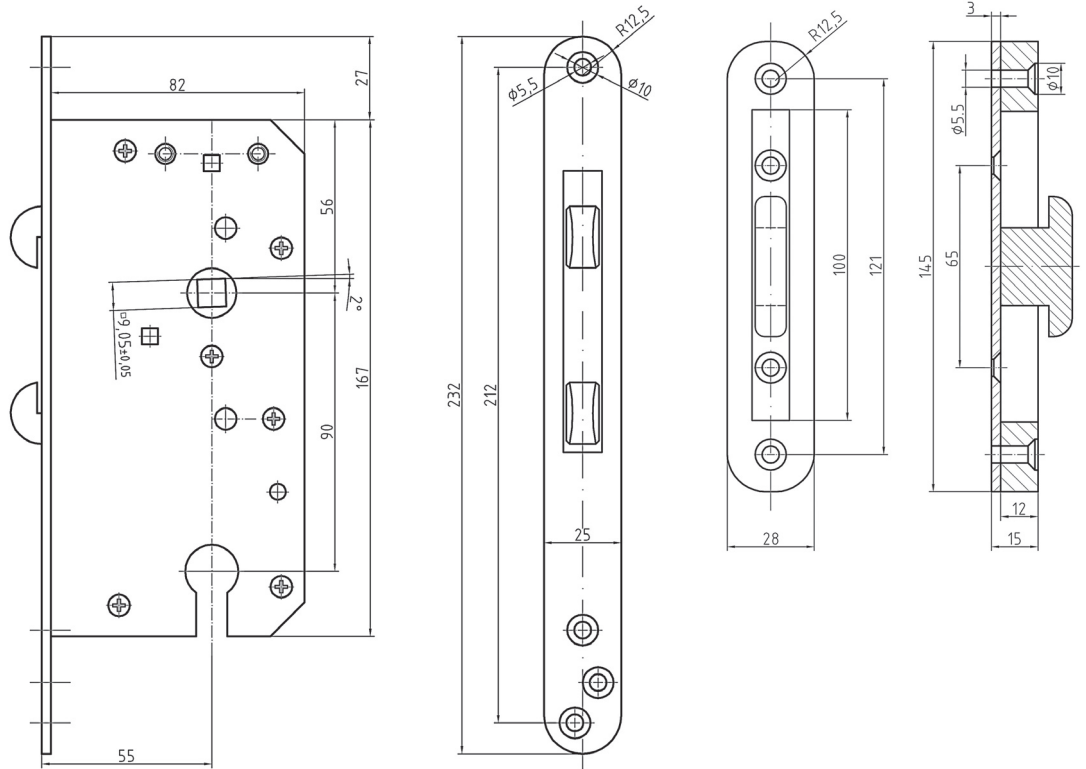
1 LOCKS & ATTACHMENTS BRASS

MORTISE LOCKS BRASS

SLIDING DOOR MORTISE LOCKS PROFILE CYLINDER HOLE - SLIDING DOOR MORTISE LOCKS DISTANCE 90 MM

- Distance 90 mm
- 55 mm backset

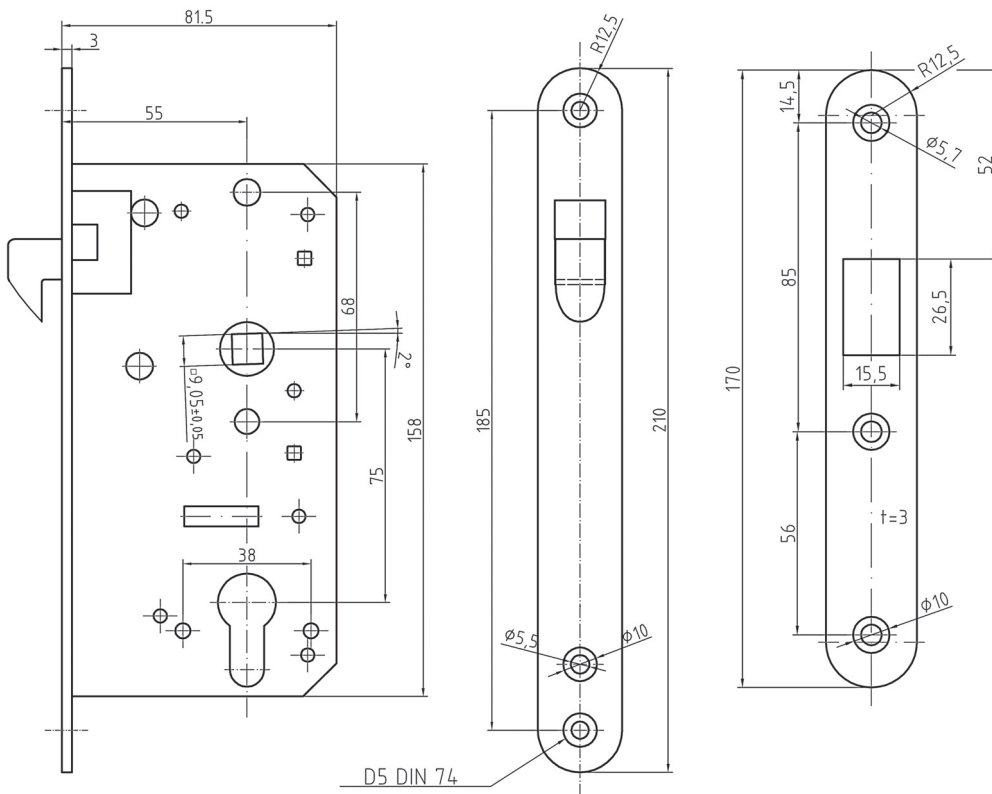
- Available surfaces: Bp, Bpc or Bmc



Art.code	Surface	Article description	Unit	Weight
100930.4	Bp	Sliding door lock with profile cylinder hole 55/9 mm	pc.	0,890
100930.6	Bpc	Sliding door lock with profile cylinder hole 55/9 mm	pc.	0,890
100930.9	Bmc	Sliding door lock with profile cylinder hole 55/9 mm	pc.	0,890
200969.4	Bp	Door handle set with profile cylinder hole for sliding door lock 1009	pc.	2,450
200969.6	Bpc	Door handle set with profile cylinder hole for sliding door lock 1009	pc.	2,450
200969.9	Bmc	Door handle set with profile cylinder hole for sliding door lock 1009	pc.	2,450
220830.4	Bp	Closing block for sliding door lock 1009	pc.	0,365
220830.6	Bpc	Closing block for sliding door lock 1009	pc.	0,365
220830.9	Bmc	Closing block for sliding door lock 1009	pc.	0,365

SLIDING DOOR MORTISE LOCKS PROFILE CYLINDER HOLE - SLIDING DOOR MORTISE LOCKS DISTANCE 75 MM

• Available surfaces: Bp, Bpc or Bmc



Art.code	Surface	Article description	Unit	Weight
105630.4	Bp	Sliding door lock with profile cylinder hole 55/9 mm	pc.	0,775
105630.6	Bpc	Sliding door lock with profile cylinder hole 55/9 mm	pc.	0,775
105630.9	Bmc	Sliding door lock with profile cylinder hole 55/9 mm	pc.	0,775
225603.4	Bp	Striking plate for sliding door lock 1056	pc.	0,029
225603.6	Bpc	Striking plate for sliding door lock 1056	pc.	0,029
225603.9	Bmc	Striking plate for sliding door lock 1056	pc.	0,029

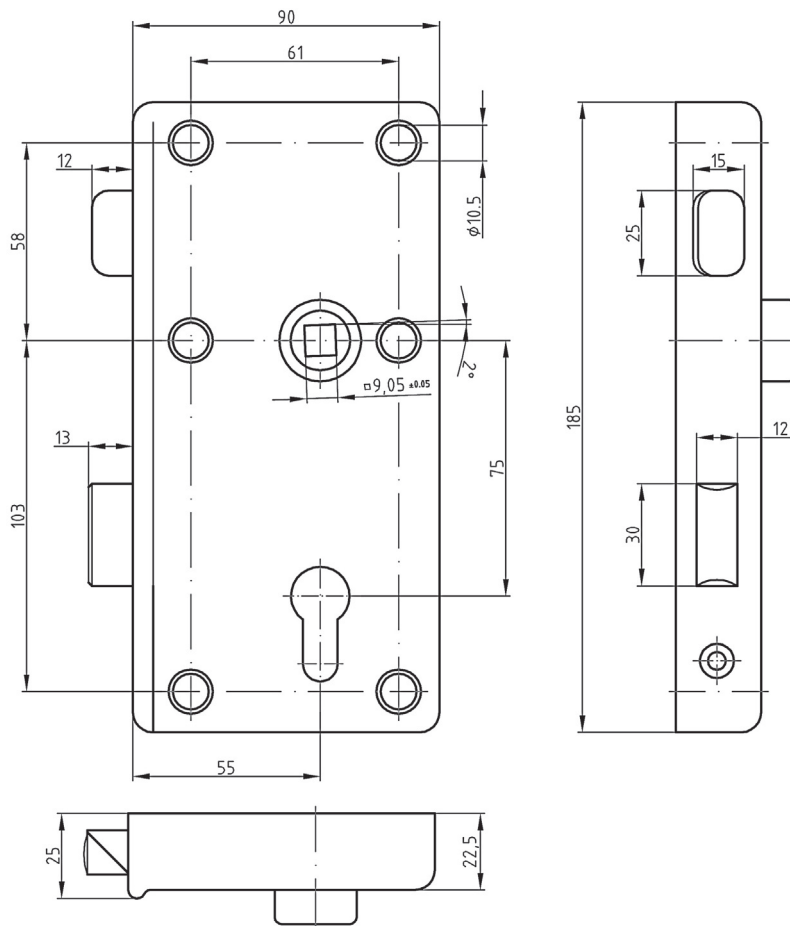
RIM LOCKS DIN 81311 C PROFILE CYLINDER HOLE - 1102 RIM LOCKS

Rim locks with 9 mm spindle hole, 55mm backset, distance 75 mm, profile cylinder hole

- Available surfaces: Bp, Bpc and Bmc
- Also available key hole version
- Right or left / Inward or outward



110202.4



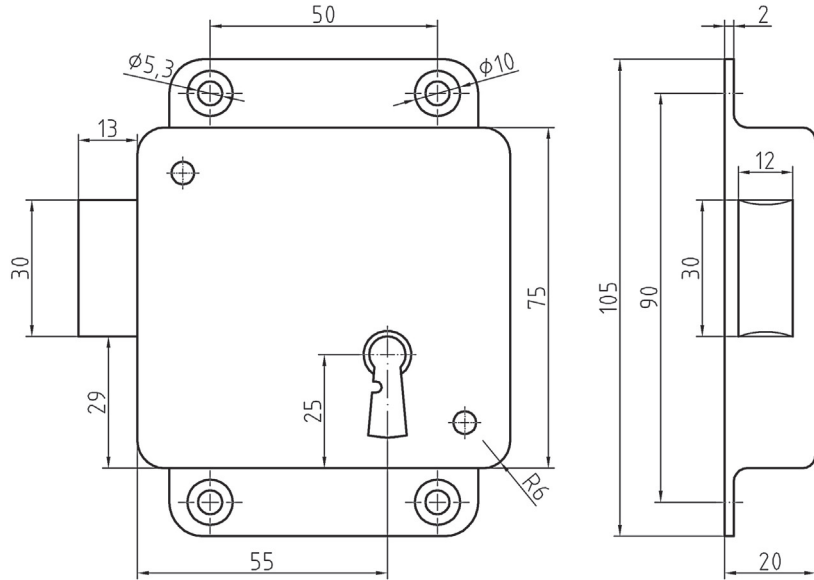
Art.code	Surface	Article description	Unit	Weight
110201.4	Bp	Rim lock, Ri/O, 55/9 mm, DIN 81311 C, profile cylinder hole	pc.	1,560
110201.6	Bpc	Rim lock, Ri/O, 55/9 mm, DIN 81311 C, profile cylinder hole	pc.	1,560
110201.9	Bmc	Rim lock, Ri/O, 55/9 mm, DIN 81311 C, profile cylinder hole	pc.	1,560
110202.4	Bp	Rim lock, Le/O, 55/9 mm, DIN 81311 C, profile cylinder hole	pc.	1,560
110202.6	Bpc	Rim lock, Le/O, 55/9 mm, DIN 81311 C, profile cylinder hole	pc.	1,560
110202.9	Bmc	Rim lock, Le/O, 55/9 mm, DIN 81311 C, profile cylinder hole	pc.	1,560

RIM DEAD LOCKS DIN 81308 A KEY HOLE - 1144 RIM DEAD LOCKS WITH FLANGE

Rim dead locks with 9 mm spindle hole, 55mm backset

- Available surfaces: Bp, Bpc and Bmc
- 2 keys included

- With striking box or striking plate

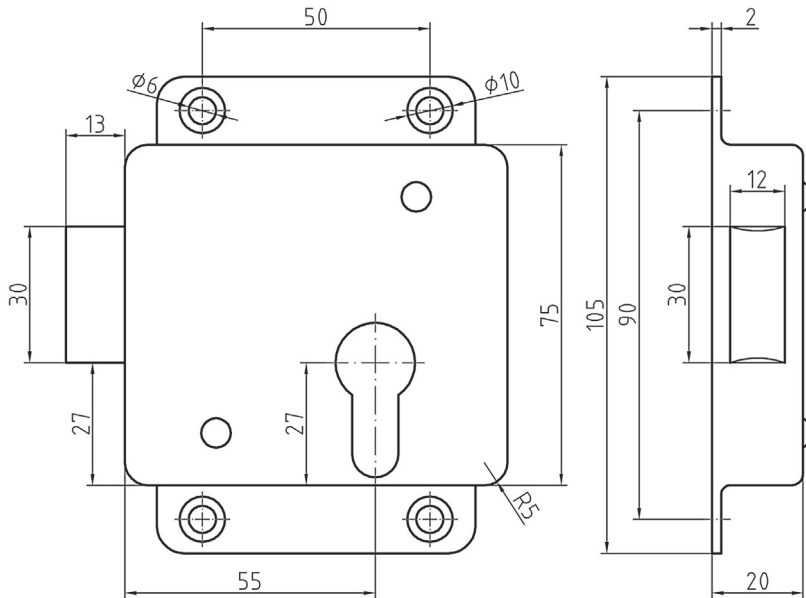


Art.code	Surface	Article description	Unit	Weight
114401.4	Bp	Rim dead lock DIN 81308 A, Ri/O, 55 mm backset, key hole	pc.	0,590
114401.6	Bpc	Rim dead lock DIN 81308 A, Ri/O, 55 mm backset, key hole	pc.	0,590
114401.9	Bmc	Rim dead lock DIN 81308 A, Ri/O, 55 mm backset, key hole	pc.	0,590
114402.4	Bp	Rim dead lock DIN 81308 A, Le/O, 55 mm backset, key hole	pc.	0,590
114402.6	Bpc	Rim dead lock DIN 81308 A, Le/O, 55 mm backset, key hole	pc.	0,590
114402.9	Bmc	Rim dead lock DIN 81308 A, Le/O, 55 mm backset, key hole	pc.	0,590
220430.4	Bp	Striking plate for dead rim locks, face plate radius R=12,5 mm	pc.	0,020
220430.6	Bpc	Striking plate for dead rim locks, face plate radius R=12,5 mm	pc.	0,020
220430.9	Bmc	Striking plate for dead rim locks, face plate radius R=12,5 mm	pc.	0,020
222400.4	Bp	Striking box for dead rim locks, face plate radius R=12,5 mm	pc.	0,095
222400.6	Bpc	Striking box for dead rim locks, face plate radius R=12,5 mm	pc.	0,095
222400.9	Bmc	Striking box for dead rim locks, face plate radius R=12,5 mm	pc.	0,095

RIM DEAD LOCKS DIN 81308 B PROFILE CYLINDER HOLE - 1145 RIM DEAD LOCKS WITH FLANGE

Rim dead lock with 9 mm spindle hole, 55mm backset

- Available surfaces: Bp, Bpc and Bmc



Art.code	Surface	Article description	Unit	Weight
114501.4	Bp	Rim dead lock DIN 81308 B, Ri/O, 55 mm backset, profile cylinder hole	pc.	0,590
114501.6	Bpc	Rim dead lock DIN 81308 B, Ri/O, 55 mm backset, profile cylinder hole	pc.	0,590
114501.9	Bmc	Rim dead lock DIN 81308 B, Ri/O, 55 mm backset, profile cylinder hole	pc.	0,590
114502.4	Bp	Rim dead lock DIN 81308 B, Ri/O, 55 mm backset, profile cylinder hole	pc.	0,590
114502.6	Bpc	Rim dead lock DIN 81308 B, Ri/O, 55 mm backset, profile cylinder hole	pc.	0,590
114502.9	Bmc	Rim dead lock DIN 81308 B, Ri/O, 55 mm backset, profile cylinder hole	pc.	0,590
220430.9	Bmc	Striking plate for dead rim locks, face plate radius R=12,5 mm	pc.	0,020
222400.9	Bmc	Striking box for dead rim locks, face plate radius R=12,5 mm	pc.	0,095

DOOR HANDLES FOR MORTISE LOCKS - HANDLES FOR DOOR THICKNESS 28-71 MM

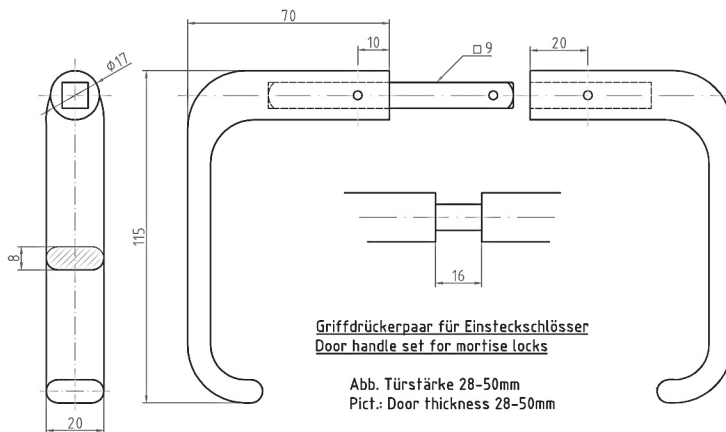
Brass Ms 63

- Available surfaces: Bp, Bpc and Bmc
- Application for door thickness 28-71 mm

• Please indicate door thickness



171009.4



Art.code	Surface	Article description	Unit	Weight
171009.4	Bp	Door handles for mortise lock, door thickness 28-50 mm	pc.	0,570
171009.6	Bpc	Door handles for mortise lock, door thickness 28-50 mm	pc.	0,570
171009.9	Bmc	Door handles for mortise lock, door thickness 28-50 mm	pc.	0,570
171096.4	Bp	Door handles for mortise lock, door thickness 48-71 mm	pc.	0,580
171096.6	Bpc	Door handles for mortise lock, door thickness 48-71 mm	pc.	0,580
171096.9	Bmc	Door handles for mortise lock, door thickness 48-71 mm	pc.	0,580

DOOR HANDLES FOR RIM LOCKS - HANDLES FOR DOOR THICKNESS 28-71 MM

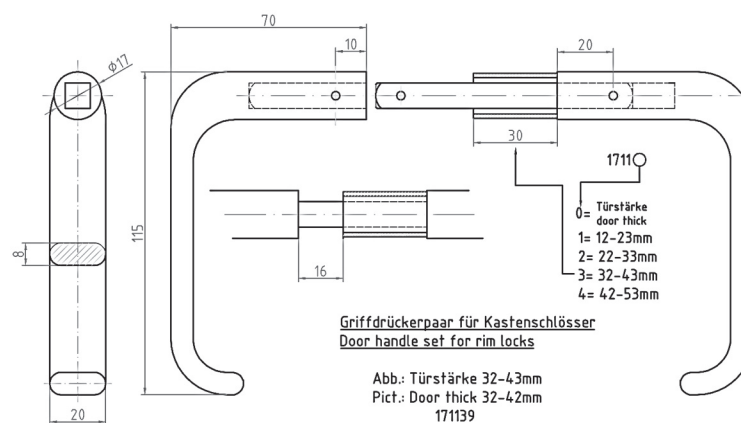
Brass Ms 63

- Available surfaces: Bp, Bpc and Bmc
- For rim locks up to door thickness 73 mm

• Please indicate door thickness on the order



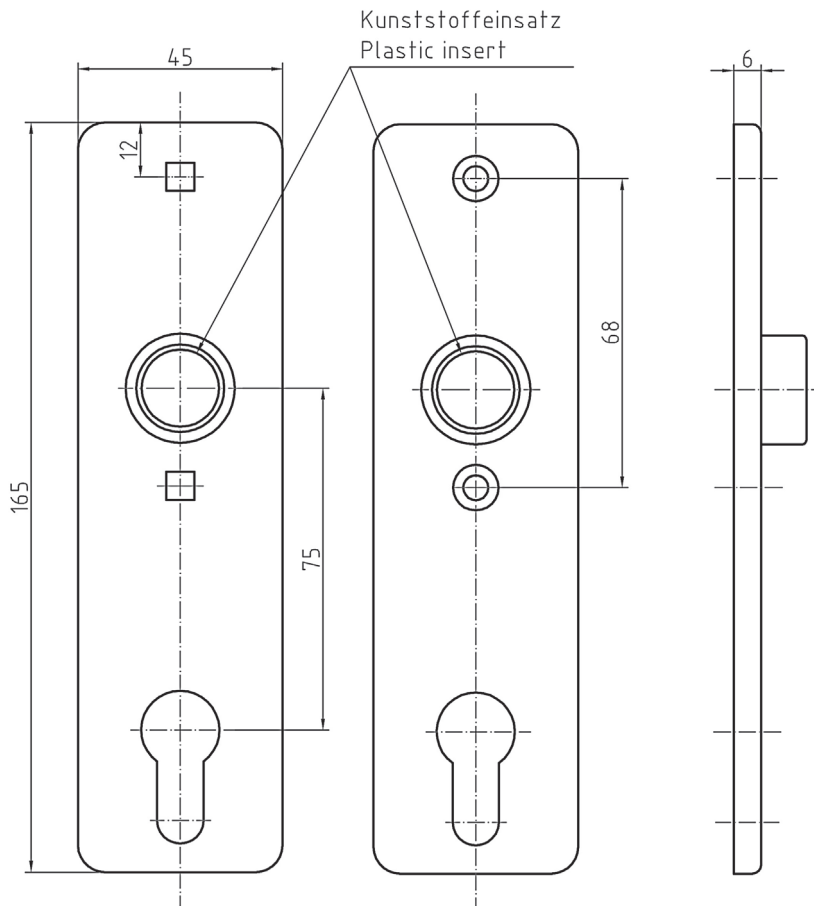
171139.4



Art.code	Surface	Article description	Unit	Weight
171139.4	Bp	Door handle set for rim lock, door thickness 32-43 mm	pc.	0,620
171139.6	Bpc	Door handle set for rim lock, door thickness 32-43 mm	pc.	0,620
171139.9	Bmc	Door handle set for rim lock, door thickness 32-43 mm	pc.	0,620
171169.4	Bp	Door handle set for rim lock, door thickness 62-71 mm	pc.	0,620
171169.6	Bpc	Door handle set for rim lock, door thickness 62-71 mm	pc.	0,620
171169.9	Bmc	Door handle set for rim lock, door thickness 62-71 mm	pc.	0,620

ESCUTCHEONS 165X45 MM - ESCUTCHEONS 165X45 MM - BLIND, KEY HOLE, PROFILE CYLINDER HOLE

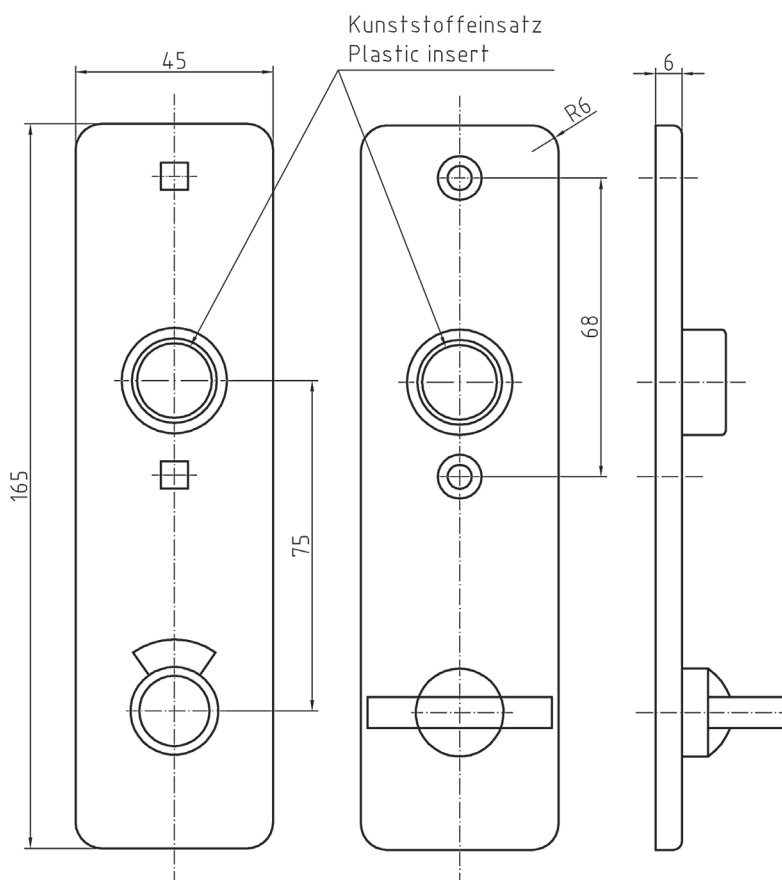
- Available surfaces: Bp, Bpc and Bmc
- Distance 72 mm on request
- Escutcheon plates also available single with round or square hole



Art.code	Surface	Article description	Unit	Weight
183010.4	Bp	Escutcheon plates 165x45 mm, blind version	pc.	0,250
183010.6	Bpc	Escutcheon plates 165x45 mm, blind version	pc.	0,250
183010.9	Bmc	Escutcheon plates 165x45 mm, blind version	pc.	0,250
183011.4	Bp	Escutcheon plates 165x45 mm, key hole, distance 75 mm	pc.	0,250
183011.6	Bpc	Escutcheon plates 165x45 mm, key hole, distance 75 mm	pc.	0,250
183011.9	Bmc	Escutcheon plates 165x45 mm, key hole, distance 75 mm	pc.	0,250
183012.4	Bp	Escutcheon plates 165x45 mm, profile cylinder hole, distance 75 mm	pc.	0,250
183012.6	Bpc	Escutcheon plates 165x45 mm, profile cylinder hole, distance 75 mm	pc.	0,250
183012.9	Bmc	Escutcheon plates 165x45 mm, profile cylinder hole, distance 75 mm	pc.	0,250

ESCUTCHEONS FOR LAVATORY - ESCUTCHEONS 165X45 MM LAVATORY VERSION

- Available surfaces: Bp, Bpc and Bmc

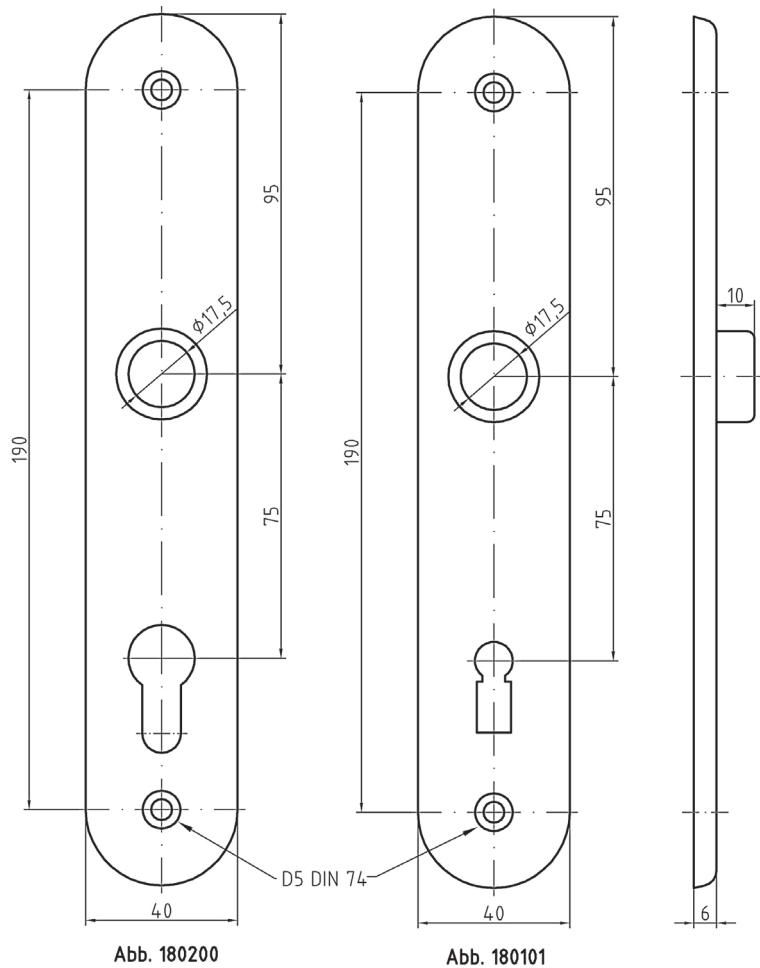


Art.code	Surface	Article description	Unit	Weight
188011.4	Bp	Escutcheon plate lavatory version red/green sign	pair	0,125
188011.6	Bpc	Escutcheon plate lavatory version red/green sign	pair	0,125
188011.9	Bmc	Escutcheon plate lavatory version red/green sign	pair	0,125
188012.4	Bp	Escutcheon plate lavatory with brass olive	pair	0,200
188012.6	Bpc	Escutcheon plate lavatory with brass olive	pair	0,200
188012.9	Bmc	Escutcheon plate lavatory with brass olive	pair	0,200
183512.4	Bp	Escutcheon plate 165x45 mm, with cover plate 12 mm	pair	0,150
183512.6	Bpc	Escutcheon plate 165x45 mm, with cover plate 12 mm	pair	0,150
183512.9	Bmc	Escutcheon plate 165x45 mm, with cover plate 12 mm	pair	0,150
183511.4	Bp	Escutcheon plate 165x45 mm, with coverplate for key hole	pair	0,150
183511.6	Bpc	Escutcheon plate 165x45 mm, with coverplate for key hole	pair	0,150
183511.9	Bmc	Escutcheon plate 165x45 mm, with coverplate for key hole	pair	0,150

ESCUTCHEONS LONG 230 MM - ESCUTCHEONS 230 MM

- Available surfaces: Bp, Bpc and Bmc
- Distance 72 mm on request

- Profile cylinder version extendable with brass or stainless steel coverplate

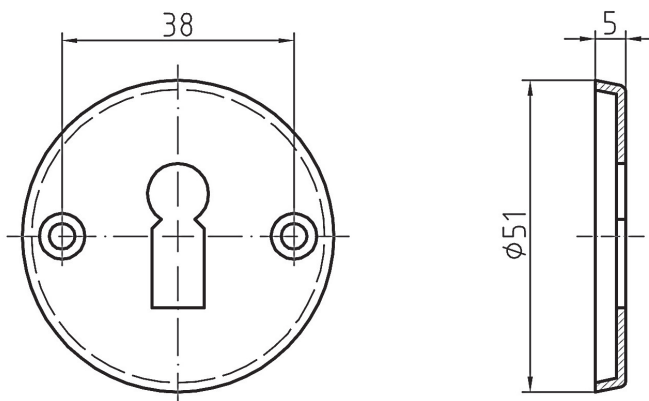


Art.code	Surface	Article description	Unit	Weight
180001.4	Bp	Escutcheon plate round 230 mm, privacy version with red-green sign	pc.	0,130
180001.6	Bpc	Escutcheon plate round 230 mm, privacy version with red-green sign	pc.	0,130
180001.9	Bmc	Escutcheon plate round 230 mm, privacy version with red-green sign	pc.	0,130
180002.4	Bp	Escutcheon plate round 230 mm, privacy version with olive	pc.	0,130
180002.6	Bpc	Escutcheon plate round 230 mm, privacy version with olive	pc.	0,130
180002.9	Bmc	Escutcheon plate round 230 mm, privacy version with olive	pc.	0,130
180101.4	Bp	Escutcheon plate round 230 mm, key hole	pc.	0,130
180101.6	Bpc	Escutcheon plate round 230 mm, key hole	pc.	0,130
180101.9	Bmc	Escutcheon plate round 230 mm, key hole	pc.	0,130
180200.4	Bp	Escutcheon plate round 230 mm, profile cylinder hole	pc.	0,130
180200.6	Bpc	Escutcheon plate round 230 mm, profile cylinder hole	pc.	0,130
180200.9	Bmc	Escutcheon plate round 230 mm, profile cylinder hole	pc.	0,130
180300.4	Bp	Escutcheon plate, 230 mm round, blind version	pc.	0,140
180300.6	Bpc	Escutcheon plate, 230 mm round, blind version	pc.	0,140
180300.9	Bmc	Escutcheon plate, 230 mm round, blind version	pc.	0,140
180202.4	Bp	Escutcheon plate round 230 mm, with S/S coverplate 12 mm	pc.	0,130
180202.6	Bpc	Escutcheon plate round 230 mm, with S/S coverplate 12 mm	pc.	0,130
180202.9	Bmc	Escutcheon plate round 230 mm, with S/S coverplate 12 mm	pc.	0,130

ESCUTCHEONS ROUND WITH KEY HOLE - ESCUTCHEONS RD 51 MM

• Available surfaces: Bp, Bpc and Bmc

• Also available with coverplate and as blind version

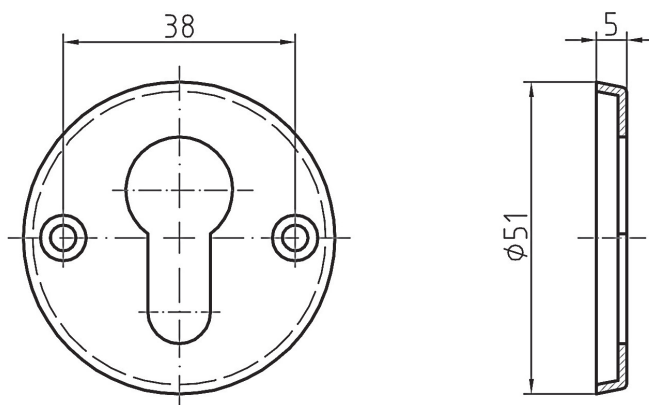


Art.code	Surface	Article description	Unit	Weight
190401.4	Bp	Escutcheon plate round key hole, for countersunk screws	pc.	0,025
190401.6	Bpc	Escutcheon plate round key hole, for countersunk screws	pc.	0,025
190401.9	Bmc	Escutcheon plate round key hole, for countersunk screws	pc.	0,025
190402.4	Bp	Escutcheon plate round key hole, for countersunk screws with coverplate	pc.	0,028
190402.6	Bpc	Escutcheon plate round key hole, for countersunk screws with coverplate	pc.	0,028
190402.9	Bmc	Escutcheon plate round key hole, for countersunk screws with coverplate	pc.	0,028
190410.4	Bp	Escutcheon plate pair Rd 51 mm, key hole, with fixing screws M5x45 mm	pc.	0,055
190410.6	Bpc	Escutcheon plate pair Rd 51 mm, key hole, with fixing screws M5x45 mm	pc.	0,055
190410.9	Bmc	Escutcheon plate pair Rd 51 mm, key hole, with fixing screws M5x45 mm	pc.	0,055
190700.4	Bp	Escutcheon plate key hole set (2 parts) for invisible screw fixation	pc.	0,100
190700.6	Bpc	Escutcheon plate key hole set (2 parts) for invisible screw fixation	pc.	0,100
190700.9	Bmc	Escutcheon plate key hole set (2 parts) for invisible screw fixation	pc.	0,100

ESCUTCHEONS ROUND WITH PROFILE CYLINDER HOLE - ESCUTCHEONS RD 51 MM

• Available surfaces: Bp, Bpc and Bmc

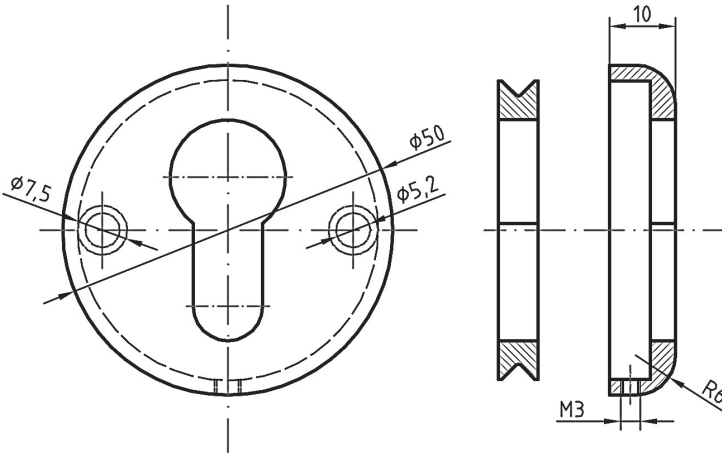
• Also available as blind version



Art.code	Surface	Article description	Unit	Weight
190200.4	Bp	Escutcheon plate round profile cylinder hole, for countersunk screws	pc.	0,025
190200.6	Bpc	Escutcheon plate round profile cylinder hole, for countersunk screws	pc.	0,025
190200.9	Bmc	Escutcheon plate round profile cylinder hole, for countersunk screws	pc.	0,025
190210.4	Bp	Escutcheon plate pair round profile cylinder hole DIN 81316 with fixing screws M5x45 mm	pc.	0,043
190210.6	Bpc	Escutcheon plate pair round profile cylinder hole DIN 81316 with fixing screws M5x45 mm	pc.	0,043
190210.9	Bmc	Escutcheon plate pair round profile cylinder hole DIN 81316 with fixing screws M5x45 mm	pc.	0,043

ESCUTCHEONS ROUND WITH PROFILE CYLINDER HOLE - ESCUTCHEONS RD 51 MM INVISIBLE FIXATION

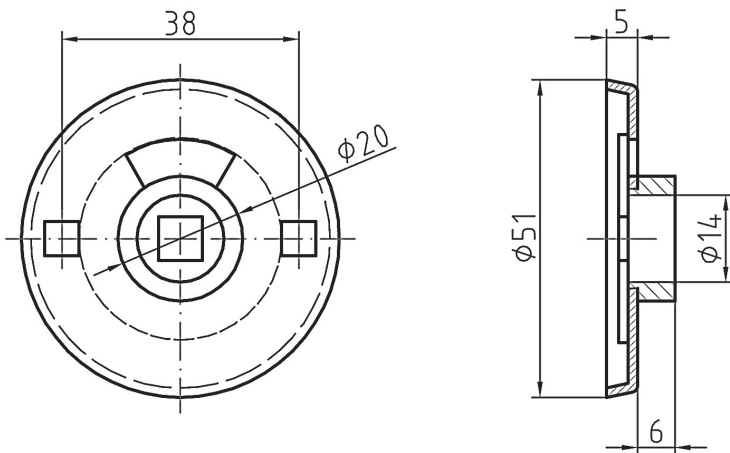
- With invisible screw fixation
- Available surfaces: Bp, Bpc and Bmc
- Also available as blind version



Art.code	Surface	Article description	Unit	Weight
190600.4	Bp	Escutcheon plate set (2 parts) for invisible screw fixation	pc.	0,095
190600.6	Bpc	Escutcheon plate set (2 parts) for invisible screw fixation	pc.	0,095
190600.9	Bmc	Escutcheon plate set (2 parts) for invisible screw fixation	pc.	0,095

ESCUTCHEONS ROUND FOR LAVATORY - ESCUTCHEONS FOR LAVATORY RD 51 MM

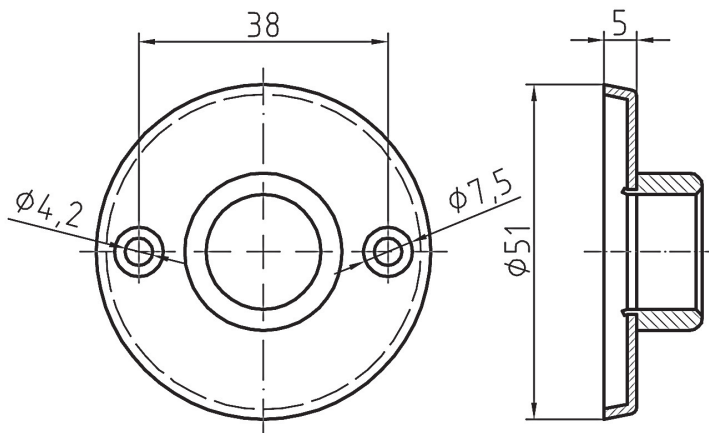
- Available surfaces: Bp, Bpc and Bmc



Art.code	Surface	Article description	Unit	Weight
190001.4	Bp	Escutcheon plate rd lavatory outside with red green sign, for countersunk screws	pc.	0,035
190001.6	Bpc	Escutcheon plate rd lavatory outside with red green sign, for countersunk screws	pc.	0,035
190001.9	Bmc	Escutcheon plate rd lavatory outside with red green sign, for countersunk screws	pc.	0,035
190002.4	Bp	Escutcheon plate round lavatory inside with olive, for countersunk screws	pc.	0,119
190002.6	Bpc	Escutcheon plate round lavatory inside with olive, for countersunk screws	pc.	0,119
190002.9	Bmc	Escutcheon plate round lavatory inside with olive, for countersunk screws	pc.	0,119
190011.4	Bp	Escutcheon plate round lavatory outside with red green sign	pc.	0,035
190011.6	Bpc	Escutcheon plate round lavatory outside with red green sign	pc.	0,035
190011.9	Bmc	Escutcheon plate round lavatory outside with red green sign	pc.	0,035
190012.4	Bp	Escutcheon plate round lavatory inside with olive, for countersunk screws	pc.	0,126
190012.6	Bpc	Escutcheon plate round lavatory inside with olive, for countersunk screws	pc.	0,126
190012.9	Bmc	Escutcheon plate round lavatory inside with olive, for countersunk screws	pc.	0,126

HANDLE ROSETTES - HANDLE ROSETTES RD 51 MM

- Available surfaces: Bp, Bpc and Bmc

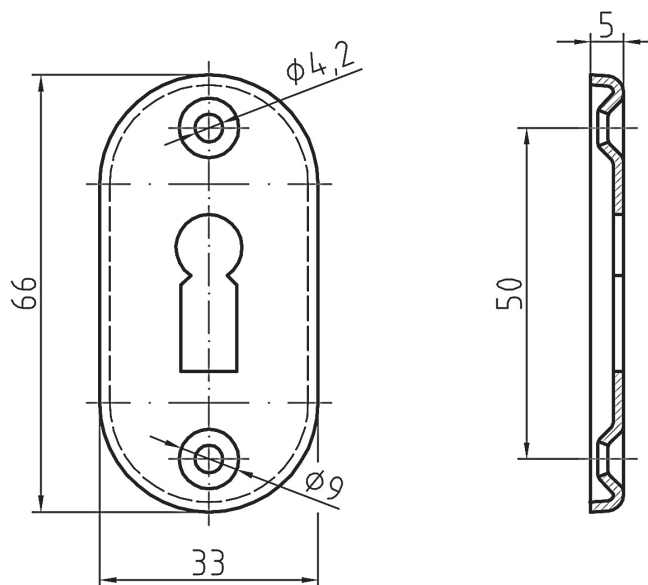


Art.code	Surface	Article description	Unit	Weight
190300.4	Bp	Roset Rd 51 mm for countersunk screws	pc.	0,044
190300.6	Bpc	Roset Rd 51 mm for countersunk screws	pc.	0,044
190300.9	Bmc	Roset Rd 51 mm for countersunk screws	pc.	0,044
190310.4	Bp	Handle roset pair Rd 51 mm with fixing screws M5x45 mm	pc.	0,074
190310.6	Bpc	Handle roset pair Rd 51 mm with fixing screws M5x45 mm	pc.	0,074
190310.9	Bmc	Handle roset pair Rd 51 mm with fixing screws M5x45 mm	pc.	0,074

ESCUTCHEONS FOR KEYHOLES - ESCUTCHEONS 66X33 MM

- Available surfaces: Bp, Bpc and Bmc

- For key hole and profile cylinder version

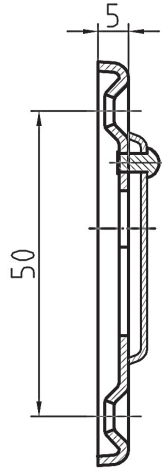
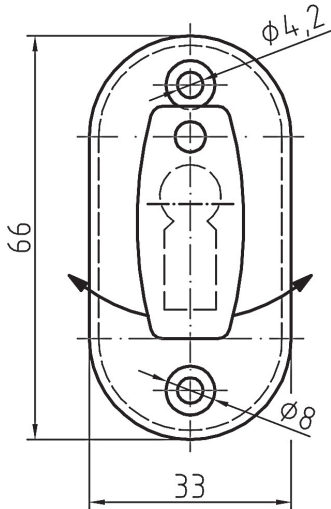


Art.code	Surface	Article description	Unit	Weight
192501.4	Bp	Escutcheon with key hole 66x33 mm	pc.	0,027
192501.6	Bpc	Escutcheon with key hole 66x33 mm	pc.	0,027
192501.9	Bmc	Escutcheon with key hole 66x33 mm	pc.	0,027

ESCUTCHEONS FOR KEYHOLES WITH COVERPLATE - ESCUTCHEONS WITH KEY HOLE WITH COVERPLATE 66X33 MM

• Available surfaces: Bp, Bpc and Bmc

• For key hole and profile cylinder version

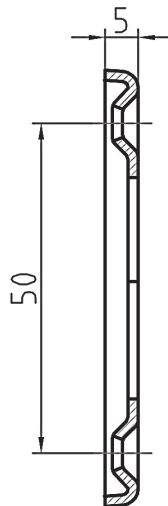
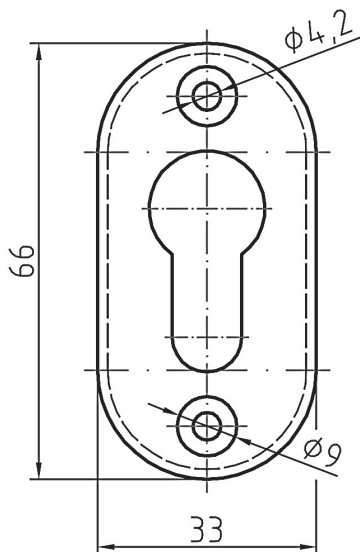


Art.code	Surface	Article description	Unit	Weight
192502.4	Bp	Escutcheon with key hole with coverplate 66x33 mm	pc.	0,033
192502.6	Bpc	Escutcheon with key hole with coverplate 66x33 mm	pc.	0,033
192502.9	Bmc	Escutcheon with key hole with coverplate 66x33 mm	pc.	0,033

ESCUTCHEONS FOR PROFILE CYLINDER HOLES - ESCUTCHEONS WITH PROFILE CYLINDER HOLES 66X33 MM

• Available surfaces: Bp, Bpc and Bmc

• For key hole and profile cylinder version

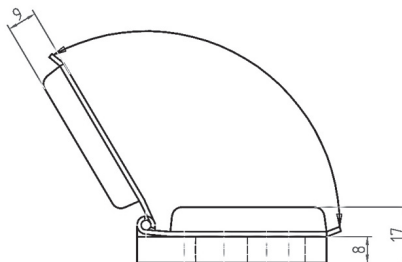
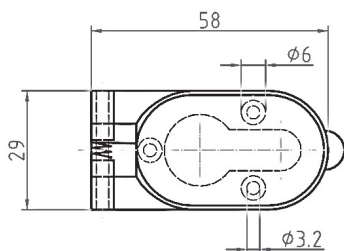


Art.code	Surface	Article description	Unit	Weight
192401.4	Bp	Escutcheon with profile cylinder hole 66x33 mm	pc.	0,024
192401.6	Bpc	Escutcheon with profile cylinder hole 66x33 mm	pc.	0,024
192401.9	Bmc	Escutcheon with profile cylinder hole 66x33 mm	pc.	0,024

PROFILE CYLINDER COVER PLATES - COVERPLATE 17 MM HEIGHT BRASS

• Available surfaces: Bp, Bpc and Bmc

• Delivered with screws and nuts



Art.code	Surface	Article description	Unit	Weight
183598.4	Bp	Cover plate with screws and nuts, 17 mm height	pc.	0,085
183598.6	Bpc	Cover plate with screws and nuts, 17 mm height	pc.	0,085
183598.9	Bmc	Cover plate with screws and nuts, 17 mm height	pc.	0,085

ATTACHMENTS - FIXING SCREWS FOR ESCUTCHEON PLATES

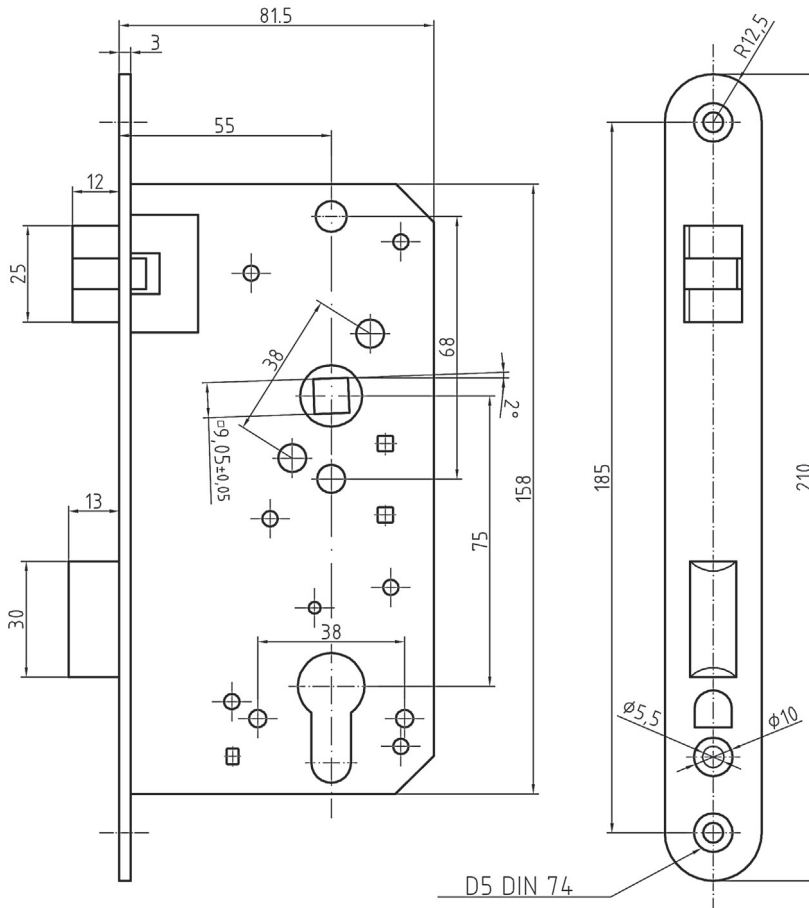


Art.code	Surface	Article description	Unit	Weight
209945.4	Bp	Fixing screw with nut M5x45 mm for escutcheon plates	pc.	0,010
209945.6	Bpc	Fixing screw with nut M5x45 mm for escutcheon plates	pc.	0,010
209945.9	Bmc	Fixing screw with nut M5x45 mm for escutcheon plates	pc.	0,010
209975.4	Bp	Fixing screw with nut M5x75 mm for escutcheon plates	pc.	0,015
209975.6	Bpc	Fixing screw with nut M5x75 mm for escutcheon plates	pc.	0,015
209975.9	Bmc	Fixing screw with nut M5x75 mm for escutcheon plates	pc.	0,015
209966.4	Bp	Adjustable fixing screw M5x66 mm, 6 distances, 7 times divisible	pc.	0,008
209966.6	Bpc	Adjustable fixing screw M5x66 mm, 6 distances, 7 times divisible	pc.	0,008
209966.9	Bmc	Adjustable fixing screw M5x66 mm, 6 distances, 7 times divisible	pc.	0,008

MORTISE LOCKS DIN 81301 PROFILE CYLINDER HOLE - MORTISE LOCKS DIN 81301

Mortise locks with 9 mm spindle hole, 55mm backset, distance 75 mm

- Face plate silk brushed or polished
- With solid or triple latch bolt
- With change system on request



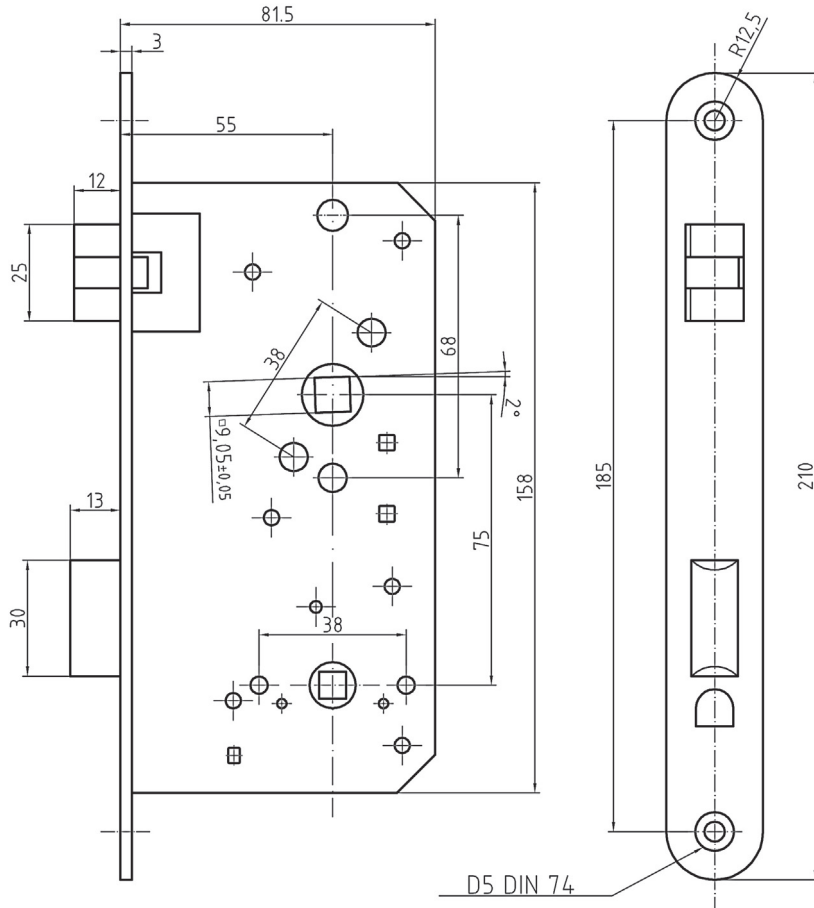
N-101232

Art.code	Surface	Article description	Unit	Weight
N-100231	S/S brushed	Mortise profile cylinder lock, DIN 81301 B, right, solid latch bolt	pc.	0,630
N-100232	S/S brushed	Mortise profile cylinder lock, DIN 81301 B, left, solid latch bolt	pc.	0,630
N-100231.4	S/S polished	Mortise profile cylinder lock, DIN 81301 B, right, solid latch bolt	pc.	0,630
N-100232.4	S/S polished	Mortise profile cylinder lock, DIN 81301 B, left, solid latch bolt	pc.	0,630
N-101231	S/S brushed	Mortise profile cylinder lock, DIN 81301 B, right, triple latch bolt	pc.	0,630
N-101232	S/S brushed	Mortise profile cylinder lock, DIN 81301 B, left, triple latch bolt	pc.	0,630
N-101231.4	S/S polished	Mortise profile cylinder lock, DIN 81301 B, right, triple latch bolt	pc.	0,630
N-101232.4	S/S polished	Mortise profile cylinder lock, DIN 81301 B, left, triple latch bolt	pc.	0,630

MORTISE LOCKS LAVATORY VERSION - MORTISE LOCK DIN 81303, LAVATORY

Mortise locks with 9 mm spindle hole, 55mm backset, distance 75 mm

- Face plate silk brushed or polished

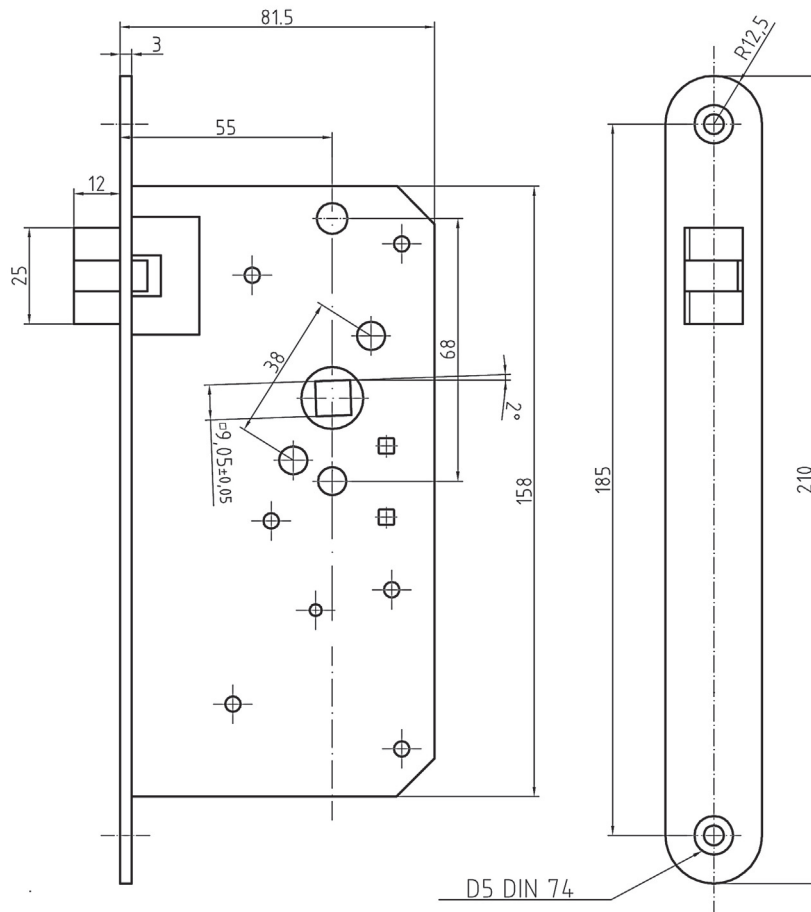


Art.code	Surface	Article description	Unit	Weight
N-100731	S/S brushed	Mortise lavatory lock DIN 81303, right, solid latch bolt	pc.	0,685
N-100732	S/S brushed	Mortise lavatory lock DIN 81303, left, solid latch bolt	pc.	0,685
N-101731	S/S brushed	Mortise lavatory lock DIN 81303 B, right, triple latch bolt	pc.	0,685
N-101732	S/S brushed	Mortise lavatory lock DIN 81303 B, left, triple latch bolt	pc.	0,685
N-101731.4	S/S polished	Mortise lavatory lock DIN 81303 B, right, triple latch bolt	pc.	0,685
N-101732.4	S/S polished	Mortise lavatory lock DIN 81303 B, left, triple latch bolt	pc.	0,685

MORTISE CATCH LOCKS - MORTISE CATCH LOCKS BACKSET 55 MM

Mortise locks with 9 mm spindle hole, 55mm backset

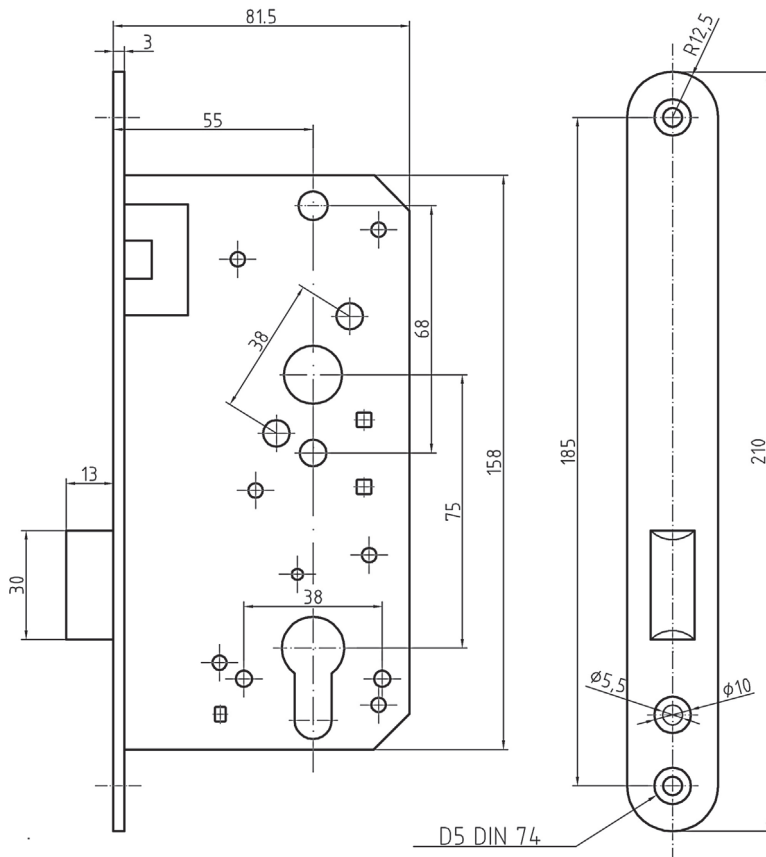
- Face plate silk brushed or polished



Art.code	Surface	Article description	Unit	Weight
N-100631	S/S brushed	Mortise catch lock, right, solid latch bolt	pc.	0,630
N-100632	S/S brushed	Mortise catch lock, left, solid latch bolt	pc.	0,630
N-101631	S/S brushed	Mortise catch lock, right, triple latch bolt	pc.	0,640
N-101632	S/S brushed	Mortise catch lock, left, triple latch bolt	pc.	0,640
N-101631.4	S/S polished	Mortise catch lock, right, triple latch bolt	pc.	0,640
N-101632.4	S/S polished	Mortise catch lock, left, triple latch bolt	pc.	0,640

MORTISE DEAD LOCKS - MORTISE DEAD LOCKS BACKSET 55 MM

- Face plate silk brushed or polished

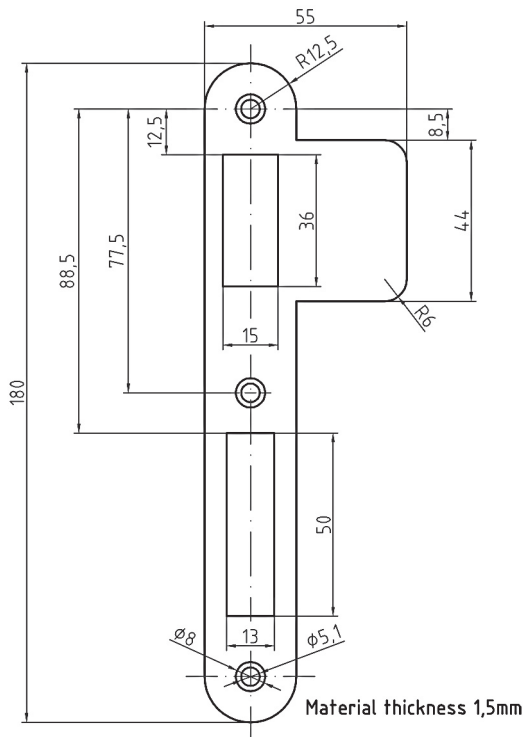
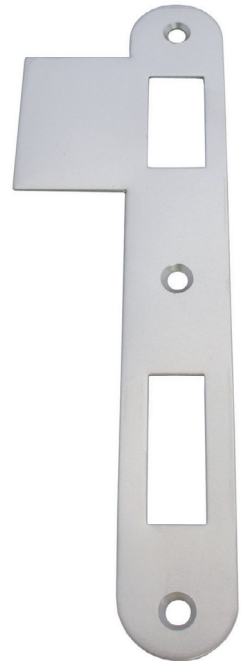


Art.code	Surface	Article description	Unit	Weight
N-105030	S/S brushed	Mortise dead lock, for right and left usage	pc.	0,520
N-105030.4	S/S polished	Mortise dead lock, for right and left usage	pc.	0,520

STRIKING PLATES - STRIKING PLATES FOR MORTISE LOCKS FOR DISTANCE 72-78 MM

Material: 1.4301

- Available surfaces: stainless steel brushed, polished or satin matt

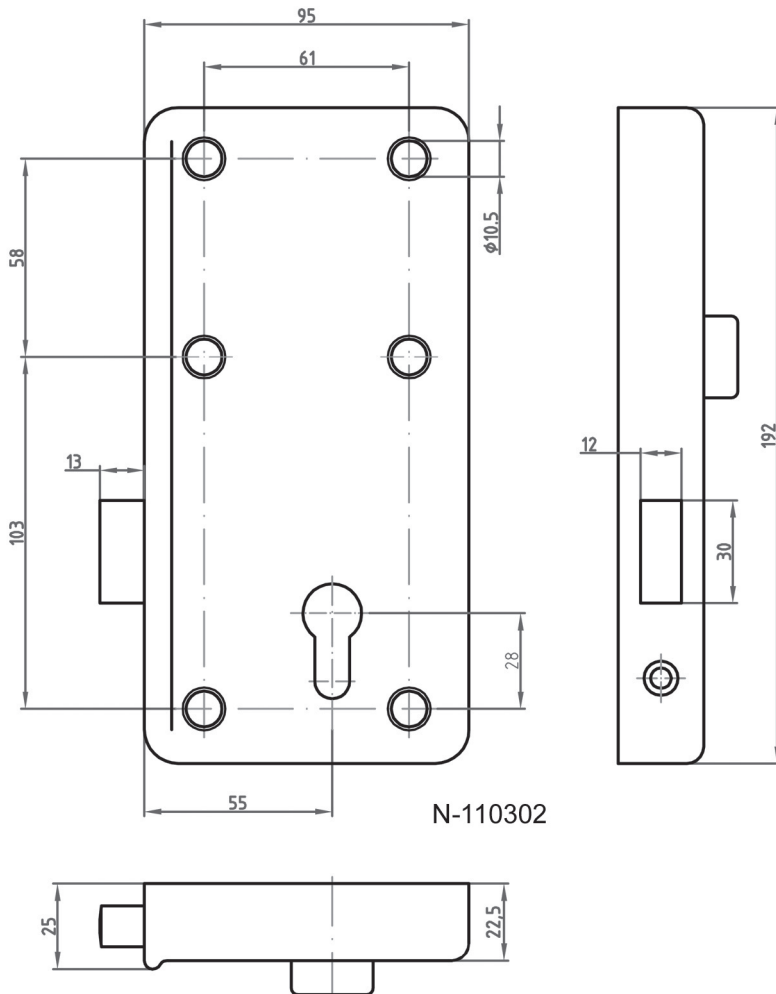


Art.code	Surface	Article description	Unit	Weight
N-220031.0	S/S brushed	Striking plate 25x1,5x180 mm, right, for mortise locks	pc.	0,045
N-220032.0	S/S brushed	Striking plate 25x1,5x180 mm, left, for mortise locks	pc.	0,045
N-220031.4	S/S polished	Striking plate 25x1,5x180 mm, right, for mortise locks	pc.	0,045
N-220032.4	S/S polished	Striking plate 25x1,5x180 mm, left, for mortise locks	pc.	0,045
N-220031.9	S/S matt	Striking plate 25x1,5x180 mm, right, for mortise locks	pc.	0,045
N-220032.9	S/S matt	Striking plate 25x1,5x180 mm, left, for mortise locks	pc.	0,045
N-220031F.0	S/S brushed	Striking plate 25x1,5x180 mm, right, for mortise catch locks	pc.	0,045
N-220032F.0	S/S brushed	Striking plate 25x1,5x180 mm, left, for mortise catch locks	pc.	0,045
N-220031F.4	S/S polished	Striking plate 25x1,5x180 mm, right, for mortise catch locks	pc.	0,045
N-220032F.4	S/S polished	Striking plate 25x1,5x180 mm, left, for mortise catch locks	pc.	0,045
N-220031F.9	S/S matt	Striking plate 25x1,5x180 mm, right, for mortise catch locks	pc.	0,045
N-220032F.9	S/S matt	Striking plate 25x1,5x180 mm, left, for mortise catch locks	pc.	0,045

RIM DEAD LOCKS STAINLESS STEEL - 1103 RIM DEAD LOCK

Dead bolt rim locks with profile cylinder hole

- Surface: Stainless steel satin matt



N-110302

Art.code	Surface	Article description	Unit	Weight
N-110301	S/S matt	Rim dead lock, right, profile cylinder hole, backset 55 mm	pc.	1,270
N-110302	S/S matt	Rim dead lock, left, profile cylinder hole, backset 55 mm	pc.	1,270

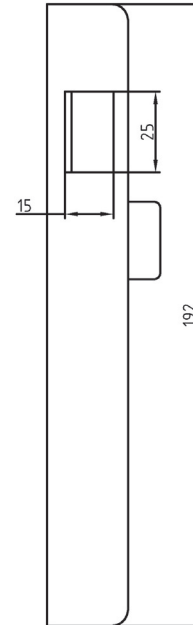
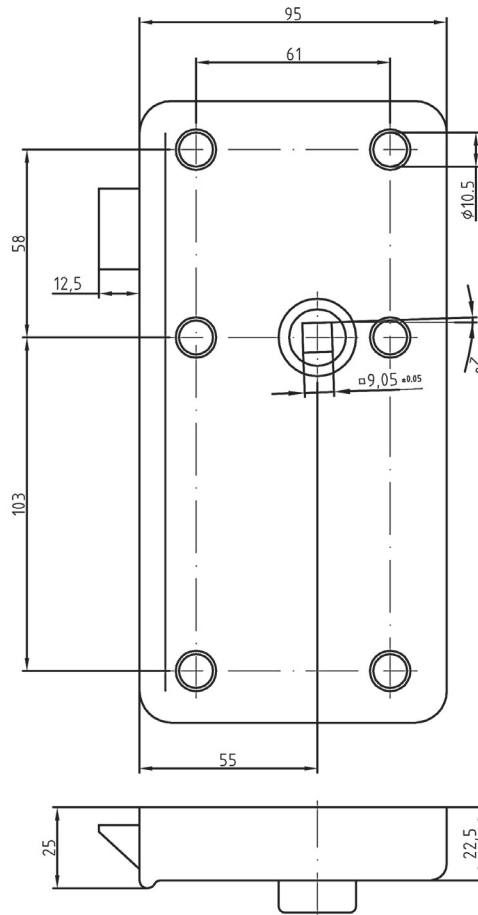
RIM CATCH LOCKS STAINLESS STEEL - 1104 RIM CATCH LOCKS

Rim catch locks without profile cylinder hole

- Surface: Stainless steel satin matt



N-110402



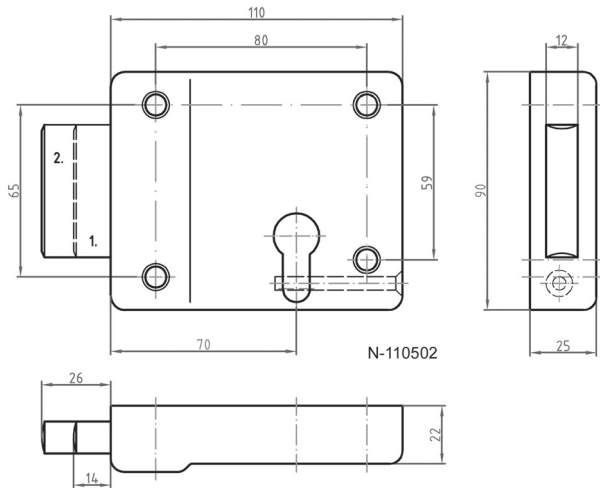
N-110402

Art.code	Surface	Article description	Unit	Weight
N-110401	S/S matt	Rim catch lock, Ri/O, backset 55 mm	pc.	1,270
N-110402	S/S matt	Rim catch lock, Le/O, backset 55 mm	pc.	1,270
N-110403	S/S matt	Rim catch lock, Ri/In, backset 55 mm	pc.	1,270
N-110404	S/S matt	Rim catch lock, Le/In, backset 55 mm	pc.	1,270

RIM LOCKS DIN 81312 C, DOUBLE TURN STAINLESS STEEL - 1105 RIM LOCKS DOUBLE TURN

Rim locks with 70 mm backset

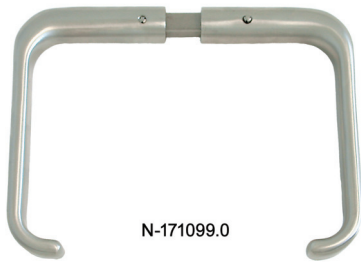
- Surface: Stainless steel satin matt



N-110502

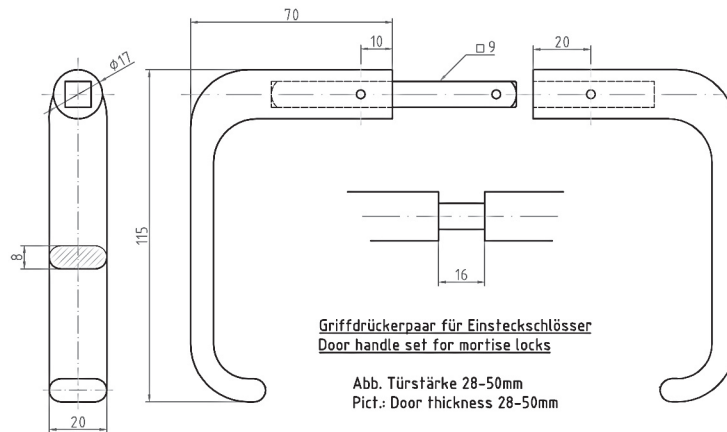
Art.code	Surface	Article description	Unit	Weight
N-110501	S/S matt	Rim lock DIN 81312 C, double turn, right, backset 70 mm	pc.	0,930
N-110502	S/S matt	Rim lock DIN 81312 C, double turn, left, backset 70 mm	pc.	0,930

DOOR HANDLES FOR MORTISE LOCKS - STAINLESS STEEL HANDLES FOR MORTISE LOCKS



N-171099.0

- Available surfaces: stainless steel brushed, polished or satin matt
- Please indicate door thickness in the order
- Application: for door thickness 28-71 mm



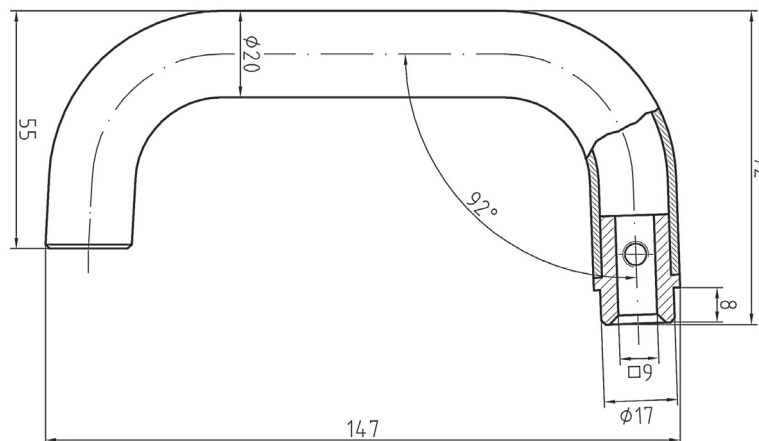
Art.code	Surface	Article description	Unit	Weight
N-171099.0	S/S brushed	Door handle set 115 mm, 9 mm spindle, door thickness 28-50 mm	pc.	0,450
N-171099.4	S/S polished	Door handle set 115 mm, 9 mm spindle, door thickness 28-50 mm	pc.	0,450
N-171099.9	S/S matt	Door handle set 115 mm, 9 mm spindle, door thickness 28-50 mm	pc.	0,450
N-171096.0	S/S brushed	Door handle set 115 mm, 9 mm spindle, door thickness 48-70 mm	pc.	0,450
N-171096.4	S/S polished	Door handle set 115 mm, 9 mm spindle, door thickness 48-70 mm	pc.	0,450
N-171096.9	S/S matt	Door handle set 115 mm, 9 mm spindle, door thickness 48-70 mm	pc.	0,450

DOOR HANDLES FOR MORTISE LOCKS - TUBULAR U-HANDLE

With rosettes for door thickness 28-71 mm



- Available surfaces: stainless steel matt, brushed or polished
- Please indicate door thickness in the order
- Complete with fixing screw set
- Handles with 8 mm spindle on request



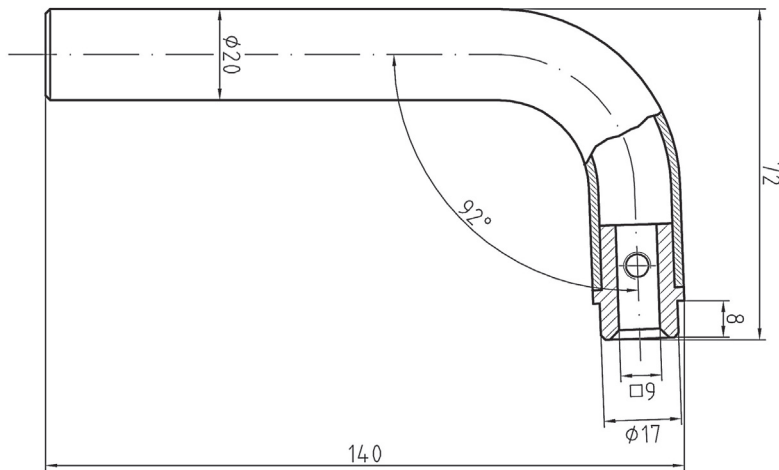
Art.code	Surface	Article description	Unit	Weight
N-171509.0	S/S brushed	Tubular door handle pair U-Form, length 145 mm with rosettes and 9 mm spindle	pc.	0,400
N-171509.4	S/S polished	Tubular door handle pair U-Form, length 145 mm with rosettes and 9 mm spindle	pc.	0,400
N-171509.9	S/S matt	Tubular door handle pair U-Form, length 145 mm with rosettes and 9 mm spindle	pc.	0,400
N-181500.0	S/S brushed	Lavatory escutcheon set round in/outside with red/green sign and olive knob, spindle 7 mm	pc.	0,200

Art.code	Surface	Article description	Unit	Weight
N-181500.4	S/S polished	Lavatory escutcheon set round in/outside with red/green sign and olive knob, spindle 7 mm	pc.	0,200
N-181500.9	S/S matt	Lavatory escutcheon set round in/outside with red/green sign and olive knob, spindle 7 mm	pc.	0,200
N-181600.0	S/S brushed	Lavatory escutcheon set round in/outside with red/green sign and olive knob, for 8 mm spindle	pc.	0,200
N-181600.4	S/S polished	Lavatory escutcheon set round in/outside with red/green sign and olive knob, for 8 mm spindle	pc.	0,200
N-181600.9	S/S matt	Lavatory escutcheon set round in/outside with red/green sign and olive knob, for 8 mm spindle	pc.	0,200
N-180209.0	S/S brushed	Profile cylinder escutcheons pair with invisible fixing holes	pc.	0,100
N-180209.4	S/S polished	Profile cylinder escutcheons pair with invisible fixing holes	pc.	0,100
N-180209.9	S/S matt	Profile cylinder escutcheons pair with invisible fixing holes	pc.	0,100

DOOR HANDLES FOR MORTISE LOCKS - TUBULAR L-HANDLES

Door thickness 28-71 mm

- Available surfaces: stainless steel brushed, polished or satin matt
- Complete with fixing screw set
- Please indicate door thickness in the order
- Handles with 8 mm spindle on request



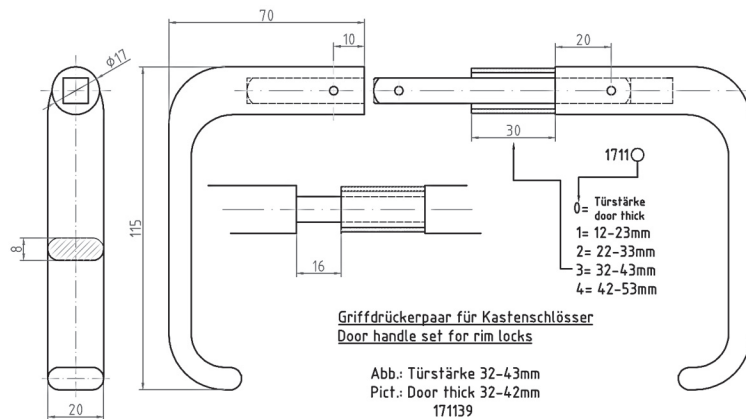
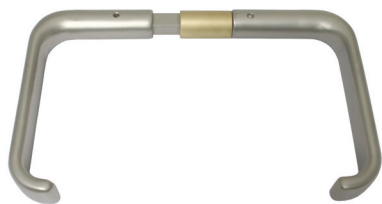
Art.code	Surface	Article description	Unit	Weight
N-171809.0	S/S brushed	Tubular door handle pair L-Form, length 140 mm with rosets and 9 mm spindle	pc.	0,330
N-171809.4	S/S polished	Tubular door handle pair L-Form, length 140 mm with rosets and 9 mm spindle	pc.	0,330
N-171809.9	S/S matt	Tubular door handle pair L-Form, length 140 mm with rosets and 9 mm spindle	pc.	0,330
N-181500.0	S/S brushed	Lavatory escutcheon set round in/outside with red/green sign and olive knob, spindle 7 mm	pc.	0,200
N-181500.4	S/S polished	Lavatory escutcheon set round in/outside with red/green sign and olive knob, spindle 7 mm	pc.	0,200
N-181500.9	S/S matt	Lavatory escutcheon set round in/outside with red/green sign and olive knob, spindle 7 mm	pc.	0,125
N-181600.0	S/S brushed	Lavatory escutcheon set round in/outside with red/green sign and olive knob, for 8 mm spindle	pc.	0,200
N-181600.4	S/S polished	Lavatory escutcheon set round in/outside with red/green sign and olive knob, for 8 mm spindle	pc.	0,200
N-181600.9	S/S matt	Lavatory escutcheon set round in/outside with red/green sign and olive knob, for 8 mm spindle	pc.	0,200
N-180209.0	S/S brushed	Profile cylinder escutcheons pair with invisible fixing holes	pc.	0,100
N-180209.4	S/S polished	Profile cylinder escutcheons pair with invisible fixing holes	pc.	0,100
N-180209.9	S/S matt	Profile cylinder escutcheons pair with invisible fixing holes	pc.	0,100

DOOR HANDLES FOR RIM LOCKS DIN 81317 E - HANDLES FOR RIM LOCKS

Door thickness 12-53 mm

• Available surfaces: stainless steel brushed, polished or satin matt

• Please indicate door thickness on the order
• For rim locks: door thickness 12-53 mm



Art.code	Surface	Article description	Unit	Weight
N-171139.0	S/S brushed	Door handle set 115 mm DIN 81317 E for rim lock, 9 mm spindle, door thickness 32-43 mm	pc.	0,500
N-171139.4	S/S polished	Door handle set 115 mm DIN 81317 E for rim lock, 9 mm spindle, door thickness 32-43 mm	pc.	0,500
N-171139.9	S/S matt	Door handle set 115 mm DIN 81317 E for rim lock, 9 mm spindle, door thickness 32-43 mm	pc.	0,500
N-171149.0	S/S brushed	Door handle set 115 mm DIN 81317 E for rim lock, 9 mm spindle, door thickness 42-53 mm	pc.	0,510
N-171149.4	S/S polished	Door handle set 115 mm DIN 81317 E for rim lock, 9 mm spindle, door thickness 42-53 mm	pc.	0,510
N-171149.9	S/S matt	Door handle set 115 mm DIN 81317 E for rim lock, 9 mm spindle, door thickness 42-53 mm	pc.	0,510
N-171169.0	S/S brushed	Door handle set 115 mm DIN 81317 E for rim lock, 9 mm spindle, door thickness 62-73 mm	pc.	0,530
N-171169.4	S/S polished	Door handle set 115 mm DIN 81317 E for rim lock, 9 mm spindle, door thickness 62-73 mm	pc.	0,530
N-171169.9	S/S matt	Door handle set 115 mm DIN 81317 E for rim lock, 9 mm spindle, door thickness 62-73 mm	pc.	0,530

LONG ESCUTCHEONS 230 MM - ESCUTCHEONS RD 230 MM

- Available surfaces: stainless steel brushed, polished or satin matt
- Distance 72 on request
- Profile cylinder version also available with stainless steel coverplate 12/17 mm

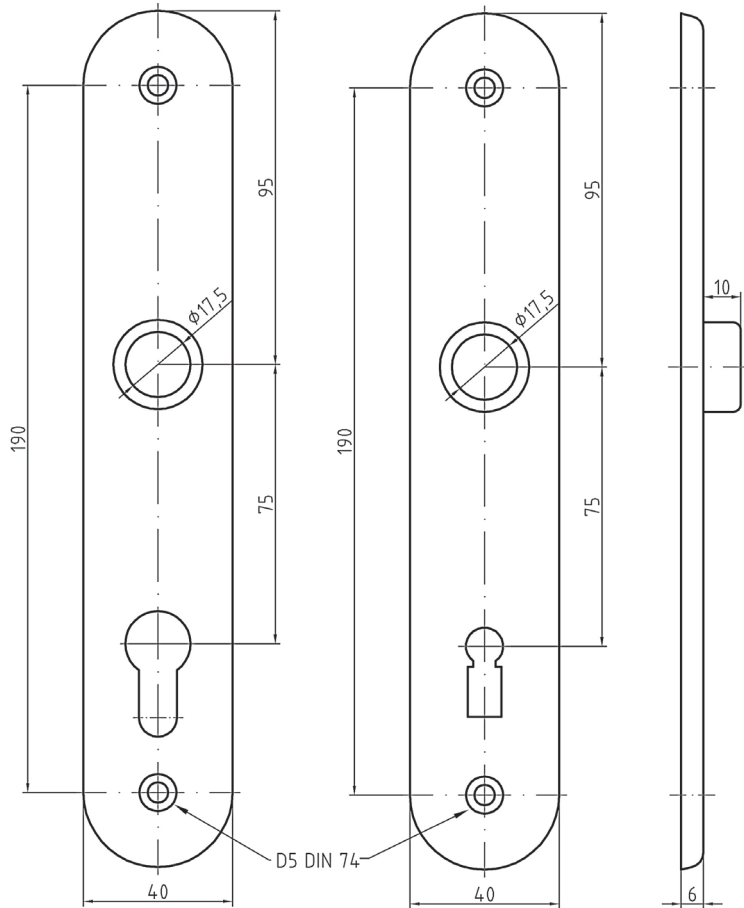


Abb. 180200

Abb. 180101



N-180200.4

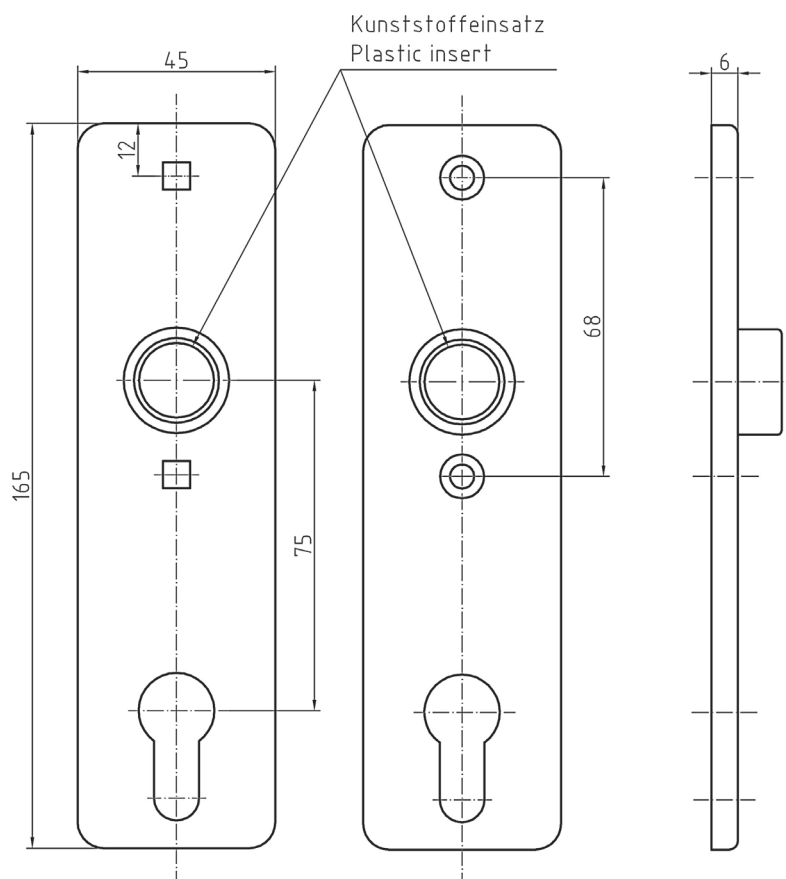
Art.code	Surface	Article description	Unit	Weight
N-180001.0	S/S brushed	Escutcheon plate 230 mm round, lavatory version with red-green sign, distance 75 mm	pc.	0,130
N-180001.4	S/S polished	Escutcheon plate 230 mm round, lavatory version with red-green sign, distance 75 mm	pc.	0,130
N-180001.9	S/S matt	Escutcheon plate 230 mm round, lavatory version with red-green sign, distance 75 mm	pc.	0,130
N-180002.0	S/S brushed	Escutcheon plate 230 mm round, lavatory version with brass olive, distance 75 mm	pc.	0,130
N-180002.4	S/S polished	Escutcheon plate 230 mm round, lavatory version with brass olive, distance 75 mm	pc.	0,130
N-180002.9	S/S matt	Escutcheon plate 230 mm round, lavatory version with brass olive, distance 75 mm	pc.	0,130
N-180101.0	S/S brushed	Escutcheon plate 230 mm round, key hole, distance 75 mm	pc.	0,130
N-180101.4	S/S polished	Escutcheon plate 230 mm round, key hole, distance 75 mm	pc.	0,130
N-180101.9	S/S matt	Escutcheon plate 230 mm round, key hole, distance 75 mm	pc.	0,130
N-180200.0	S/S brushed	Escutcheon plate 230 mm, profile cylinder hole, distance 75 mm	pc.	0,130
N-180200.4	S/S polished	Escutcheon plate 230 mm, profile cylinder hole, distance 75 mm	pc.	0,130
N-180200.9	S/S matt	Escutcheon plate 230 mm, profile cylinder hole, distance 75 mm	pc.	0,130
N-180300.0	S/S brushed	Escutcheon single plate, 230 mm, blind version	pc.	0,140
N-180300.4	S/S polished	Escutcheon single plate, 230 mm, blind version	pc.	0,140
N-180300.9	S/S matt	Escutcheon single plate, 230 mm, blind version	pc.	0,140
N-180202.0	S/S brushed	Escutcheon single plate, 230 mm, with stainless steel coverplate 12 mm, distance 75 mm	pc.	0,130
N-180202.4	S/S polished	Escutcheon single plate, 230 mm, with stainless steel coverplate 12 mm, distance 75 mm	pc.	0,130
N-180202.9	S/S matt	Escutcheon single plate, 230 mm, with stainless steel coverplate 12 mm, distance 75 mm	pc.	0,130

ESCUTCHEONS ANGULAR - ESCUTCHEONS 165X45 MM

Escutcheon plates 165x45 mm are delivered completely with PE roset insert, screws and nuts



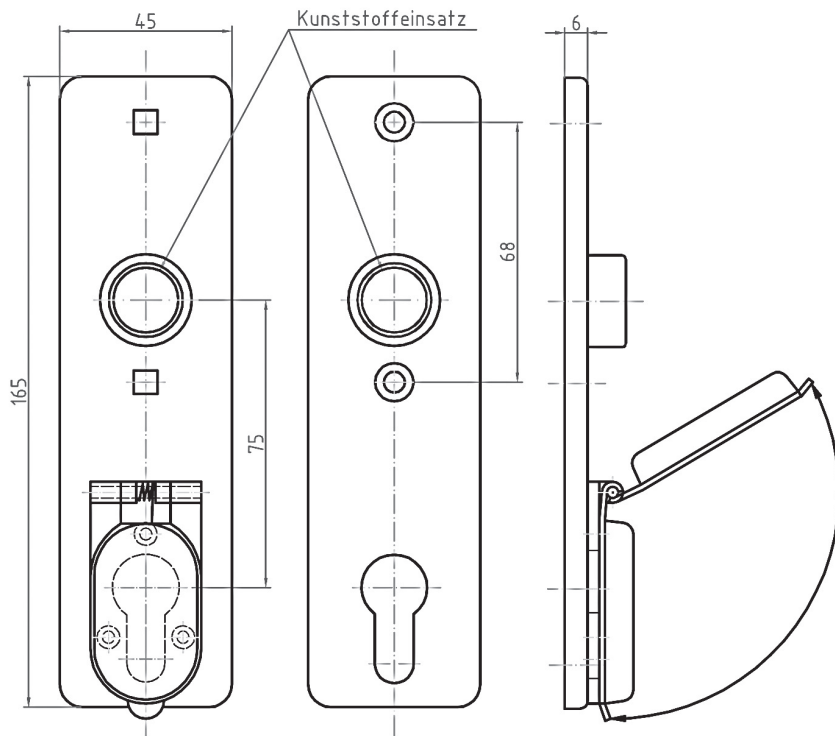
- Available surfaces: stainless steel brushed, polished or satin matt
- Also available versions: key hole, lavatory set or blind
- Distances 72, 75 or lavatory version 78 mm
- Escutcheon plates also available as single plates with round or square hole



Art.code	Surface	Article description	Unit	Weight
N-183510.0	S/S brushed	Escutcheon plates 165x45 mm, blind version	pc.	0,240
N-183510.4	S/S polished	Escutcheon plates 165x45 mm, blind version	pc.	0,240
N-183510.9	S/S matt	Escutcheon plates 165x45 mm, blind version	pc.	0,240
N-183511.0	S/S brushed	Escutcheon plates 165x45 mm, key hole, 75 mm distance	pc.	0,230
N-183511.4	S/S polished	Escutcheon plates 165x45 mm, key hole, 75 mm distance	pc.	0,230
N-183511.9	S/S matt	Escutcheon plates 165x45 mm, key hole, 75 mm distance	pc.	0,230
N-183512.0	S/S brushed	Escutcheon plates 165x45 mm, profile cylinder hole, 75 mm distance	pc.	0,230
N-183512.4	S/S polished	Escutcheon plates 165x45 mm, profile cylinder hole, 75 mm distance	pc.	0,230
N-183512.9	S/S matt	Escutcheon plates 165x45 mm, profile cylinder hole, 75 mm distance	pc.	0,230
N-183513.0	S/S brushed	Escutcheon single plate 165x45 mm, blind, round holes, without screws	pc.	0,120
N-183513.4	S/S polished	Escutcheon single plate 165x45 mm, blind, round holes, without screws	pc.	0,120
N-183513.9	S/S matt	Escutcheon single plate 165x45 mm, blind, round holes, without screws	pc.	0,120
N-183514.0	S/S brushed	Escutcheon single plate 165x45 mm, blind, spindle fixing holes, without screws	pc.	0,120
N-183514.4	S/S polished	Escutcheon single plate 165x45 mm, blind, spindle fixing holes, without screws	pc.	0,120
N-183514.9	S/S matt	Escutcheon single plate 165x45 mm, blind, spindle fixing holes, without screws	pc.	0,120
N-183517.0	S/S brushed	Escutcheon single plate 165x45 mm, profile cylinder hole, spindle fixing holes, without screws	pc.	0,120
N-183517.4	S/S polished	Escutcheon single plate 165x45 mm, profile cylinder hole, spindle fixing holes, without screws	pc.	0,120
N-183517.9	S/S matt	Escutcheon single plate 165x45 mm, profile cylinder hole, spindle fixing holes, without screws	pc.	0,120

ESCUTCHEONS WITH COVERPLATE - ESCUTCHEONS 165X45 MM WITH COVERPLATE

- Available surfaces: stainless steel brushed, polished or satin matt
- Cover and counter plate stainless steel A2 material
- Coverplate can be ordered separately complete with assembly screws

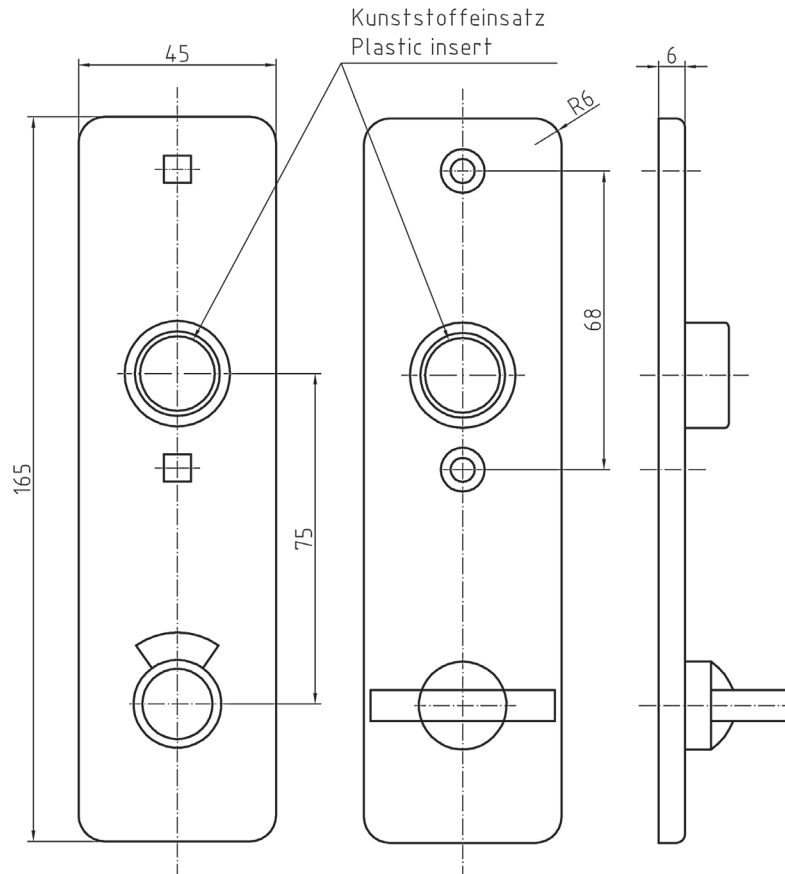


Art.code	Surface	Article description	Unit	Weight
N-183518.0	S/S brushed	Escutcheon single plate 165x45 mm, profile cylinder hole with assembled S/S coverplate, 75 mm, spindle fixing holes	pc.	0,150
N-183518.4	S/S polished	Escutcheon single plate 165x45 mm, profile cylinder hole with assembled S/S coverplate, 75 mm, spindle fixing holes	pc.	0,150
N-183518.9	S/S matt	Escutcheon single plate 165x45 mm, profile cylinder hole with assembled S/S coverplate, 75 mm, spindle fixing holes	pc.	0,150
N-183519.0	S/S brushed	Escutcheon single plate 165x45 mm, profile cylinder hole with assembled S/S coverplate, 75 mm, round fixing holes	pc.	0,150
N-183519.4	S/S polished	Escutcheon single plate 165x45 mm, profile cylinder hole with assembled S/S coverplate, 75 mm, round fixing holes	pc.	0,150
N-183519.9	S/S matt	Escutcheon single plate 165x45 mm, profile cylinder hole with assembled S/S coverplate, 75 mm, round fixing holes	pc.	0,150

ESCUTCHEONS FOR LAVATORY VERSION - ESCUTCHEONS 165X45 MM, LAVATORY VERSION



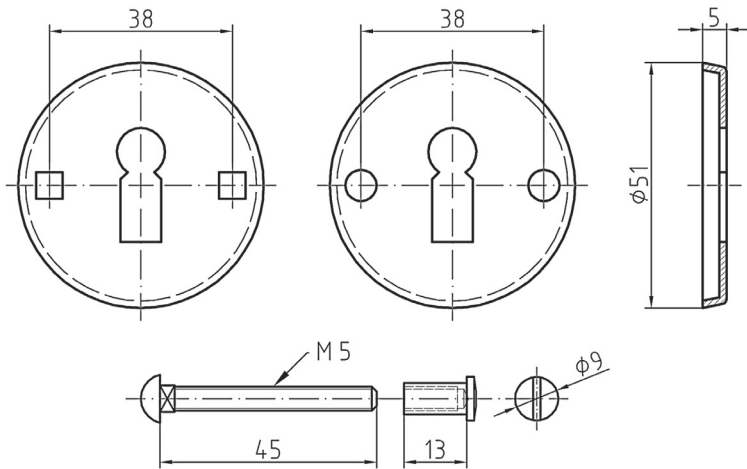
- Available surfaces: stainless steel brushed, polished or satin matt
- Distances 72, 75 or 78 mm
- Escutcheon plates also available single with round or square hole



Art.code	Surface	Article description	Unit	Weight
N-188511.0	S/S brushed	Escutcheon plate lavatory version red/green site, 165x45 mm, distance 75 mm	pc.	0,125
N-188511.4	S/S polished	Escutcheon plate lavatory version red/green site, 165x45 mm, distance 75 mm	pc.	0,125
N-188511.9	S/S matt	Escutcheon plate lavatory version red/green site, 165x45 mm, distance 75 mm	pc.	0,125
N-188512.0	S/S brushed	Escutcheon plate lavatory version, olive knob, 165x45 mm, distance 75 mm	pc.	0,210
N-188512.4	S/S polished	Escutcheon plate lavatory version, olive knob, 165x45 mm, distance 75 mm	pc.	0,210
N-188512.9	S/S matt	Escutcheon plate lavatory version, olive knob, 165x45 mm, distance 75 mm	pc.	0,210
N-188611.0	S/S brushed	Escutcheon plate lavatory version red/green side, 165x45 mm, distance 78 mm	pc.	0,125
N-188611.4	S/S polished	Escutcheon plate lavatory version red/green side, 165x45 mm, distance 78 mm	pc.	0,125
N-188611.9	S/S matt	Escutcheon plate lavatory version red/green side, 165x45 mm, distance 78 mm	pc.	0,125
N-188612.0	S/S brushed	Escutcheon plate lavatory version, olive knob, 165x45 mm, distance 78 mm	pc.	0,200
N-188612.4	S/S polished	Escutcheon plate lavatory version, olive knob, 165x45 mm, distance 78 mm	pc.	0,200
N-188612.9	S/S matt	Escutcheon plate lavatory version, olive knob, 165x45 mm, distance 78 mm	pc.	0,200

ESCUTCHEONS ROUND WITH KEY HOLE - ESCUTCHEONS RD 51 MM

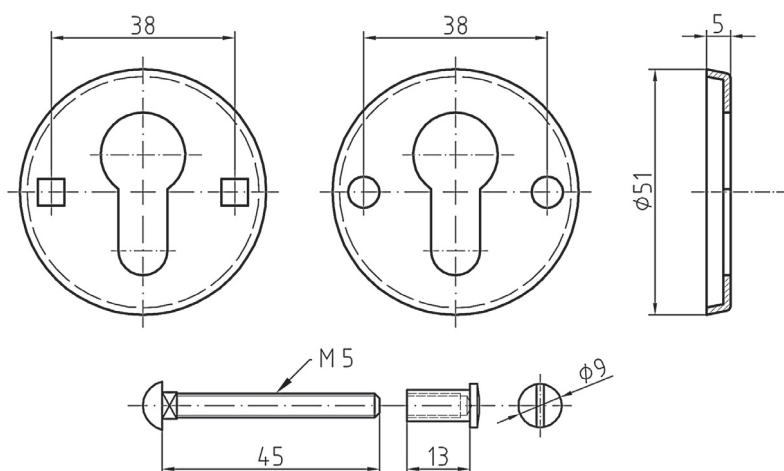
- Available surfaces: stainless steel brushed, polished or satin matt



Art.code	Surface	Article description	Unit	Weight
N-190401.0	S/S brushed	Escutcheon plate round key hole, for countersunk screws	pc.	0,025
N-190401.4	S/S polished	Escutcheon plate round key hole, for countersunk screws	pc.	0,025
N-190401.9	S/S matt	Escutcheon plate round key hole, for countersunk screws	pc.	0,025
N-190402.0	S/S brushed	Escutcheon plate round key hole, for countersunk screws with coverplate	pc.	0,031
N-190402.4	S/S polished	Escutcheon plate round key hole, for countersunk screws with coverplate	pc.	0,031
N-190402.9	S/S matt	Escutcheon plate round key hole, for countersunk screws with coverplate	pc.	0,031
N-190410.0	S/S brushed	Escutcheon plate pair Rd 51 mm, key hole, with fixing screws M5x45 mm	pc.	0,055
N-190410.4	S/S polished	Escutcheon plate pair Rd 51 mm, key hole, with fixing screws M5x45 mm	pc.	0,055
N-190410.9	S/S matt	Escutcheon plate pair Rd 51 mm, key hole, with fixing screws M5x45 mm	pc.	0,055

ESCUTCHEONS ROUND WITH PROFILE CYLINDER HOLE - ESCUTCHEONS RD 51 MM

- Available surfaces: stainless steel brushed, polished or satin matt



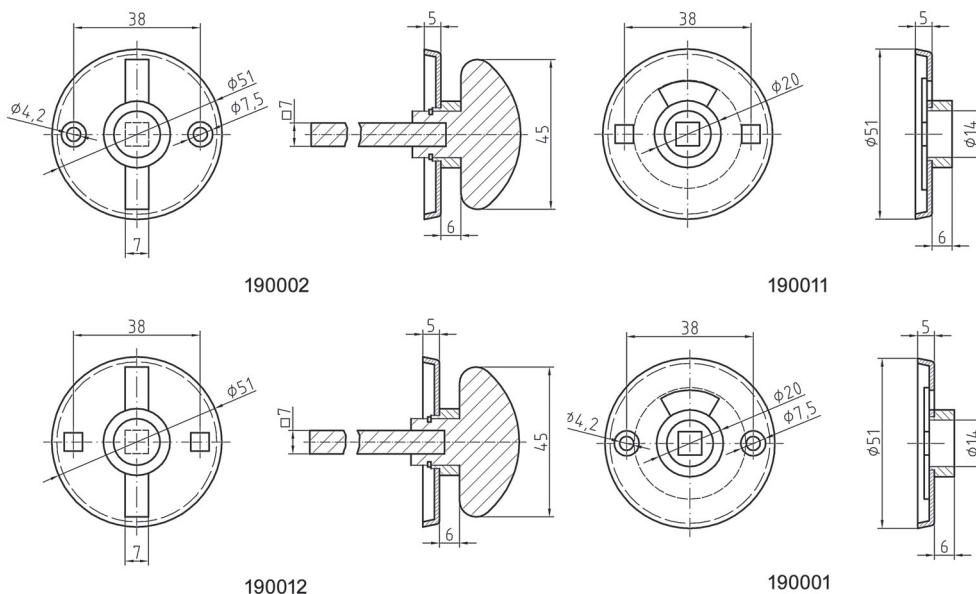
Art.code	Surface	Article description	Unit	Weight
N-190200.0	S/S brushed	Escutcheon plate round profile cylinderhole, for countersunk screws	pc.	0,025
N-190200.4	S/S polished	Escutcheon plate round profile cylinderhole, for countersunk screws	pc.	0,025
N-190200.9	S/S matt	Escutcheon plate round profile cylinderhole, for countersunk screws	pc.	0,025
N-190210.0	S/S brushed	Escutcheon plate pair round profile cylinder hole DIN 81316 with fixing screws M5x45 mm	pc.	0,043

Art.code	Surface	Article description	Unit	Weight
N-190210.4	S/S polished	Escutcheon plate pair round profile cylinder hole DIN 81316 with fixing screws M5x45 mm	pc.	0,043
N-190210.9	S/S matt	Escutcheon plate pair round profile cylinder hole DIN 81316 with fixing screws M5x45 mm	pc.	0,043
N-190600.0	S/S brushed	Escutcheon plate set (2 parts) for invisible screw fixation	pc.	0,095
N-190600.4	S/S polished	Escutcheon plate set (2 parts) for invisible screw fixation	pc.	0,095
N-190600.9	S/S matt	Escutcheon plate set (2 parts) for invisible screw fixation	pc.	0,095

ESCUTCHEONS ROUND FOR LAVATORY VERSION - ESCUTCHEONS FOR LAVATORY VERSION RD 51 MM

Spindle 7 mm

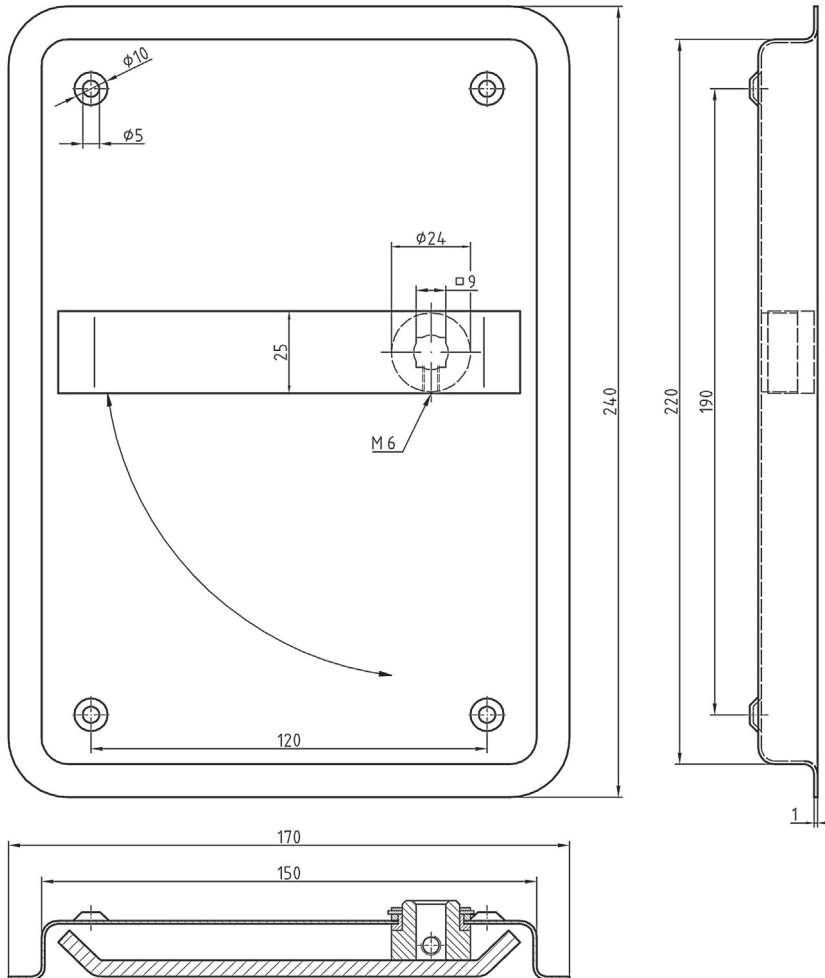
- Available surfaces: stainless steel brushed, polished or satin matt



Art.code	Surface	Article description	Unit	Weight
N-190001.0	S/S brushed	Escutcheon plate round lavatory outside with red green sign, for countersunk screws	pc.	0,035
N-190001.4	S/S polished	Escutcheon plate round lavatory outside with red green sign, for countersunk screws	pc.	0,035
N-190001.9	S/S matt	Escutcheon plate round lavatory outside with red green sign, for countersunk screws	pc.	0,035
N-190002.0	S/S brushed	Escutcheon plate round lavatory inside with olive, for countersunk screws	pc.	0,119
N-190002.4	S/S polished	Escutcheon plate round lavatory inside with olive, for countersunk screws	pc.	0,119
N-190002.9	S/S matt	Escutcheon plate round lavatory inside with olive, for countersunk screws	pc.	0,119
N-190011.0	S/S brushed	Escutcheon plate round lavatory outside with red green sign	pc.	0,031
N-190011.4	S/S polished	Escutcheon plate round lavatory outside with red green sign	pc.	0,031
N-190011.9	S/S matt	Escutcheon plate round lavatory outside with red green sign	pc.	0,031
N-190012.0	S/S brushed	Escutcheon plate round lavatory inside with olive, for countersunk screws	pc.	0,120
N-190012.4	S/S polished	Escutcheon plate round lavatory inside with olive, for countersunk screws	pc.	0,120
N-190012.9	S/S matt	Escutcheon plate round lavatory inside with olive, for countersunk screws	pc.	0,120

RECESSED FLAT HANDLE GRIP - RECESSED FLAT HANDLE GRIP WITH 9 MM SPINDLE HOLE

- Available surfaces: Stainless steel brushed
- Please indicate door thickness in the order
- With spindle 8 mm on request

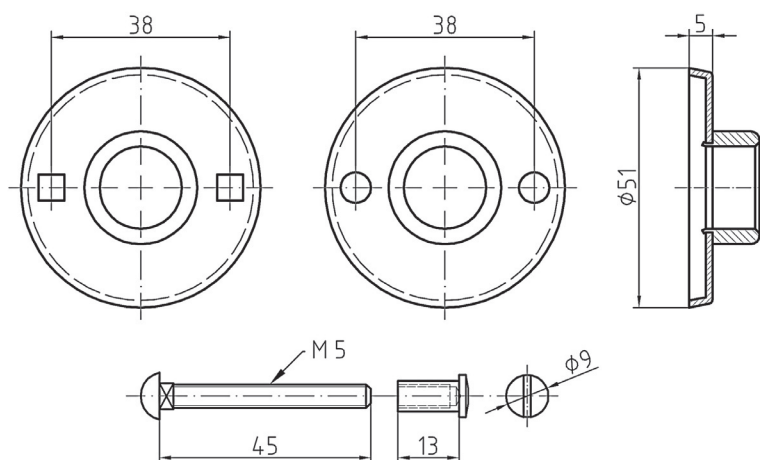


Art.code	Surface	Article description	Unit	Weight
GM-0001.0	S/S brushed	Recessed handle set with 9 mm spindle hole, right version	pc.	0,540
GM-0002.0	S/S brushed	Recessed handle set with 9 mm spindle hole, left version	pc.	0,540

HANDLE ROSETTES 51 MM - ROUND 51 MM



- Available surfaces: stainless steel brushed, polished or satin matt
- Rosets with PE insert part

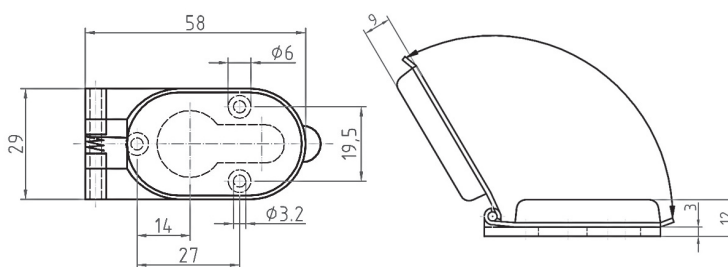


Art.code	Surface	Article description	Unit	Weight
N-190300.0	S/S brushed	Roset Rd 51 mm for countersunk screws with PE insert	pc.	0,074
N-190300.4	S/S polished	Roset Rd 51 mm for countersunk screws with PE insert	pc.	0,074
N-190300.9	S/S matt	Roset Rd 51 mm for countersunk screws with PE insert	pc.	0,074
N-190310.0	S/S brushed	Handle roset pair Rd 51 mm with fixing screws M5x45 mm and PE insert	pc.	0,074
N-190310.4	S/S polished	Handle roset pair Rd 51 mm with fixing screws M5x45 mm and PE insert	pc.	0,074
N-190310.9	S/S matt	Handle roset pair Rd 51 mm with fixing screws M5x45 mm and PE insert	pc.	0,074

PROFILE CYLINDER COVER PLATE - COVERPLATE 12 MM HEIGHT BRASS



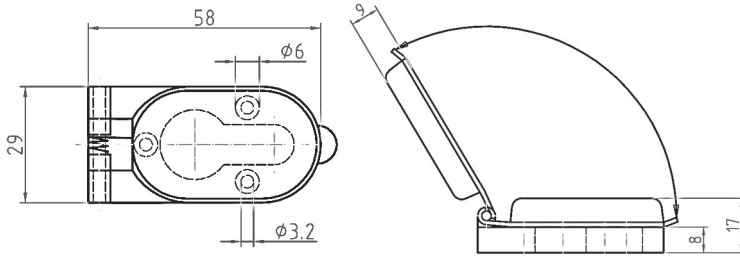
- Available surfaces: stainless steel brushed, polished or satin matt
- Delivered with screws and nuts



Art.code	Surface	Article description	Unit	Weight
N-183599.0	S/S brushed	Cover plate stainless steel with screws and nuts, 12 mm height	pc.	0,045
N-183599.4	S/S polished	Cover plate stainless steel with screws and nuts, 12 mm height	pc.	0,045
N-183599.9	S/S matt	Cover plate stainless steel with screws and nuts, 12 mm height	pc.	0,045

PROFILE CYLINDER COVER PLATE - COVERPLATE 17 MM HEIGHT BRASS

- Available surfaces: stainless steel brushed, polished or satin matt
- Delivered with screws and nuts



Art.code	Surface	Article description	Unit	Weight
N-183598.0	S/S brushed	Cover plate stainless steel with screws and nuts, 17 mm height	pc.	0,080
N-183598.4	S/S polished	Cover plate stainless steel with screws and nuts, 17 mm height	pc.	0,080
N-183598.9	S/S brushed	Cover plate stainless steel with screws and nuts, 17 mm height	pc.	0,080


ATTACHMENTS - FIXING SCREWS FOR ESCUTCHEON PLATES

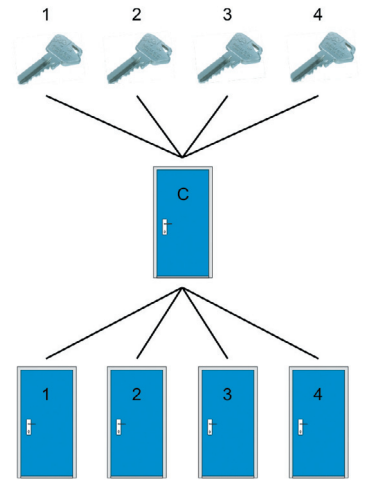
Stainless steel

Art.code	Surface	Article description	Unit	Weight
N-209045.0	S/S brushed	Fixing screw M5x45 mm, with S/S nut 9x16 mm	pc.	0,010
N-209045.4	S/S polished	Fixing screw M5x45 mm, with S/S nut 9x16 mm	pc.	0,010
N-209045.9	S/S matt	Fixing screw M5x45 mm, with S/S nut 9x16 mm	pc.	0,010
N-209070.0	S/S brushed	Fixing screw M5x70 mm, with S/S nut 9x16 mm	pc.	0,015
N-209070.4	S/S polished	Fixing screw M5x70 mm, with S/S nut 9x16 mm	pc.	0,015
N-209070.9	S/S matt	Fixing screw M5x70 mm, with S/S nut 9x16 mm	pc.	0,015
N-209999.0	S/S brushed	Pan head fixing nut with spindle neck	pc.	0,005
N-209999.4	S/S polished	Pan head fixing nut with spindle neck	pc.	0,005
N-209999.9	S/S matt	Pan head fixing nut with spindle neck	pc.	0,005




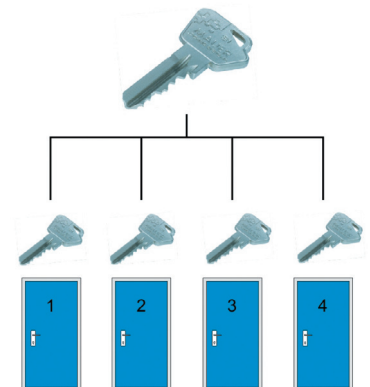
INFORMATION CENTRAL LOCKING SYSTEM - CENTRAL LOCKING SYSTEM

 <p>System: Test 3 Customer: Mauer</p> <p>Project: HS-CC system</p> <p>Produced: 14-2-2003 Modified: 14-2-2003</p> <p>1/1</p>			<table border="1"> <thead> <tr> <th>No</th> <th>Type</th> <th>Qty</th> <th>Length</th> <th>Color</th> <th>Key Name</th> </tr> </thead> <tbody> <tr><td>01</td><td>DC1 1</td><td>1</td><td>51-31</td><td>NI</td><td>Centraal inloop</td></tr> <tr><td>02</td><td>DC1 1</td><td>1</td><td>51-31</td><td>NI</td><td>Woning 1</td></tr> <tr><td>03</td><td>DC1 1</td><td>1</td><td>51-31</td><td>NI</td><td>Woning 2</td></tr> <tr><td>04</td><td>DC1 1</td><td>1</td><td>51-31</td><td>NI</td><td>Woning 3</td></tr> <tr><td>05</td><td>DC1 1</td><td>1</td><td>51-31</td><td>NI</td><td>Woning 4</td></tr> <tr><td>06</td><td>DC1 1</td><td>1</td><td>51-31</td><td>NI</td><td>Woning 5</td></tr> <tr><td>07</td><td>DC1 1</td><td>1</td><td>51-31</td><td>NI</td><td>Woning 6</td></tr> <tr><td>08</td><td>DC1 1</td><td>1</td><td>51-31</td><td>NI</td><td>Woning 7</td></tr> <tr><td>09</td><td>DC1 1</td><td>1</td><td>51-31</td><td>NI</td><td>Woning 8</td></tr> <tr><td>10</td><td>DC1 1</td><td>1</td><td>51-31</td><td>NI</td><td>Woning 9</td></tr> <tr><td>11</td><td>DC1 1</td><td>1</td><td>51-31</td><td>NI</td><td>Woning 10</td></tr> <tr><td>12</td><td>Reserve</td><td>0</td><td></td><td></td><td>Reserve</td></tr> <tr><td>13</td><td>Reserve</td><td>0</td><td></td><td></td><td>Reserve</td></tr> <tr><td>14</td><td>Reserve</td><td>0</td><td></td><td></td><td>Reserve</td></tr> <tr><td>15</td><td>Reserve</td><td>0</td><td></td><td></td><td>Reserve</td></tr> </tbody> </table>															No	Type	Qty	Length	Color	Key Name	01	DC1 1	1	51-31	NI	Centraal inloop	02	DC1 1	1	51-31	NI	Woning 1	03	DC1 1	1	51-31	NI	Woning 2	04	DC1 1	1	51-31	NI	Woning 3	05	DC1 1	1	51-31	NI	Woning 4	06	DC1 1	1	51-31	NI	Woning 5	07	DC1 1	1	51-31	NI	Woning 6	08	DC1 1	1	51-31	NI	Woning 7	09	DC1 1	1	51-31	NI	Woning 8	10	DC1 1	1	51-31	NI	Woning 9	11	DC1 1	1	51-31	NI	Woning 10	12	Reserve	0			Reserve	13	Reserve	0			Reserve	14	Reserve	0			Reserve	15	Reserve	0			Reserve
No	Type	Qty	Length	Color	Key Name																																																																																																												
01	DC1 1	1	51-31	NI	Centraal inloop																																																																																																												
02	DC1 1	1	51-31	NI	Woning 1																																																																																																												
03	DC1 1	1	51-31	NI	Woning 2																																																																																																												
04	DC1 1	1	51-31	NI	Woning 3																																																																																																												
05	DC1 1	1	51-31	NI	Woning 4																																																																																																												
06	DC1 1	1	51-31	NI	Woning 5																																																																																																												
07	DC1 1	1	51-31	NI	Woning 6																																																																																																												
08	DC1 1	1	51-31	NI	Woning 7																																																																																																												
09	DC1 1	1	51-31	NI	Woning 8																																																																																																												
10	DC1 1	1	51-31	NI	Woning 9																																																																																																												
11	DC1 1	1	51-31	NI	Woning 10																																																																																																												
12	Reserve	0			Reserve																																																																																																												
13	Reserve	0			Reserve																																																																																																												
14	Reserve	0			Reserve																																																																																																												
15	Reserve	0			Reserve																																																																																																												
Key	Name	Qty																																																																																																															
HS	Hoofdsleutel	1																																																																																																															
C1	Centraalsleutel	1																																																																																																															
01	Monosleutel	3																																																																																																															
02	Monosleutel	3																																																																																																															
03	Monosleutel	3																																																																																																															
04	Monosleutel	3																																																																																																															
05	Monosleutel	3																																																																																																															
06	Monosleutel	3																																																																																																															
07	Monosleutel	3																																																																																																															
08	Monosleutel	3																																																																																																															
09	Monosleutel	3																																																																																																															
10	Monosleutel	3																																																																																																															
11	Reserve	0																																																																																																															
12	Reserve	0																																																																																																															
13	Reserve	0																																																																																																															
14	Reserve	0																																																																																																															
15	Reserve	0																																																																																																															

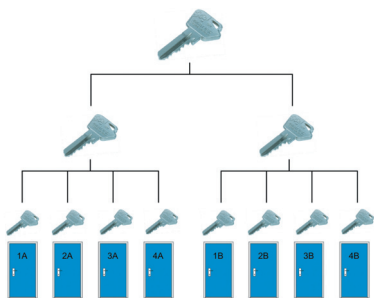


INFORMATION MASTER KEY SYSTEM - MASTER KEY SYSTEM

 <p>System: Test 1 Customer: Mauer</p> <p>Project: HS system</p> <p>Produced: 14-2-03 Modified: 14-2-2003</p> <p>1/1</p>			<table border="1"> <thead> <tr> <th>No</th> <th>Type</th> <th>Qty</th> <th>Length</th> <th>Color</th> <th>Key Name</th> </tr> </thead> <tbody> <tr><td>01</td><td>DC1 1</td><td>1</td><td>51-31</td><td>NI</td><td>Deur 1</td></tr> <tr><td>02</td><td>DC1 1</td><td>1</td><td>51-31</td><td>NI</td><td>Deur 2</td></tr> <tr><td>03</td><td>DC1 1</td><td>1</td><td>51-31</td><td>NI</td><td>Deur 3</td></tr> <tr><td>04</td><td>DC1 1</td><td>1</td><td>51-31</td><td>NI</td><td>Deur 4</td></tr> <tr><td>05</td><td>DC1 1</td><td>1</td><td>51-31</td><td>NI</td><td>Deur 5</td></tr> <tr><td>06</td><td>DC1 1</td><td>1</td><td>51-31</td><td>NI</td><td>Deur 6</td></tr> <tr><td>07</td><td>DC1 1</td><td>1</td><td>51-31</td><td>NI</td><td>Deur 7</td></tr> <tr><td>08</td><td>DC1 1</td><td>1</td><td>51-31</td><td>NI</td><td>Deur 8</td></tr> <tr><td>09</td><td>DC1 1</td><td>1</td><td>51-31</td><td>NI</td><td>Deur 9</td></tr> <tr><td>10</td><td>DC1 1</td><td>1</td><td>51-31</td><td>NI</td><td>Deur 10</td></tr> <tr><td>11</td><td>Reserve</td><td>0</td><td></td><td></td><td>Reserve</td></tr> <tr><td>12</td><td>Reserve</td><td>0</td><td></td><td></td><td>Reserve</td></tr> <tr><td>13</td><td>Reserve</td><td>0</td><td></td><td></td><td>Reserve</td></tr> <tr><td>14</td><td>Reserve</td><td>0</td><td></td><td></td><td>Reserve</td></tr> <tr><td>15</td><td>Reserve</td><td>0</td><td></td><td></td><td>Reserve</td></tr> <tr><td>16</td><td>Reserve</td><td>0</td><td></td><td></td><td>Reserve</td></tr> <tr><td>17</td><td>Reserve</td><td>0</td><td></td><td></td><td>Reserve</td></tr> </tbody> </table>															No	Type	Qty	Length	Color	Key Name	01	DC1 1	1	51-31	NI	Deur 1	02	DC1 1	1	51-31	NI	Deur 2	03	DC1 1	1	51-31	NI	Deur 3	04	DC1 1	1	51-31	NI	Deur 4	05	DC1 1	1	51-31	NI	Deur 5	06	DC1 1	1	51-31	NI	Deur 6	07	DC1 1	1	51-31	NI	Deur 7	08	DC1 1	1	51-31	NI	Deur 8	09	DC1 1	1	51-31	NI	Deur 9	10	DC1 1	1	51-31	NI	Deur 10	11	Reserve	0			Reserve	12	Reserve	0			Reserve	13	Reserve	0			Reserve	14	Reserve	0			Reserve	15	Reserve	0			Reserve	16	Reserve	0			Reserve	17	Reserve	0			Reserve
No	Type	Qty	Length	Color	Key Name																																																																																																																								
01	DC1 1	1	51-31	NI	Deur 1																																																																																																																								
02	DC1 1	1	51-31	NI	Deur 2																																																																																																																								
03	DC1 1	1	51-31	NI	Deur 3																																																																																																																								
04	DC1 1	1	51-31	NI	Deur 4																																																																																																																								
05	DC1 1	1	51-31	NI	Deur 5																																																																																																																								
06	DC1 1	1	51-31	NI	Deur 6																																																																																																																								
07	DC1 1	1	51-31	NI	Deur 7																																																																																																																								
08	DC1 1	1	51-31	NI	Deur 8																																																																																																																								
09	DC1 1	1	51-31	NI	Deur 9																																																																																																																								
10	DC1 1	1	51-31	NI	Deur 10																																																																																																																								
11	Reserve	0			Reserve																																																																																																																								
12	Reserve	0			Reserve																																																																																																																								
13	Reserve	0			Reserve																																																																																																																								
14	Reserve	0			Reserve																																																																																																																								
15	Reserve	0			Reserve																																																																																																																								
16	Reserve	0			Reserve																																																																																																																								
17	Reserve	0			Reserve																																																																																																																								
Key	Name	Qty																																																																																																																											
HS	Hoofdsleutel	1																																																																																																																											
01	Monosleutel	3																																																																																																																											
02	Monosleutel	3																																																																																																																											
03	Monosleutel	3																																																																																																																											
04	Monosleutel	3																																																																																																																											
05	Monosleutel	3																																																																																																																											
06	Monosleutel	3																																																																																																																											
07	Monosleutel	3																																																																																																																											
08	Monosleutel	3																																																																																																																											
09	Monosleutel	3																																																																																																																											
10	Monosleutel	3																																																																																																																											
11	Reserve	0																																																																																																																											
12	Reserve	0																																																																																																																											
13	Reserve	0																																																																																																																											
14	Reserve	0																																																																																																																											
15	Reserve	0																																																																																																																											
16	Reserve	0																																																																																																																											
17	Reserve	0																																																																																																																											



INFORMATION GENERAL MASTER KEY SYSTEM - GENERAL MASTER KEY SYSTEM



MAUER
LOCKING SYSTEMS

System: Test 2
Customer: Mauer

Project: GHS systeem

Produced: 14-2-2003
Modified: 14-2-2003

1/1

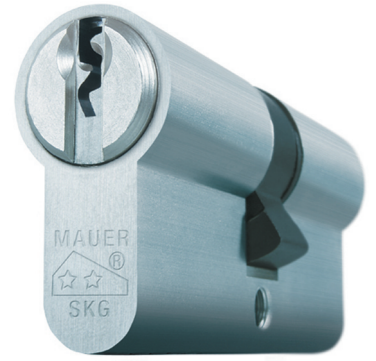
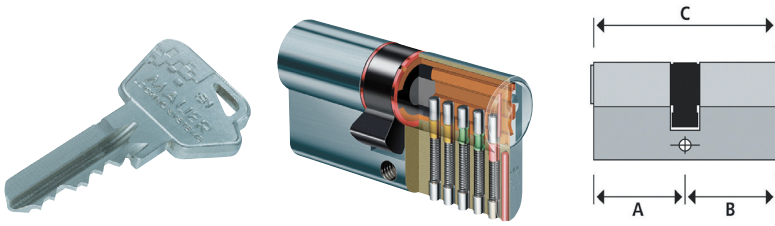
Key	Name	Qty
GHS	Gen. hoofdsleutel	1
G01	Groepsleutel	1
G02	Groepsleutel	1
G03	Groepsleutel	1
G04	Groepsleutel	1
01	Monosleutel	3
02	Monosleutel	3
03	Monosleutel	3
04	Monosleutel	3
05	Monosleutel	3
06	Monosleutel	3
07	Monosleutel	3
08	Monosleutel	3
09	Monosleutel	3
10	Monosleutel	3
11	Monosleutel	3
12	Monosleutel	3
13	Monosleutel	3
14	Monosleutel	3
15	Monosleutel	3
T8	Reserve	0
T7	Reserve	0
T6	Reserve	0
T5	Reserve	0
T4	Reserve	0
T3	Reserve	0
T2	Reserve	0
T1	Reserve	0

No	Type	Qty	Length	Color	Key Name
01	DC11	3	31	NI	Deur 1
02	DC11	3	31	NI	Deur 2
03	DC11	3	31	NI	Deur 3
04	DC11	3	31	NI	Deur 4
05	DC11	3	31	NI	Deur 5
06	DC11	3	31	NI	Deur 6
07	DC11	3	31	NI	Deur 7
08	DC11	3	31	NI	Deur 8
09	DC11	3	31	NI	Deur 9
10	DC11	3	31	NI	Deur 10
11	DC11	3	31	NI	Deur 11
12	DC11	3	31	NI	Deur 12
13	DC11	3	31	NI	Deur 13
14	DC11	3	31	NI	Deur 14
15	DC11	3	31	NI	Deur 15
T8		0			Reserve
T7		0			Reserve
T6		0			Reserve
T5		0			Reserve
T4		0			Reserve
T3		0			Reserve
T2		0			Reserve
T1		0			Reserve

STANDARD - DOUBLE CYLINDER

- Conventional, 5 pins
- 32.000 possibilities

- Are delivered with 3 keys (brass nickelplated)



Art.code	Surface	Article description	Unit	Weight
41DC1-S-NI	Bmn	mauer DC1-S-Ni-3 sl 31/31=62	pc.	0,234
41DC2-S-NI	Bmn	mauer DC2-S-Ni-3 sl 31/36=67	pc.	0,250
41DC3-S-NI	Bmn	mauer DC3-S-Ni-3 sl 31/41=72	pc.	0,267
41DC4-S-NI	Bmn	mauer DC4-S-Ni-3 sl 31/46=77	pc.	0,282
41DC5-S-NI	Bmn	mauer DC5-S-Ni-3 sl 31/51=82	pc.	0,297
41DC6-S-NI	Bmn	mauer DC6-S-Ni-3 sl 31/56=87	pc.	0,314
41DC7-S-NI	Bmn	mauer DC7-S-Ni-3 sl 31/61=92	pc.	0,330
41DC8-S-NI	Bmn	mauer DC8-S-Ni-3 sl 31/66=97	pc.	0,346
41DC9-S-NI	Bmn	mauer DC9-S-Ni-3 sl 31/71=102	pc.	0,362
41DC10-S-NI	Bmn	mauer DC10-S-Ni-3 sl 36/36=72	pc.	0,267
41DC11-S-NI	Bmn	mauer DC11-S-Ni-3 sl 36/41=77	pc.	0,282
41DC12-S-NI	Bmn	mauer DC12-S-Ni-3 sl 36/46=82	pc.	0,296
41DC13-S-NI	Bmn	mauer DC13-S-Ni-3 sl 36/51=87	pc.	0,314
41DC14-S-NI	Bmn	mauer DC14-S-Ni-3 sl 36/56=92	pc.	0,330
41DC15-S-NI	Bmn	mauer DC15-S-Ni-3 sl 36/61=97	pc.	0,346
41DC16-S-NI	Bmn	mauer DC16-S-Ni-3 sl 41/41=82	pc.	0,296
41DC17-S-NI	Bmn	mauer DC17-S-Ni-3 sl 41/46=87	pc.	0,314
41DC18-S-NI	Bmn	mauer DC18-S-Ni-3 sl 41/51=92	pc.	0,330
41DC19-S-NI	Bmn	mauer DC19-S-Ni-3 sl 41/56=97	pc.	0,346
41DC20-S-NI	Bmn	mauer DC20-S-Ni-3 sl 41/61=102	pc.	0,360
41DC21-S-NI	Bmn	mauer DC21-S-Ni-3 sl 46/46=92	pc.	0,330
41DC22-S-NI	Bmn	mauer DC22-S-Ni-3 sl 46/51=97	pc.	0,346
41DC23-S-NI	Bmn	mauer DC23-S-Ni-3 sl 46/56=102	pc.	0,360
41DC24-S-NI	Bmn	mauer DC24-S-Ni-3 sl 46/61=107	pc.	0,368
41DC25-S-NI	Bmn	mauer DC25-S-Ni-3 sl 51/51=102	pc.	0,360
41DC26-S-NI	Bmn	mauer DC26-S-Ni-3 sl 51/61=112	pc.	0,384
41DC27-S-NI	Bmn	mauer DC27-S-Ni-3 sl 56/56=112	pc.	0,384

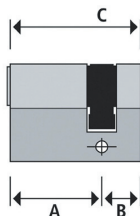
STANDARD - DOUBLE CYLINDER BRASS



Art.code	Surface	Article description	Unit	Weight
41DC1-S-MS	Brass	mauer DC1-S-Ms-3 sl 31/31=62	pc.	0,234
41DC2-S-MS	Brass	mauer DC2-S-Ms-3 sl 31/36=67	pc.	0,250
41DC3-S-MS	Brass	mauer DC3-S-Ms-3 sl 31/41=72	pc.	0,267
41DC4-S-MS	Brass	mauer DC4-S-Ms-3 sl 31/46=77	pc.	0,282
41DC5-S-MS	Brass	mauer DC5-S-Ms-3 sl 31/51=82	pc.	0,297
41DC6-S-MS	Brass	mauer DC6-S-Ms-3 sl 31/56=87	pc.	0,314
41DC7-S-MS	Brass	mauer DC7-S-Ms-3 sl 31/61=92	pc.	0,330
41DC8-S-MS	Brass	mauer DC8-S-Ms-3 sl 31/66=97	pc.	0,346
41DC9-S-MS	Brass	mauer DC9-S-Ms-3 sl 31/71=102	pc.	0,362
41DC10-S-MS	Brass	mauer DC10-S-Ms-3 sl 36/36=72	pc.	0,267
41DC11-S-MS	Brass	mauer DC11-S-Ms-3 sl 36/41=77	pc.	0,282
41DC12-S-MS	Brass	mauer DC12-S-Ms-3 sl 36/46=82	pc.	0,296
41DC13-S-MS	Brass	mauer DC13-S-Ms-3 sl 36/51=87	pc.	0,314
41DC14-S-MS	Brass	mauer DC14-S-Ms-3 sl 36/56=92	pc.	0,330
41DC15-S-MS	Brass	mauer DC15-S-Ms-3 sl 36/61=97	pc.	0,346
41DC16-S-MS	Brass	mauer DC16-S-Ms-3 sl 41/41=82	pc.	0,296
41DC17-S-MS	Brass	mauer DC17-S-Ms-3 sl 41/46=87	pc.	0,314
41DC18-S-MS	Brass	mauer DC18-S-Ms-3 sl 41/51=92	pc.	0,330
41DC19-S-MS	Brass	mauer DC19-S-Ms-3 sl 41/56=97	pc.	0,346
41DC20-S-MS	Brass	mauer DC20-S-Ms-3 sl 41/61=102	pc.	0,360
41DC21-S-MS	Brass	mauer DC21-S-Ms-3 sl 46/46=92	pc.	0,330
41DC22-S-MS	Brass	mauer DC22-S-Ms-3 sl 46/51=97	pc.	0,346
41DC23-S-MS	Brass	mauer DC23-S-Ms-3 sl 46/56=102	pc.	0,360
41DC24-S-MS	Brass	mauer DC24-S-Ms-3 sl 46/61=107	pc.	0,368
41DC25-S-MS	Brass	mauer DC25-S-Ms-3 sl 51/51=102	pc.	0,360
41DC26-S-MS	Brass	mauer DC26-S-Ms-3 sl 51/61=112	pc.	0,384
41DC27-S-MS	Brass	mauer DC27-S-Ms-3 sl 56/56=112	pc.	0,384

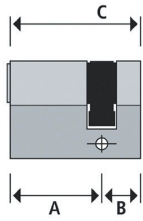


STANDARD - HALF CYLINDERS



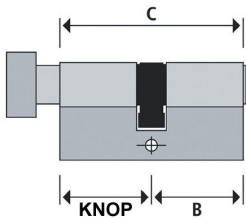
Art.code	Surface	Article description	Unit	Weight
41HC1-S-NI	Bmn	mauer HC1-S-Ni-3 sl 31/9=40	pc.	0,168
41HC2-S-NI	Bmn	mauer HC2-S-Ni-3 sl 36/9=45	pc.	0,182
41HC3-S-NI	Bmn	mauer HC3-S-Ni-3 sl 41/9=50	pc.	0,196
41HC4-S-NI	Bmn	mauer HC4-S-Ni-3 sl 46/9=55	pc.	0,210
41HC5-S-NI	Bmn	mauer HC5-S-Ni-3 sl 51/9=60	pc.	0,222
41HC6-S-NI	Bmn	mauer HC6-S-Ni-3 sl 56/9=65	pc.	0,236
41HC7-S-NI	Bmn	mauer HC7-S-Ni-3 sl 61/9=70	pc.	0,246
41HC8-S-NI	Bmn	mauer HC8-S-Ni-3 sl 66/9=75	pc.	0,262
41HC9-S-NI	Bmn	mauer HC9-S-Ni-3 sl 71/9=80	pc.	0,276

STANDARD - HALF CYLINDERS BRASS



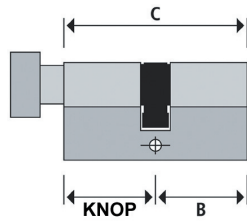
Art.code	Surface	Article description	Unit	Weight
41HC0-S-MS	Brass	mauer HC0-S-Ms-3 sl 26/9=35	pc.	0,146
41HC1-S-MS	Brass	mauer HC1-S-Ms-3 sl 31/9=40	pc.	0,168
41HC2-S-MS	Brass	mauer HC2-S-Ms-3 sl 36/9=45	pc.	0,182
41HC3-S-MS	Brass	mauer HC3-S-Ms-3 sl 41/9=50	pc.	0,196
41HC4-S-MS	Brass	mauer HC4-S-Ms-3 sl 46/9=55	pc.	0,210
41HC5-S-MS	Brass	mauer HC5-S-Ms-3 sl 51/9=60	pc.	0,222
41HC6-S-MS	Brass	mauer HC6-S-Ms-3 sl 56/9=65	pc.	0,236
41HC7-S-MS	Brass	mauer HC7-S-Ms-3 sl 61/9=70	pc.	0,246
41HC8-S-MS	Brass	mauer HC8-S-Ms-3 sl 66/9=75	pc.	0,262
41HC9-S-MS	Brass	mauer HC9-S-Ms-3 sl 71/9=80	pc.	0,276

STANDARD - KNOB CYLINDERS



Art.code	Surface	Article description	Unit	Weight
41KC1-S-NI	Bmn	mauer KC1-S-Ni-3 sl 31/31=62	pc.	0,286
41KC2-S-NI	Bmn	mauer KC2-S-Ni-3 sl 31/36=67	pc.	0,300
41KC3-S-NI	Bmn	mauer KC3-S-Ni-3 sl 31/41=72	pc.	0,316
41KC4-S-NI	Bmn	mauer KC4-S-Ni-3 sl 31/46=77	pc.	0,336
41KC5-S-NI	Bmn	mauer KC5-S-Ni-3 sl 31/51=82	pc.	0,304
41KC6-S-NI	Bmn	mauer KC6-S-Ni-3 sl 36/31=67	pc.	0,300
41KC7-S-NI	Bmn	mauer KC7-S-Ni-3 sl 36/36=72	pc.	0,316
41KC8-S-NI	Bmn	mauer KC8-S-Ni-3 sl 36/41=77	pc.	0,336
41KC9-S-NI	Bmn	mauer KC9-S-Ni-3 sl 36/46=82	pc.	0,304
41KC10-S-NI	Bmn	mauer KC10-S-Ni-3 sl 36/51=87	pc.	0,353
41KC11-S-NI	Bmn	mauer KC11-S-Ni-3 sl 41/31=72	pc.	0,316
41KC12-S-NI	Bmn	mauer KC12-S-Ni-3 sl 41/36=77	pc.	0,336
41KC13-S-NI	Bmn	mauer KC13-S-Ni-3 sl 41/41=82	pc.	0,304
41KC14-S-NI	Bmn	mauer KC14-S-Ni-3 sl 41/46=87	pc.	0,353
41KC15-S-NI	Bmn	mauer KC15-S-Ni-3 sl 41/51=92	pc.	0,384
41KC16-S-NI	Bmn	mauer KC16-S-Ni-3 sl 46/31=77	pc.	0,336
41KC17-S-NI	Bmn	mauer KC17-S-Ni-3 sl 46/36=82	pc.	0,304
41KC18-S-NI	Bmn	mauer KC18-S-Ni-3 sl 46/41=87	pc.	0,353
41KC19-S-NI	Bmn	mauer KC19-S-Ni-3 sl 46/46=92	pc.	0,384
41KC20-S-NI	Bmn	mauer KC20-S-Ni-3 sl 46/51=97	pc.	0,411

STANDARD - KNOB CYLINDERS BRASS



Art.code	Surface	Article description	Unit	Weight
41KC1-S-MS	Brass	mauer KC1-S-Ms-3 sl 31/31=62	pc.	0,286
41KC2-S-MS	Brass	mauer KC2-S-Ms-3 sl 31/36=67	pc.	0,300
41KC3-S-MS	Brass	mauer KC3-S-Ms-3 sl 31/41=72	pc.	0,316
41KC4-S-MS	Brass	mauer KC4-S-Ms-3 sl 31/46=77	pc.	0,336
41KC5-S-MS	Brass	mauer KC5-S-Ms-3 sl 31/51=82	pc.	0,304
41KC6-S-MS	Brass	mauer KC6-S-Ms-3 sl 36/31=67	pc.	0,300
41KC7-S-MS	Brass	mauer KC7-S-Ms-3 sl 36/36=72	pc.	0,316
41KC8-S-MS	Brass	mauer KC8-S-Ms-3 sl 36/41=77	pc.	0,336
41KC9-S-MS	Brass	mauer KC9-S-Ms-3 sl 36/46=82	pc.	0,304
41KC10-S-MS	Brass	mauer KC10-S-Ms-3 sl 36/51=87	pc.	0,353
41KC11-S-MS	Brass	mauer KC11-S-Ms-3 sl 41/31=72	pc.	0,316
41KC12-S-MS	Brass	mauer KC12-S-Ms-3 sl 41/36=77	pc.	0,336
41KC13-S-MS	Brass	mauer KC13-S-Ms-3 sl 41/41=82	pc.	0,304
41KC14-S-MS	Brass	mauer KC14-S-Ms-3 sl 41/46=87	pc.	0,353
41KC15-S-MS	Brass	mauer KC15-S-Ms-3 sl 41/51=92	pc.	0,384
41KC16-S-MS	Brass	mauer KC16-S-Ms-3 sl 46/31=77	pc.	0,336
41KC17-S-MS	Brass	mauer KC17-S-Ms-3 sl 46/36=82	pc.	0,304
41KC18-S-MS	Brass	mauer KC18-S-Ms-3 sl 46/41=87	pc.	0,353
41KC19-S-MS	Brass	mauer KC19-S-Ms-3 sl 46/46=92	pc.	0,384
41KC20-S-MS	Brass	mauer KC20-S-Ms-3 sl 46/51=97	pc.	0,411

KEYS - STANDARD

- Brass nickelplated



Art.code	Surface	Article description	Unit	Weight
42-S	Bmn	Single key	pc.	0,000
42-S-HS	Bmn	Master key	pc.	0,000
42-S-G	Bmn	Group master key	St.	0,000

ELLSYS® - KNOB CYLINDERS

- Works with 125 kHz (EM4050) transponder technology
- Easy installation and use
- Installation without wiring
- Big knob outside, small knob inside
- User-cards available separately
- Cards and keyfobs from foreign systems (with EM transponder technology) can be used too
- Available in sizes 30/30 up to 70/70 mm



Art.code	Surface	Article description	Unit	Weight
51KC1-EMP	Bmn	mauer KC1-EM4050-ELLSys Private 30/30=60	pc.	0,000

ELLSYS® - DOUBLE CYLINDER SAFETY-VERSION

- Safety version
- Works with 125 kHz (EM4050) transponder technology.
- Easy installation and use.
- Installation without wiring.
- Small knob outside, big knob inside
- User-cards available separately
- Cards and keyfobs from foreign systems (with EM transponder technology) can be programmed too.
- Available in sizes 30/30 up to 70/70 mm.

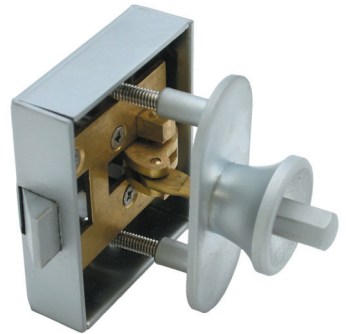


Art.code	Surface	Article description	Unit	Weight
51DKC1-EMP	Bmn	mauer DKC1-EM4050-ELLSys Private 30/30=60	pc.	0,000

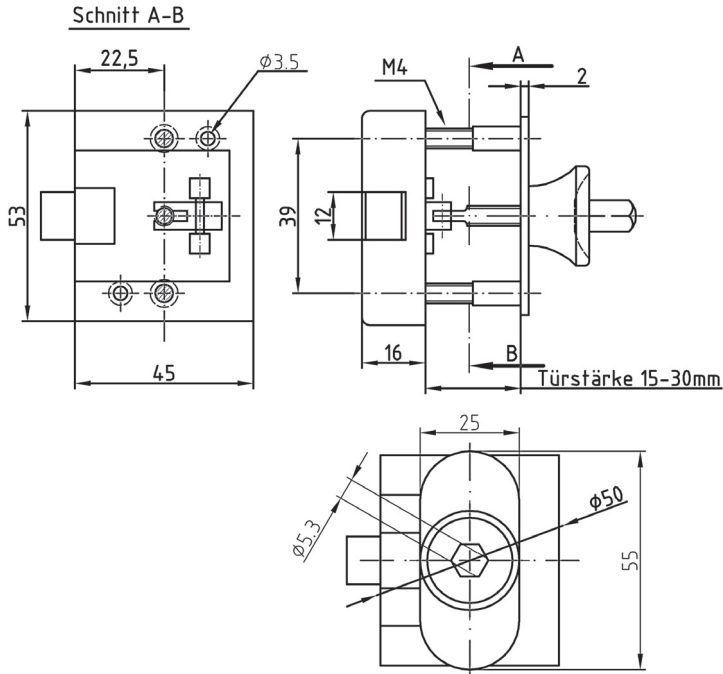
1503 SNAPPER - SNAPPER 45X53 MM

Interior snapper for Ri / Le and drawer usage

- Material: Brass Ms 58
- Available surfaces: Bp, Bpc and Bmc
- Striking plates or angles to be ordered separately
- For door thickness 15-30 mm



150370.9



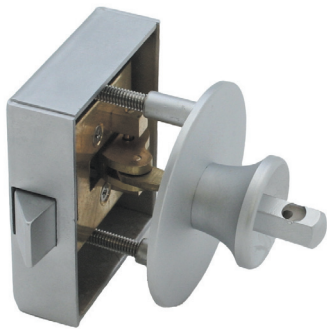
Art.code	Surface	Article description	Unit	Weight
150370.4	Bp	Press knob snapper 45x53 mm for Ri/Le and drawer usage	pc.	0,165
150370.6	Bpc	Press knob snapper 45x53 mm for Ri/Le and drawer usage	pc.	0,165
150370.9	Bmc	Press knob snapper 45x53 mm for Ri/Le and drawer usage	pc.	0,165
228008.9	Bmc	Striking plate for snappers group 15	pc.	0,009
228110.9	Bmc	Striking plate angled for press knob snappers, 1 mm	pc.	0,005

1510 SNAPPER LOCKABLE - SNAPPER 45X53 MM

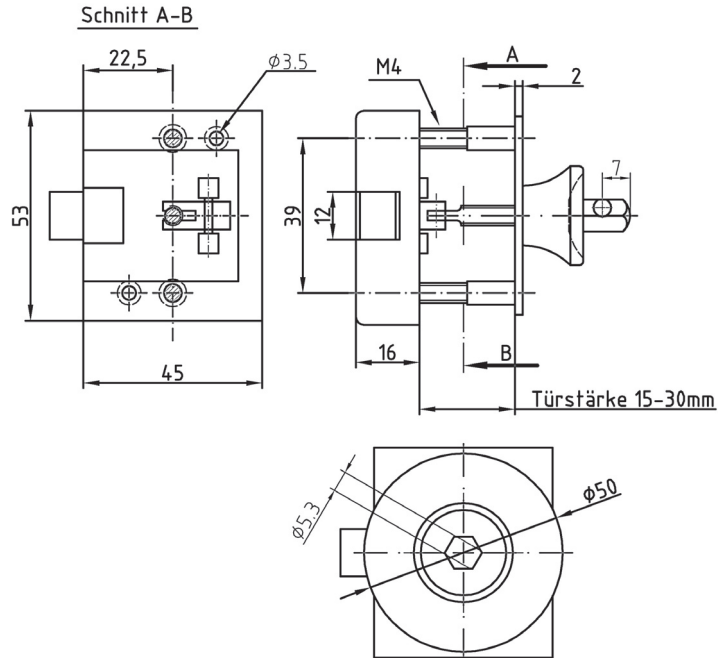
Interior locks for Ri / Le and drawer usage

- Material: Brass Ms 58
- Available surfaces: Bp, Bpc and Bmc

- Striking plates or angles to be ordered separately
- For door thickness 15-30 mm



151070.9

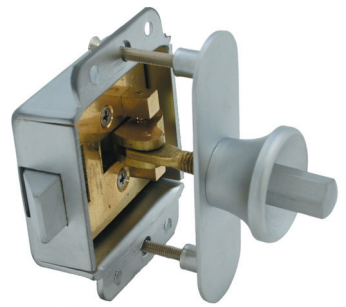


Art.code	Surface	Article description	Unit	Weight
151070.4	Bp	Press knob snapper 45x53 mm for Ri/Le and drawer usage lockable 5 mm hole	pc.	0,180
151070.6	Bpc	Press knob snapper 45x53 mm for Ri/Le and drawer usage lockable 5 mm hole	pc.	0,180
151070.9	Bmc	Press knob snapper 45x53 mm for Ri/Le and drawer usage lockable 5 mm hole	pc.	0,180
228008.9	Bmc	Striking plate for snappers group 15	pc.	0,009
228110.9	Bmc	Striking plate angled for press knob snappers, 1 mm	pc.	0,005

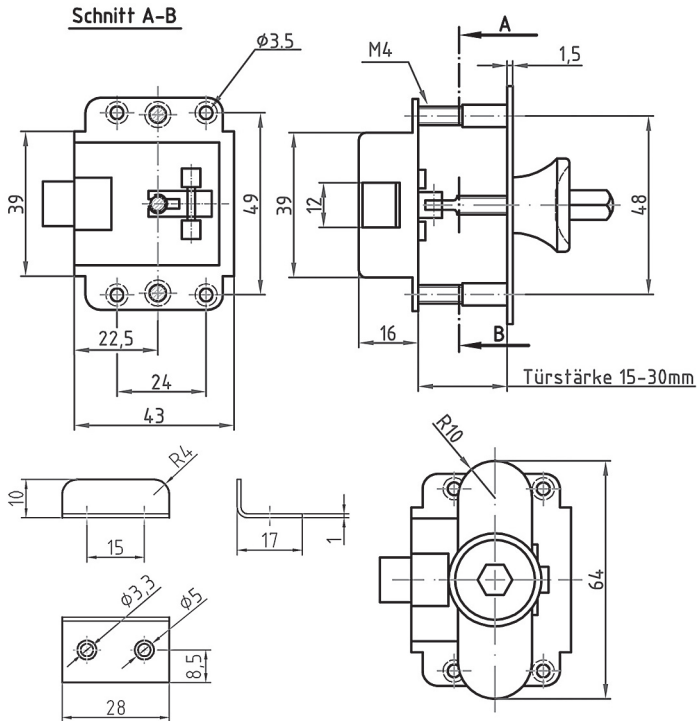
1513 RIM SNAPPER - SNAPPER 44X38 MM

Interior snapper for Ri / Le usage

- Material: Brass Ms 58
- Available surfaces: Bp, Bpc and Bmc
- Striking plates or angles to be ordered separately
- For door thickness 15-30 mm



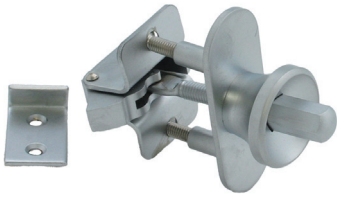
151370.9



Art.code	Surface	Article description	Unit	Weight
151370.4	Bp	Push rim lock 44x38 mm for Ri/Le usage without striking plate	pc.	0,145
151370.6	Bpc	Push rim lock 44x38 mm for Ri/Le usage without striking plate	pc.	0,145
151370.9	Bmc	Push rim lock 44x38 mm for Ri/Le usage without striking plate	pc.	0,145
228008.9	Bmc	Striking plate for Push rim locks group 15	pc.	0,009
228110.9	Bmc	Striking plate angled for Push rim locks, 1 mm	pc.	0,005

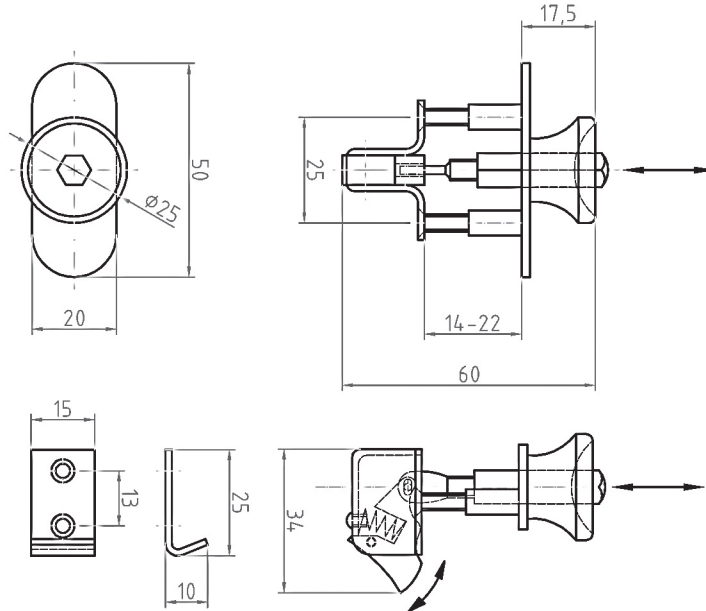
1515 PRESS KNOB SNAPPER - SNAPPER 1515

Interior snapper for Ri / Le and drawer usage



- Material: Brass Ms 58
- Available surfaces: Bp, Bpc and Bmc

- Striking plates or angles to be ordered separately
- For door thickness 14-22 mm



Art.code	Surface	Article description	Unit	Weight
151570.4	Bp	Press knob snapper front plate 50x20 mm for door thickness 14-22 mm	pc.	0,100
151570.6	Bpc	Press knob snapper front plate 50x20 mm for door thickness 14-22 mm	pc.	0,100
151570.9	Bmc	Press knob snapper front plate 50x20 mm for door thickness 14-22 mm	pc.	0,100
151571.4	Bp	Striking plate for press knob snapper No. 151570	pc.	0,007
151571.6	Bpc	Striking plate for press knob snapper No. 151570	pc.	0,007
151571.9	Bmc	Striking plate for press knob snapper No. 151570	pc.	0,007
228110.9	Bmc	Striking plate angled for press knob snapper, 1 mm	pc.	0,005

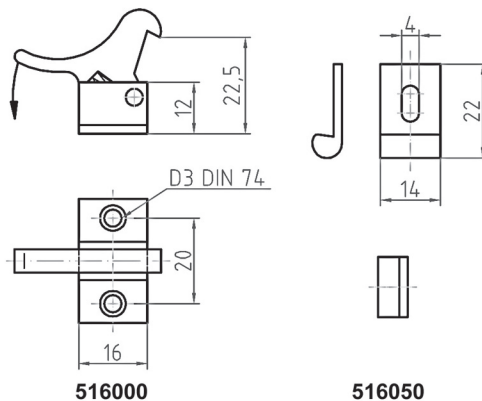
FINGER SNAPPER - SNAPPER 5160

Made of brass profile material



- Material: Brass Ms 58

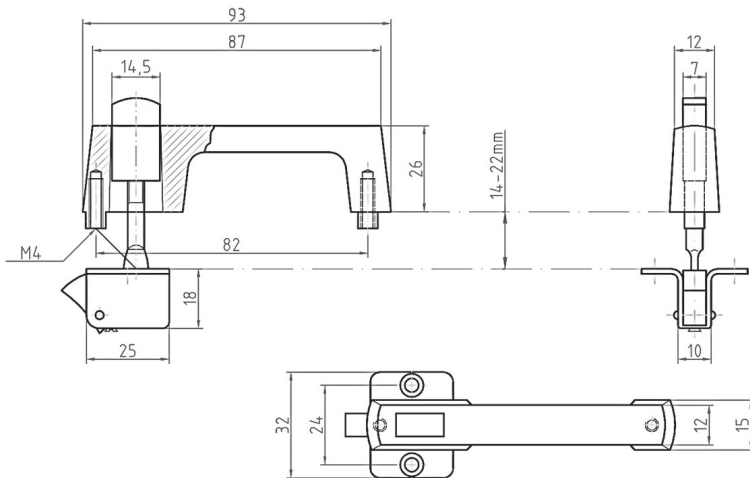
- Available in brass roll polished or chrome plated surface



Art.code	Surface	Article description	Unit	Weight
516000.1	Brp	Finger snapper with counter plate	pc.	0,060
516000.3	Brpc	Finger snapper with counter plate	pc.	0,060

GRIP SNAPPER - GRIP SNAPPER 1520

- Material: Brass Ms 58
- On request further door thicknesses
- Please order striking angles separately

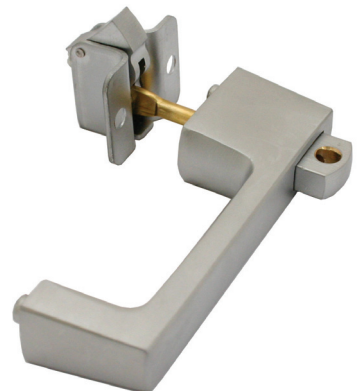
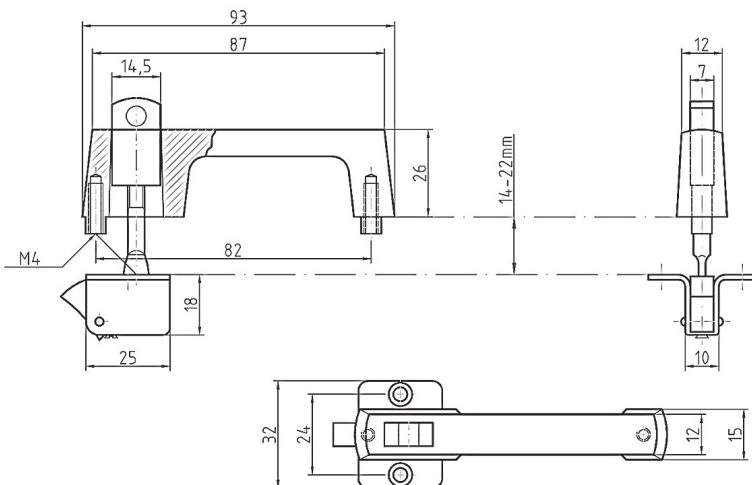


Art.code	Surface	Article description	Unit	Weight
152000.9	Bmc	Snapper with grip for right, left and drawer usage, door thickness 14-22 mm	pc.	0,185
228110.9	Bmc	Striking plate angled for press knob snapper, 1 mm	pc.	0,005

GRIP SNAPPER LOCKABLE - GRIP SNAPPER 1523

Lockable with padlock 5 mm

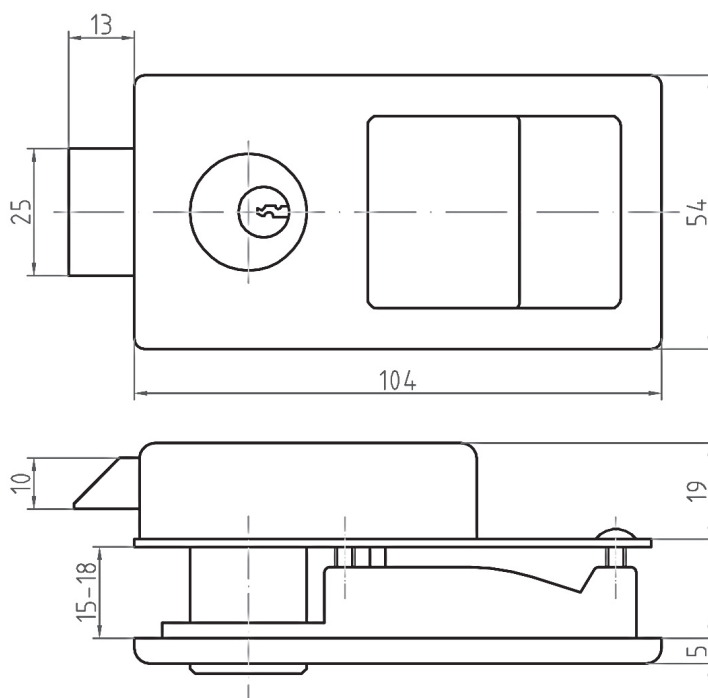
- Material: Brass Ms 58
- Further door thicknesses on request
- Please order striking angles separately



Art.code	Surface	Article description	Unit	Weight
152300.9	Bmc	Snapper with grip, for right, left and drawer usage, lockable, without striking plate, door thickness 14-22 mm	pc.	0,185
228110.9	Bmc	Striking plate angled for press knob snapper, 1 mm	pc.	0,005

CABINET LOCK FLAT WITH GRIP - CABINET LOCK 1525/26

- Material: Face plate in Al elox / Lock part in stainless steel
- For standard door thickness 15-18 mm

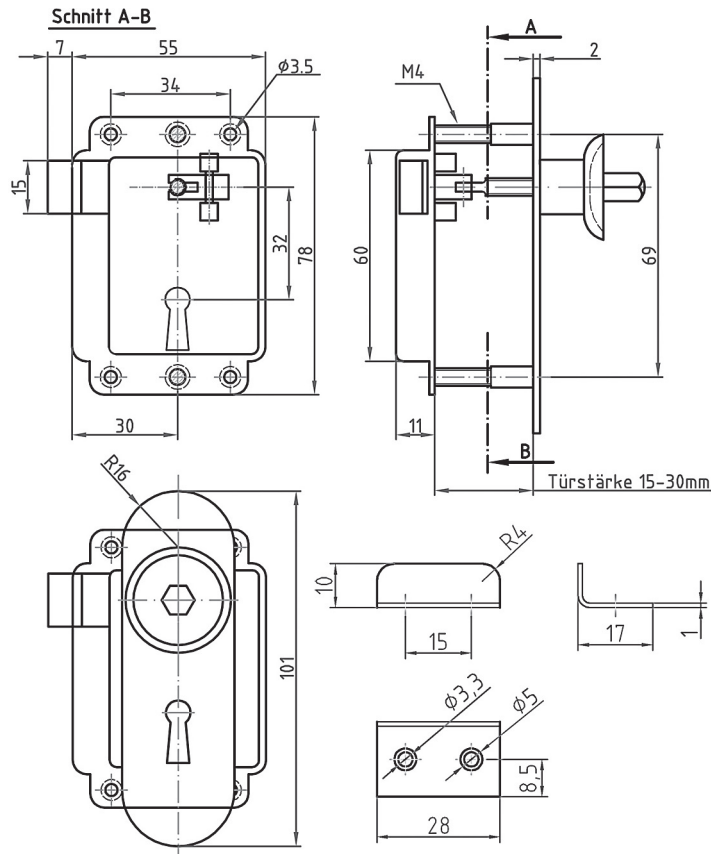
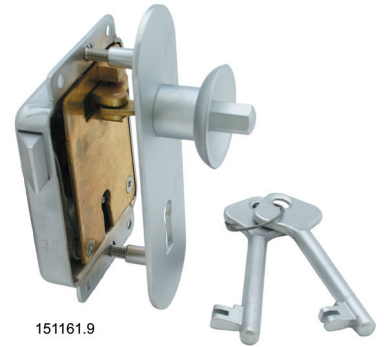


Art.code	Surface	Article description	Unit	Weight
152500.0	S/S matt	Snapper stainless steel, not lockable, for door cutout 94x46 mm, grip front plate Al anodized	pc.	0,270
152600.0	S/S matt	Snapper stainless steel, lockable, for door cutout 94x46 mm, grip front plate Al material	pc.	0,360
229000.0	Al anodized	Catch box 35x20 mm, big version, for snappers 1525 and 1526, Al anodized	pc.	0,012
229100.0	Al anodized	Catch box 35x30 mm, big version, for snappers 1525 and 1526, Al anodized	pc.	0,014

CABINET RIM LOCK 1511 WITH KEY HOLE - CABINET RIM LOCK 55X78 MM

Interior locks for Ri / Le and drawer usage with two keys

- Material: Brass Ms 58
- Available surfaces: Bp, Bpc and Bmc
- With key hole key alike or master key system
- Please order all striking plates separately
- Door thickness 15-30 mm



Art.code	Surface	Article description	Unit	Weight
151161.4	Bp	Push rim lock 55x78 mm, key hole, Right	pc.	0,290
151161.6	Bpc	Push rim lock 55x78 mm, key hole, Right	pc.	0,290
151161.9	Bmc	Push rim lock 55x78 mm, key hole, Right	pc.	0,290
151162.4	Bp	Push rim lock 55x78 mm, key hole, Left	pc.	0,290
151162.6	Bpc	Push rim lock 55x78 mm, key hole, Left	pc.	0,290
151162.9	Bmc	Push rim lock 55x78 mm, key hole, Left	pc.	0,290
151163.4	Bp	Push rim lock 55x78 mm, key hole, drawer usage	pc.	0,290
151163.6	Bpc	Push rim lock 55x78 mm, key hole, drawer usage	pc.	0,290
151163.9	Bmc	Push rim lock 55x78 mm, key hole, drawer usage	pc.	0,290
228110.4	Bp	Striking plate angled for push rim locks, 1 mm	pc.	0,005
228110.6	Bpc	Striking plate angled for push rim locks, 1 mm	pc.	0,005
228110.9	Bmc	Striking plate angled for push rim locks, 1 mm	pc.	0,005

CABINET RIM LOCK 1512 WITH PROFILE CYLINDER - CABINET RIM LOCK 55X78 MM

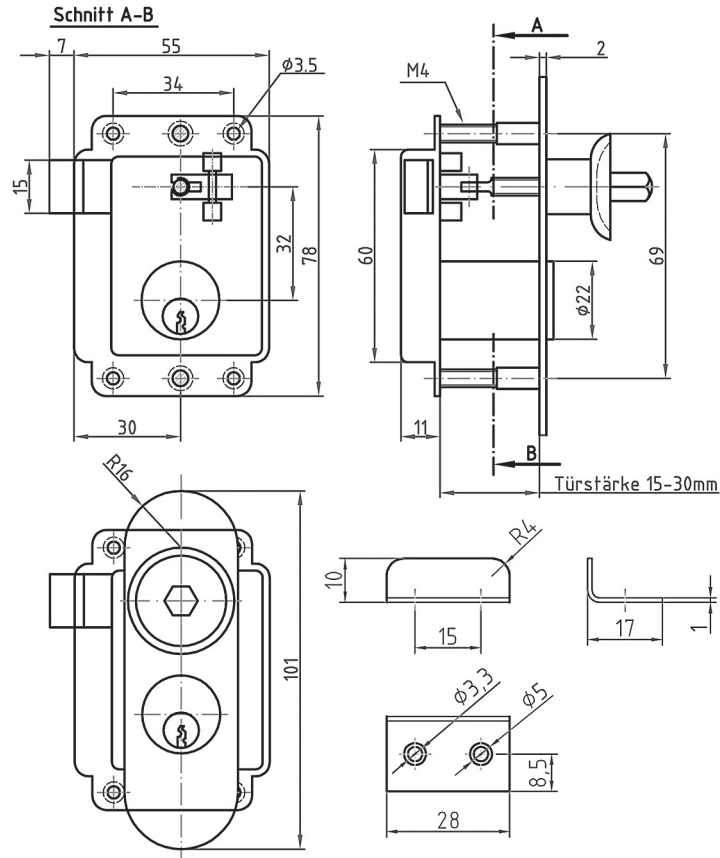
Interior locks for Ri / Le and drawer usage

- Material: Brass Ms 58
- Available surfaces: Bp, Bpc and Bmc
- With round profile cylinder key alike or master key system

- Please order all striking plates separately
- Door thickness 15-30 mm



151261.9

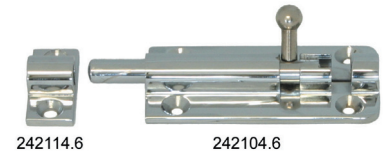
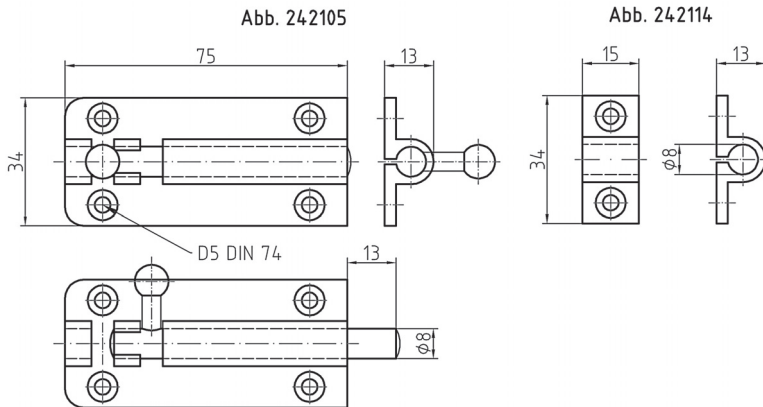


Art.code	Surface	Article description	Unit	Weight
151261.4	Bp	Push rim lock 55x78 mm, with brass profile cylinder, Right	pc.	0,295
151261.6	Bpc	Push rim lock 55x78 mm, with brass profile cylinder, Right	pc.	0,295
151261.9	Bmc	Push rim lock 55x78 mm, with brass profile cylinder, Right	pc.	0,295
151262.4	Bp	Push rim lock 55x78 mm, with brass profile cylinder, Left	pc.	0,295
151262.6	Bpc	Push rim lock 55x78 mm, with brass profile cylinder, Left	pc.	0,295
151262.9	Bmc	Push rim lock 55x78 mm, with brass profile cylinder, Left	pc.	0,295
151263.4	Bp	Push rim lock 55x78 mm, with brass profile cylinder, drawer usage	pc.	0,295
151263.6	Bpc	Push rim lock 55x78 mm, with brass profile cylinder, drawer usage	pc.	0,295
151263.9	Bmc	Push rim lock 55x78 mm, with brass profile cylinder, drawer usage	pc.	0,295
228110.4	Bp	Striking plate angled for push rim locks, 1 mm	pc.	0,005
228110.6	Bpc	Striking plate angled for push rim locks, 1 mm	pc.	0,005
228110.9	Bmc	Striking plate angled for push rim locks, 1 mm	pc.	0,005

PIN BOLTS BRASS - PIN BOLTS DIN 81411

• Material: Brass Ms 58

• Available surfaces: Bp, Bpc and Bmc

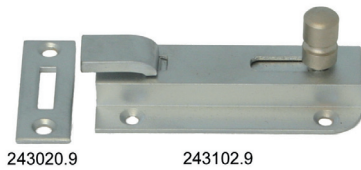


Art.code	Surface	Article description	Unit	Weight
242103.4	Bp	Pin bolt 10 mm, 100x45 mm, Bolt 10 mm, DIN 81411	pc.	0,150
242103.6	Bpc	Pin bolt 10 mm, 100x45 mm, Bolt 10 mm, DIN 81411	pc.	0,150
242103.9	Bmc	Pin bolt 10 mm, 100x45 mm, Bolt 10 mm, DIN 81411	pc.	0,150
242104.4	Bp	Pin bolt 8 mm, 75x34 mm, Bolt 8 mm, DIN 81411	pc.	0,120
242104.6	Bpc	Pin bolt 8 mm, 75x34 mm, Bolt 8 mm, DIN 81411	pc.	0,120
242104.9	Bmc	Pin bolt 8 mm, 75x34 mm, Bolt 8 mm, DIN 81411	pc.	0,120
242105.4	Bp	Pin bolt 8 mm, 50x34 mm, Bolt 8 mm, DIN 81411	pc.	0,075
242105.6	Bpc	Pin bolt 8 mm, 50x34 mm, Bolt 8 mm, DIN 81411	pc.	0,075
242105.9	Bmc	Pin bolt 8 mm, 50x34 mm, Bolt 8 mm, DIN 81411	pc.	0,075
242106.4	Bp	Pin bolt 6 mm, 50x28 mm, Bolt 6 mm, DIN 81411	pc.	0,050
242106.6	Bpc	Pin bolt 6 mm, 50x28 mm, Bolt 6 mm, DIN 81411	pc.	0,050
242106.9	Bmc	Pin bolt 6 mm, 50x28 mm, Bolt 6 mm, DIN 81411	pc.	0,050
242111.4	Bp	Striking bush for pin bolt 10 mm	pc.	0,010
242111.6	Bpc	Striking bush for pin bolt 10 mm	pc.	0,010
242111.9	Bmc	Striking bush for pin bolt 10 mm	pc.	0,010
242114.4	Bp	Striking bush for pin bolt 8 mm	pc.	0,016
242114.6	Bpc	Striking bush for pin bolt 8 mm	pc.	0,016
242114.9	Bmc	Striking bush for pin bolt 8 mm	pc.	0,016
242116.4	Bp	Striking bush for pin bolt 6 mm	pc.	0,010
242116.6	Bpc	Striking bush for pin bolt 6 mm	pc.	0,010
242116.9	Bmc	Striking bush for pin bolt 6 mm	pc.	0,010

BOLTS - BOLTS CRANKED

• Material: Brass Ms 58

• Available surfaces: Bp, Bpc and Bmc



243020.9

243102.9

Abb. 243102

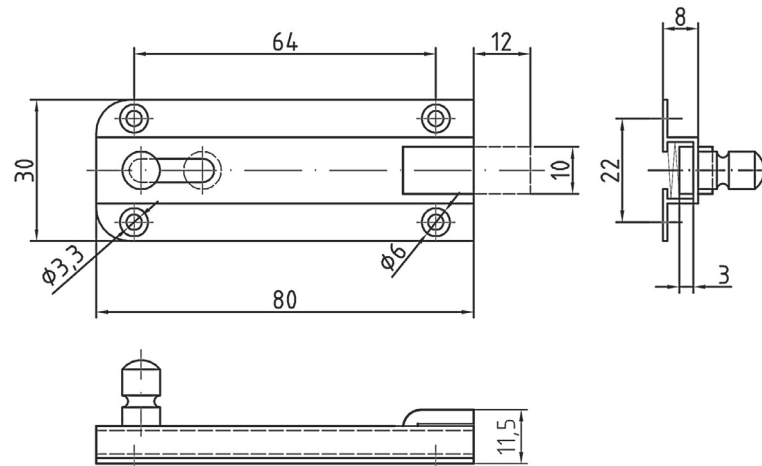
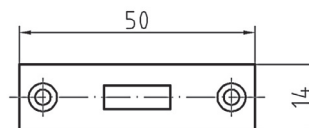


Abb. 243020

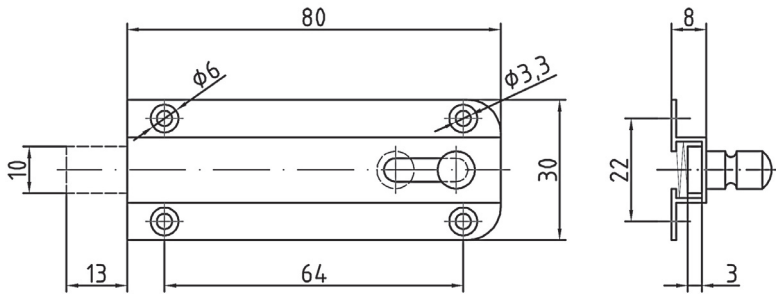


Art.code	Surface	Article description	Unit	Weight
243102.4	Bp	Cabinet bolt cranked 80 mm	pc.	0,050
243102.6	Bpc	Cabinet bolt cranked 80 mm	pc.	0,050
243102.9	Bmc	Cabinet bolt cranked 80 mm	pc.	0,050
243103.4	Bp	Cabinet bolt cranked 60 mm	pc.	0,045
243103.6	Bpc	Cabinet bolt cranked 60 mm	pc.	0,045
243103.9	Bmc	Cabinet bolt cranked 60 mm	pc.	0,045
243104.4	Bp	Cabinet bolt cranked 50 mm	pc.	0,040
243104.6	Bpc	Cabinet bolt cranked 50 mm	pc.	0,040
243104.9	Bmc	Cabinet bolt cranked 50 mm	pc.	0,040
243010.4	Bp	Striking loop for cabinet bolt	pc.	0,006
243010.6	Bpc	Striking loop for cabinet bolt	pc.	0,006
243010.9	Bmc	Striking loop for cabinet bolt	pc.	0,006
243020.4	Bp	Striking plate for cabinet bolt	pc.	0,006
243020.6	Bpc	Striking plate for cabinet bolt	pc.	0,006
243020.9	Bmc	Striking plate for cabinet bolt	pc.	0,006

BOLTS - FLAT BOLTS STRAIGHT

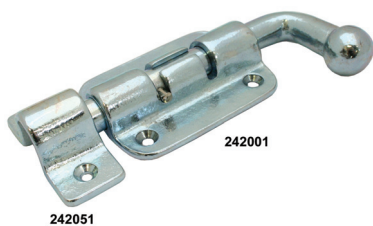
• Material: Brass Ms 58

• Available surfaces: Bp, Bpc and Bmc



Art.code	Surface	Article description	Unit	Weight
243002.4	Bp	Flat bolt 80 mm	pc.	0,054
243002.6	Bpc	Flat bolt 80 mm	pc.	0,054
243002.9	Bmc	Flat bolt 80 mm	pc.	0,054
243003.4	Bp	Flat bolt 60 mm	pc.	0,045
243003.6	Bpc	Flat bolt 60 mm	pc.	0,045
243003.9	Bmc	Flat bolt 60 mm	pc.	0,045
243004.4	Bp	Flat bolt 50 mm	pc.	0,040
243004.6	Bpc	Flat bolt 50 mm	pc.	0,040
243004.9	Bmc	Flat bolt 50 mm	pc.	0,040
243010.4	Bp	Striking loop for cabinet bolt	pc.	0,006
243010.6	Bpc	Striking loop for cabinet bolt	pc.	0,006
243010.9	Bmc	Striking loop for cabinet bolt	pc.	0,006
243020.4	Bp	Striking plate for cabinet bolt	pc.	0,006
243020.6	Bpc	Striking plate for cabinet bolt	pc.	0,006
243020.9	Bmc	Striking plate for cabinet bolt	pc.	0,006

BOLTS - PIN BOLTS HEAVY VERSION



- Material: Brass Ms 63 or steel and zinc plated
- Available surfaces in brass: Bp, Bpc and Bmc

- Striking plate for pin bolt on request
- Loop eye to be ordered separately

Abb. 242001

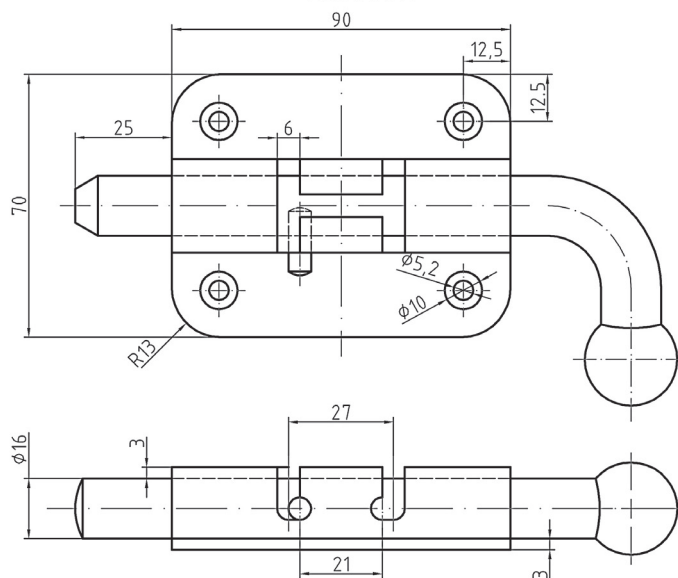
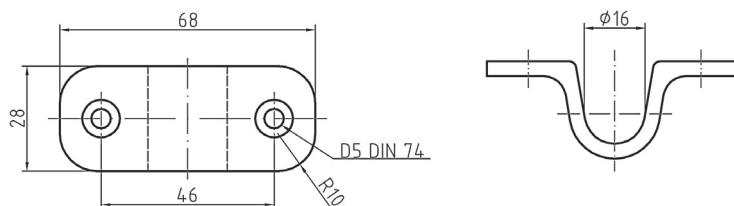


Abb. 242051

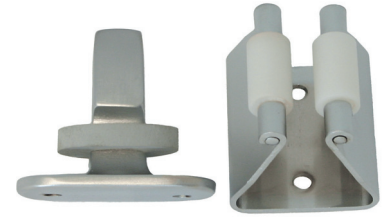
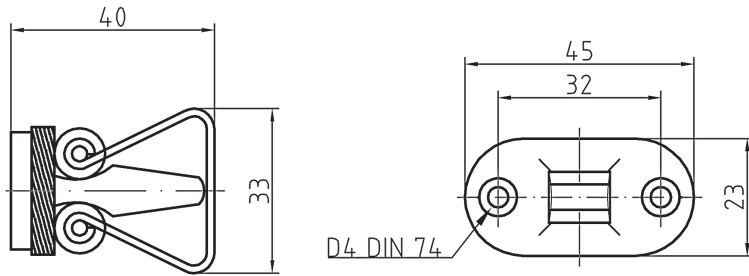


Art.code	Surface	Article description	Unit	Weight
242001.0	Stz	Pin bolt 90x70 mm, 16 mm bolt, without loop eye	pc.	0,440
242001.4	Bp	Pin bolt 90x70 mm, 16 mm bolt, without loop eye	pc.	0,550
242001.6	Bpc	Pin bolt 90x70 mm, 16 mm bolt, without loop eye	pc.	0,550
242001.9	Bmc	Pin bolt 90x70 mm, 16 mm bolt, without loop eye	pc.	0,550
242002.0	Stz	Pin bolt 60x50 mm, 10 mm bolt, without loop eye	pc.	0,100
242002.4	Bp	Pin bolt 60x50 mm, 10 mm bolt, without loop eye	pc.	0,140
242002.6	Bpc	Pin bolt 60x50 mm, 10 mm bolt, without loop eye	pc.	0,152
242002.9	Bmc	Pin bolt 60x50 mm, 10 mm bolt, without loop eye	pc.	0,150
242051.0	Stz	Loop eye for pin bolt 90x70 mm, for 16 mm bolt	pc.	0,030
242051.4	Bp	Loop eye for pin bolt 90x70 mm, for 16 mm bolt	pc.	0,045
242051.6	Bpc	Loop eye for pin bolt 90x70 mm, for 16 mm bolt	pc.	0,045
242051.9	Bmc	Loop eye for pin bolt 90x70 mm, for 16 mm bolt	pc.	0,045
242052.0	Stz	Loop eye for pin bolt 60x50 mm, for 10 mm bolt	pc.	0,010
242052.4	Bp	Loop eye for pin bolt 60x50 mm, for 10 mm bolt	pc.	0,018
242052.6	Bpc	Loop eye for pin bolt 60x50 mm, for 10 mm bolt	pc.	0,018
242052.9	Bmc	Loop eye for pin bolt 60x50 mm, for 10 mm bolt	pc.	0,018

DOOR STOPPERS DIN 81409 A - DOOR STOPPERS 40 MM WITH SPRING CLIP

• Material: Ms 63

• Komplett mit Federklemme

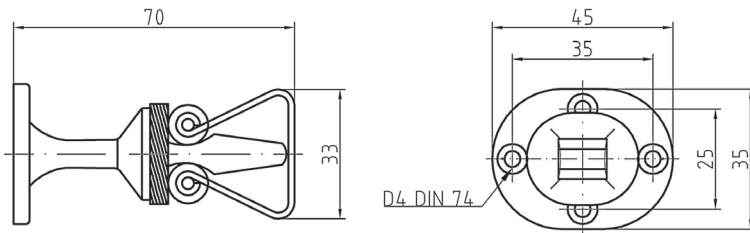


Art.code	Surface	Article description	Unit	Weight
253301.4	Bp	Spring-type door holder 40 mm	pc.	0,100
253301.6	Bpc	Spring-type door holder 40 mm	pc.	0,100
253301.9	Bmc	Spring-type door holder 40 mm	pc.	0,100
253199.4	Bp	Single spring clip for door holder group 2531, 2532 and 2533÷	pc.	0,025
253199.6	Bpc	Single spring clip for door holder group 2531, 2532 and 2533÷	pc.	0,025
253199.9	Bmc	Single spring clip for door holder group 2531, 2532 and 2533÷	pc.	0,025
N-253301.4	S/S polished	Spring-type door holder 40 mm, stainless steel polished	pc.	0,120
N-253301.9	S/S matt	Spring-type door holder 40 mm, stainless steel matt	pc.	0,120

DOOR STOPPERS DIN 81409 B - DOOR STOPPERS 70 MM WITH SPRING CLIP

• Material: Ms 63 oder Edelstahl

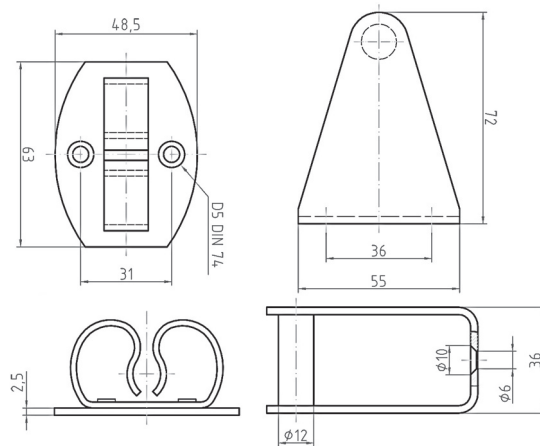
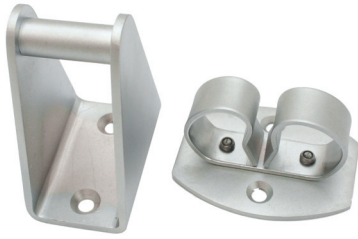
• Komplett mit Federklemme



Art.code	Surface	Article description	Unit	Weight
253101.4	Bp	Spring-type door holder heavy, 70 mm	pc.	0,160
253101.6	Bpc	Spring-type door holder heavy, 70 mm	pc.	0,160
253101.9	Bmc	Spring-type door holder heavy, 70 mm	pc.	0,160
253199.4	Bp	Single spring clip for door holder group 2531, 2532 and 2533÷	pc.	0,025
253199.6	Bpc	Single spring clip for door holder group 2531, 2532 and 2533÷	pc.	0,025
253199.9	Bmc	Single spring clip for door holder group 2531, 2532 and 2533÷	pc.	0,025
N-253101.4	S/S polished	Spring-type door holder heavy, 70 mm	pc.	0,185
N-253101.9	S/S matt	Spring-type door holder heavy, 70 mm	pc.	0,185

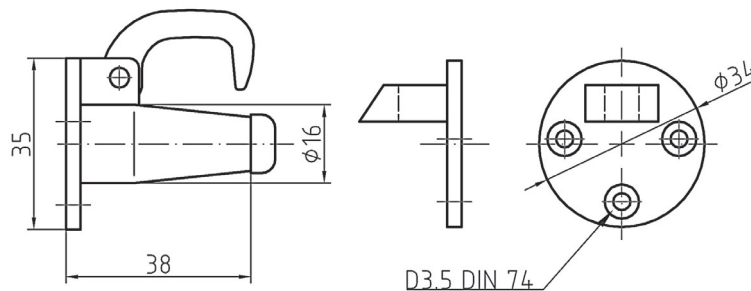
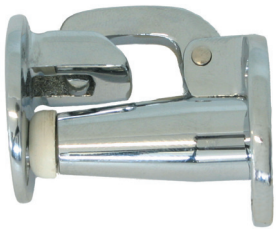
SPRING CLIPS 45/70 NMM - SPRING CLIPS 45/70 MM BRASS

• Material: Brass Ms 63



Art.code	Surface	Article description	Unit	Weight
253001.4	Bp	Spring clip with counter part 70 mm	pc.	0,285
253001.6	Bpc	Spring clip with counter part 70 mm	pc.	0,285
253001.9	Bmc	Spring clip with counter part 70 mm	pc.	0,285
253002.4	Bp	Spring clip with counter part 45 mm	pc.	0,245
253002.6	Bpc	Spring clip with counter part 45 mm	pc.	0,245
253002.9	Bmc	Spring clip with counter part 45 mm	pc.	0,245

DOOR STOPPERS SMALL - DOOR STOPPERS 38 MM SMALL VERSION

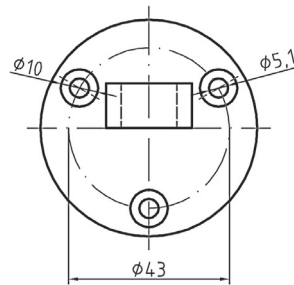
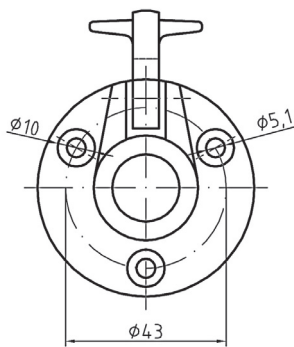
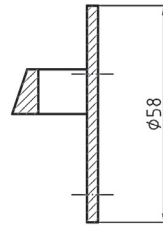
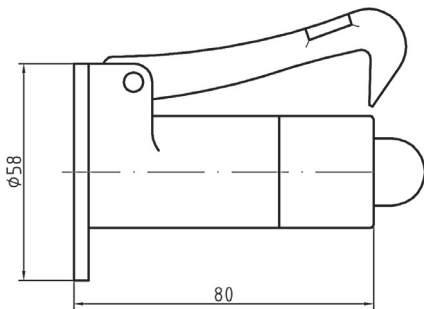


Art.code	Surface	Article description	Unit	Weight
251300.4	Bp	Door stopper small 38 mm with catch plate	pc.	0,100
251300.6	Bpc	Door stopper small 38 mm with catch plate	pc.	0,100
251300.9	Bmc	Door stopper small 38 mm with catch plate	pc.	0,100

DOOR STOPPERS 80 MM ADJUSTABLE - DOOR STOPPERS 80 MM ADJUSTABLE

• Material: Brass Ms 63

• Complete with counter plate



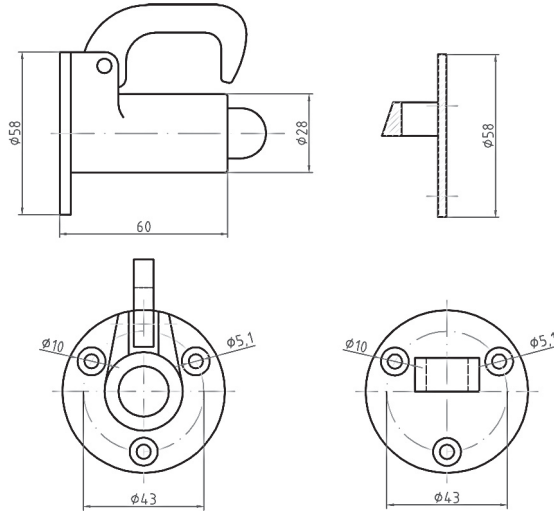
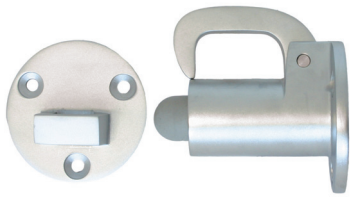
Art.code	Surface	Article description	Unit	Weight
251101.4	Bp	Door stopper adjustable, L=80 D=56 mm with counter plate	pc.	0,400
251101.6	Bpc	Door stopper adjustable, L=80 D=56 mm with counter plate	pc.	0,400
251101.9	Bmc	Door stopper adjustable, L=80 D=56 mm with counter plate	pc.	0,400
251290.4	Bp	Single counter plate for door stopper series 2511 and 2512	pc.	0,080
251290.6	Bpc	Single counter plate for door stopper series 2511 and 2512	pc.	0,080
251290.9	Bmc	Single counter plate for door stopper series 2511 and 2512	pc.	0,080

DOOR STOPPERS 60 MM DIN 81406 A - DOOR STOPPERS 60 MM

Material: Ms 63 or A4

- Available in Material brass Ms 63 or stainless steel brushed, polished or satin matt

- Complete with counter plate
- Counter plate available in all surfaces as single part

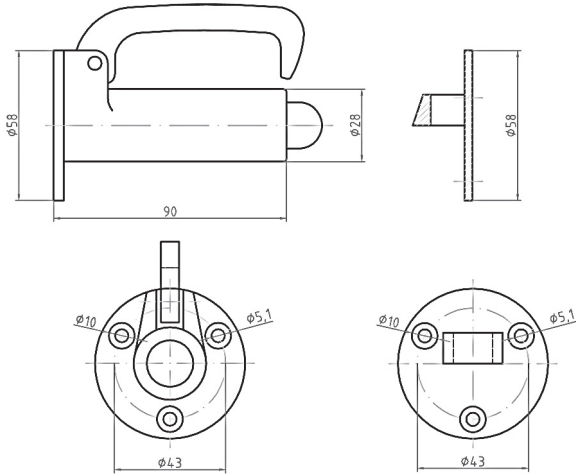
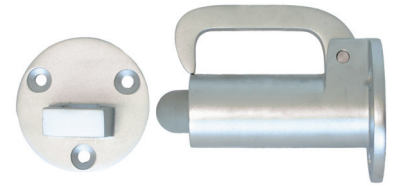


Art.code	Surface	Article description	Unit	Weight
251201.4	Bp	Door stopper DIN 81406 A, 60 mm with catch plate	pc.	0,430
251201.6	Bpc	Door stopper DIN 81406 A, 60 mm with catch plate	pc.	0,430
251201.9	Bmc	Door stopper DIN 81406 A, 60 mm with catch plate	pc.	0,430
251290.4	Bp	Single counter plate for door stopper series 2511, 2512 and 2515	pc.	0,040
251290.6	Bpc	Single counter plate for door stopper series 2511, 2512 and 2515	pc.	0,040
251290.9	Bmc	Single counter plate for door stopper series 2511, 2512 and 2515	pc.	0,040
N-251201.0	S/S brushed	Door stopper DIN 81406 A, 60 mm with catch plate	pc.	0,390
N-251201.4	S/S polished	Door stopper DIN 81406 A, 60 mm with catch plate	pc.	0,390
N-251201.9	S/S matt	Door stopper DIN 81406 A, 60 mm with catch plate	pc.	0,390
N-251290.0	S/S brushed	Single counter plate for door stopper series 2511, 2512 and 2515	pc.	0,040
N-251290.4	S/S polished	Single counter plate for door stopper series 2511, 2512 and 2515	pc.	0,040
N-251290.9	S/S matt	Single counter plate for door stopper series 2511, 2512 and 2515	pc.	0,040

DOOR STOPPERS 90 MM DIN 81406 A - DOOR STOPPERS 90 MM

Material: Ms 63 or A4

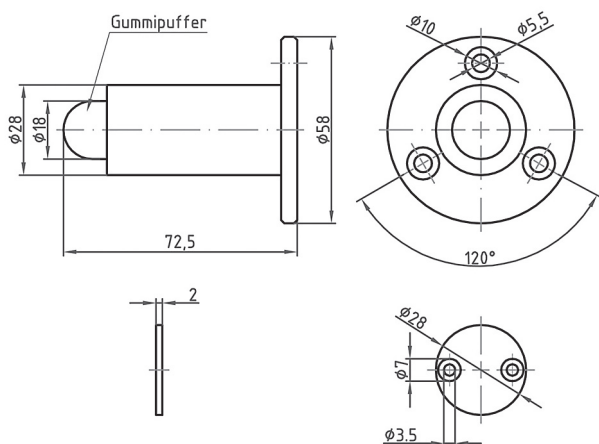
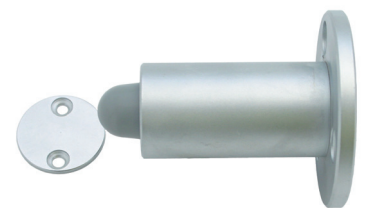
- Available in Material brass Ms 63 or stainless steel brushed, polished or satin matt
- Complete with counter plate
- Counter plate available in all surfaces as single part



Art.code	Surface	Article description	Unit	Weight
251501.4	Bp	Door stopper DIN 81406 A, 90 mm with catch plate	pc.	0,490
251501.6	Bpc	Door stopper DIN 81406 A, 90 mm with catch plate	pc.	0,490
251501.9	Bmc	Door stopper DIN 81406 A, 90 mm with catch plate	pc.	0,490
251290.4	Bp	Single counter plate for door stopper series 2511, 2512 and 2515	pc.	0,040
251290.6	Bpc	Single counter plate for door stopper series 2511, 2512 and 2515	pc.	0,040
251290.9	Bmc	Single counter plate for door stopper series 2511, 2512 and 2515	pc.	0,040
N-251501.0	S/S brushed	Door stopper DIN 81406 A, 90 mm with catch plate	pc.	0,440
N-251501.4	S/S polished	Door stopper DIN 81406 A, 90 mm with catch plate	pc.	0,440
N-251501.9	S/S matt	Door stopper DIN 81406 A, 90 mm with catch plate	pc.	0,440
N-251290.0	S/S brushed	Single counter plate for door stopper series 2511, 2512 and 2515	pc.	0,040
N-251290.4	S/S polished	Single counter plate for door stopper series 2511, 2512 and 2515	pc.	0,040
N-251290.9	S/S matt	Single counter plate for door stopper series 2511, 2512 and 2515	pc.	0,040

DOOR STOPPER 75 MM - DOOR STOPPERS 75 MM BRASS

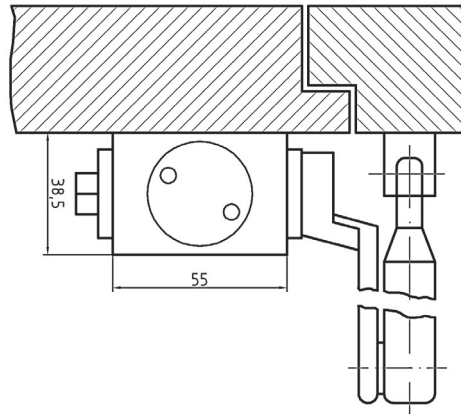
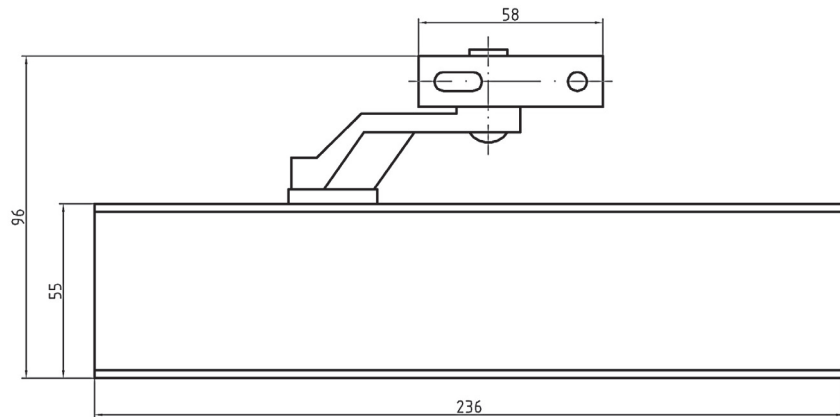
- Material: Brass Ms 63
- Complete with counter plate



Art.code	Surface	Article description	Unit	Weight
251401.4	Bp	Door stopper non adjustable 75 mm with buffer plate	pc.	0,230
251401.6	Bpc	Door stopper non adjustable 75 mm with buffer plate	pc.	0,230
251401.9	Bmc	Door stopper non adjustable 75 mm with buffer plate	pc.	0,230

DOOR CLOSER EN 1154 A - DOOR CLOSER FOR FIRE DOORS EN 1154 A

- For in/outside doors with max. width of 1250 mm
- Approved to EN 1154 A
- For right or left doors
- Closing speed progressively adjustable
- Assembly without fixing plate



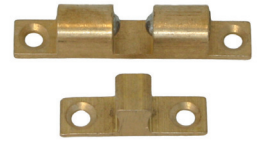
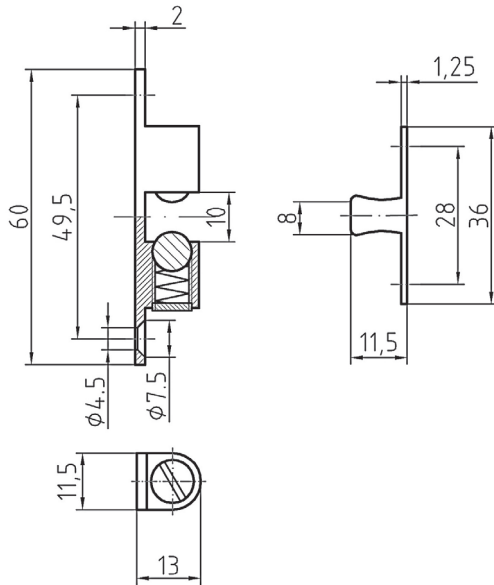
Art.code	Surface	Article description	Unit	Weight
OTS-9006.0	RAL 9006 silver	Door closing set 236x55x38 mm for in/outside doors for right and left usage, RAL 9006 silver	pc.	2,110
OTS-9016.0	RAL 9016 white	Door closing set 236x55x38 mm for in/outside doors for right and left usage, RAL 9016 white	pc.	2,110
OTS-8014.0	RAL 8014 brown	Door closing set 236x55x38 mm for in/outside doors for right and left usage, RAL 8014 brown	pc.	2,110

BALL CATCHERS - BALL CATCHERS 2540

• Surface raw brass untreated

• Also available nickel plated

Abb. 254002



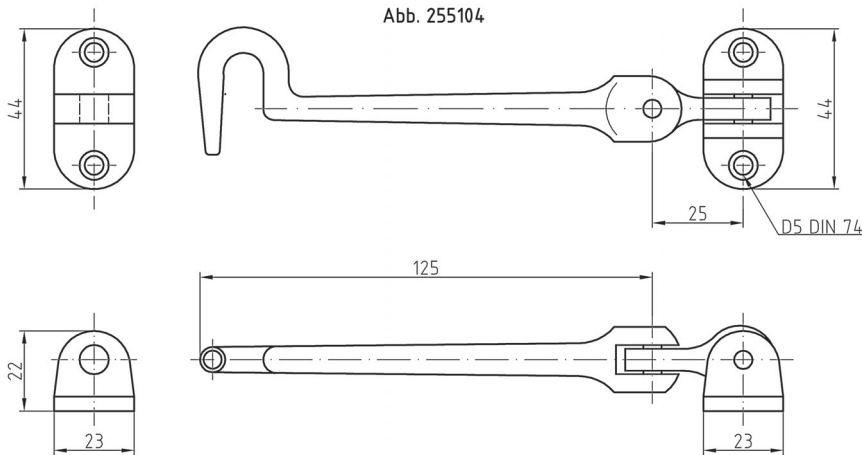
Art.code	Surface	Article description	Unit	Weight
254001.1	Brass	Ball catch 70x13 mm	pc.	0,040
254002.1	Brass	Ball catch 60x10 mm	pc.	0,027
254003.1	Brass	Ball catch 50x9 mm	pc.	0,020
254004.1	Brass	Ball catch 44x8 mm	pc.	0,016

ARTICULATED HOOKS - ARTICULATED HOOKS HEAVY VERSION

• Material: Brass Ms 63

• Available surfaces: Bp, Bpc and Bmc

Abb. 255104



Art.code	Surface	Article description	Unit	Weight
255101.4	Bp	Articulated hook 200 mm, heavy version complete with eyelet	pc.	0,230
255102.4	Bp	Articulated hook 175 mm, heavy version complete with eyelet	pc.	0,210
255103.4	Bp	Articulated hook 150 mm, heavy version complete with eyelet	pc.	0,180
255104.4	Bp	Articulated hook 125 mm, heavy version complete with eyelet	pc.	0,160
255105.4	Bp	Articulated hook 100 mm, heavy version complete with eyelet	pc.	0,140
255106.4	Bp	Articulated hook 75 mm, heavy version complete with eyelet	pc.	0,120
255350.4	Bp	Counter eyelet plate for door hook serie No. 2553 up to 200 mm, casted	pc.	0,020

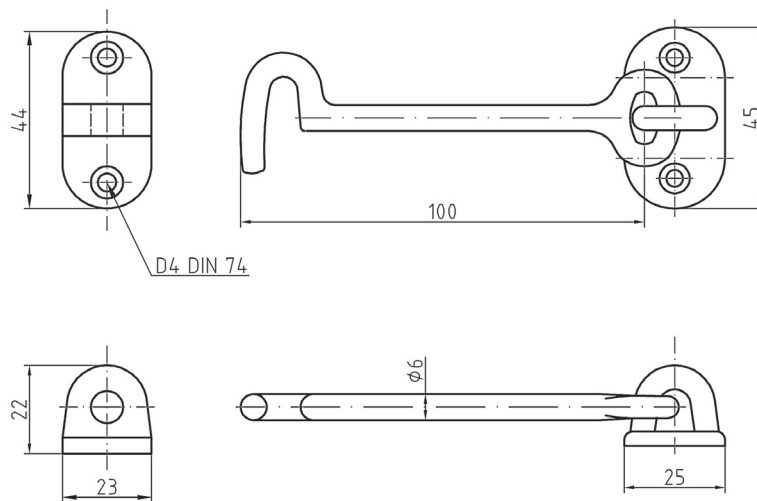
DOOR HOOKS - DOOR HOOK MEDIUM VERSION

• Material: Brass Ms 63

• Available surfaces: Bp, Bpc and Bmc



Abb. 255305



Art.code	Surface	Article description	Unit	Weight
255303.4	Bp	Door hook 150 mm complete with counter plate, light version	pc.	0,130
255304.4	Bp	Door hook 125 mm complete with counter plate, light version	pc.	0,130
255305.4	Bp	Door hook 100 mm complete with counter plate, light version	pc.	0,100
255306.4	Bp	Door hook 75 mm complete with counter plate, light version	pc.	0,100
255307.4	Bp	Door hook 50 mm complete with counter plate, light version	pc.	0,070
255350.4	Bp	Counter eyelet plate for door hook serie No. 2553 up to 200 mm, casted	pc.	0,020

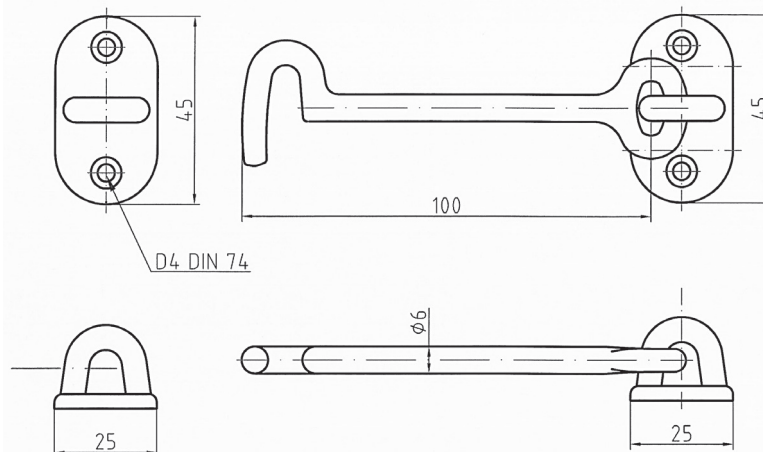
DOOR HOOKS - DOOR HOOK LIGHT VERSION

• Material: Brass Ms 63

• Available surfaces: Bp, Bpc and Bmc



Abb. 255505



Art.code	Surface	Article description	Unit	Weight
255501.4	Bp	Door hook 200 mm, heavy version, complete with counter eyelet	pc.	0,150
255502.4	Bp	Door hook 175 mm, heavy version, complete with counter eyelet	pc.	0,135
255503.4	Bp	Door hook 150 mm, heavy version, complete with counter eyelet	pc.	0,120
255504.4	Bp	Door hook 125 mm, heavy version, complete with counter eyelet	pc.	0,115
255505.4	Bp	Door hook 100 mm, heavy version, complete with counter eyelet	pc.	0,100
255506.4	Bp	Door hook 75 mm, heavy version, complete with counter eyelet	pc.	0,080
255550.4	Bp	Counter plate for door hook serie No. 2555 up to 200 mm stamped version	pc.	0,020

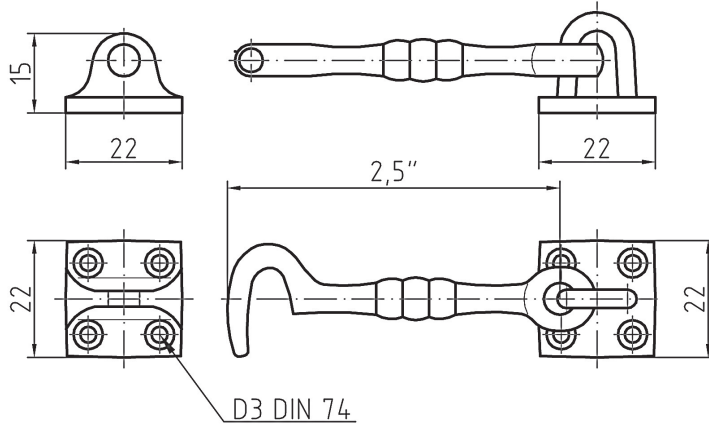
DOOR HOOKS - CABIN HOOKS

• Material: Brass Ms 63

• Available surfaces: Brp or Brn



Abb. 255608



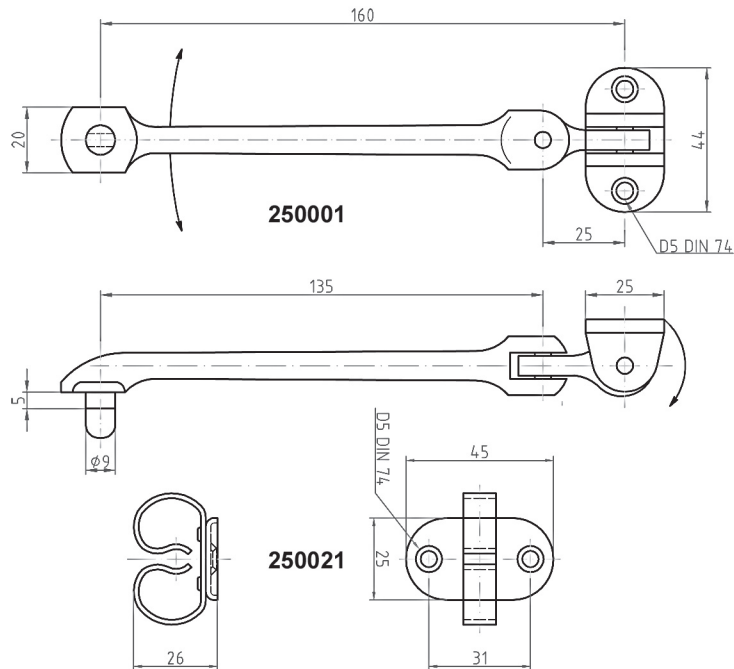
Art.code	Surface	Article description	Unit	Weight
255601.1	Brp	Cabin hook 10", with counter plate	pc.	0,340
255602.1	Brp	Cabin hook 8", with counter plate	pc.	0,245
255603.1	Brp	Cabin hook 6", with counter plate	pc.	0,110
255604.1	Brp	Cabin hook 5", with counter plate	pc.	0,070
255605.1	Brp	Cabin hook 4", with counter plate	pc.	0,060
255606.1	Brp	Cabin hook 3,5", with counter plate	pc.	0,040
255607.1	Brp	Cabin hook 3", with counter plate	pc.	0,040
255608.1	Brp	Cabin hook 2,5", with counter plate	pc.	0,030
255609.1	Brp	Cabin hook 2", with counter plate	pc.	0,030
255696.1	Brp	Counter plate 40x45 mm for cabin hooks 10" and 12"	pc.	0,080
255697.1	Brp	Counter plate 40x45 mm for cabin hooks 8"	pc.	0,050
255698.1	Brp	Counter plate 40x45 mm for cabin hooks 6"	pc.	0,020
255699.1	Brp	Counter plate 40x45 mm for cabin hooks 2"-5"	pc.	0,020

AJAR HOOKS - AJAR HOOK DIN 81319



• Material: Brass Ms 63

• Available surfaces: Bp, Bpc and Bmc



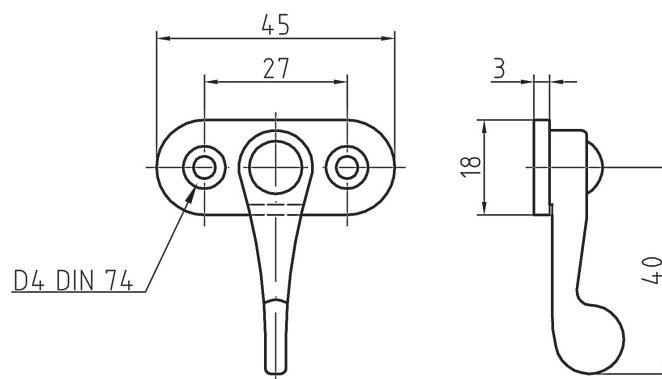
Art.code	Surface	Article description	Unit	Weight
250001.4	Bp	Ajar hook DIN 81319 for mortise locks	pc.	0,175
250001.6	Bpc	Ajar hook DIN 81319 for mortise locks	pc.	0,175
250001.9	Bmc	Ajar hook DIN 81319 for mortise locks	pc.	0,175
250021.4	Bp	Spring clip for ajar hook DIN 81319 no. 250001	pc.	0,025
250021.6	Bpc	Spring clip for ajar hook DIN 81319 no. 250001	pc.	0,025
250021.9	Bmc	Spring clip for ajar hook DIN 81319 no. 250001	pc.	0,025

TURNBUCKLES - TURNBUCKLES BRASS



• Material: Brass Ms 63

• Available surfaces: Bp, Bpc and Bmc

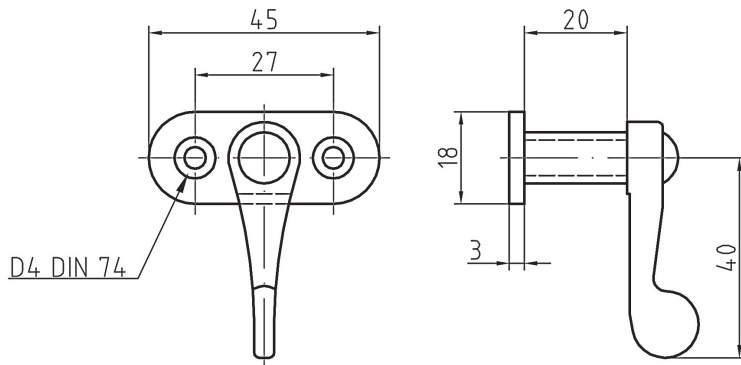


Art.code	Surface	Article description	Unit	Weight
561000.4	Bp	Turnbuckles on base plate	pc.	0,035
561000.6	Bpc	Turnbuckles on base plate	pc.	0,035
561000.9	Bmc	Turnbuckles on base plate	pc.	0,035

TURNBUCKLES - TURNBUCKLES WITH DISTANCE TUBE

• Material: Brass Ms 63

• Available surfaces: Bp, Bpc and Bmc

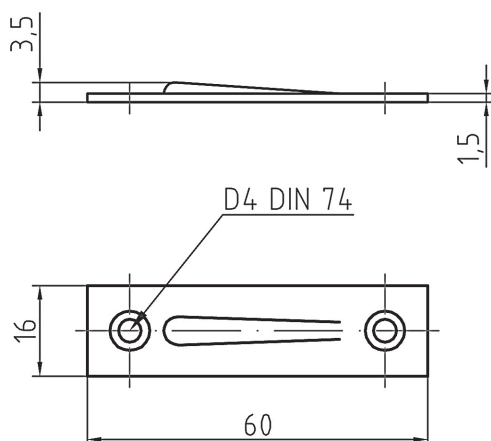


Art.code	Surface	Article description	Unit	Weight
561010.4	Bp	Turnbuckles on base plate, H=10 mm	pc.	0,040
561010.6	Bpc	Turnbuckles on base plate, H=10 mm	pc.	0,040
561010.9	Bmc	Turnbuckles on base plate, H=10 mm	pc.	0,040
561015.4	Bp	Turnbuckles on base plate, H=15 mm	pc.	0,045
561015.6	Bpc	Turnbuckles on base plate, H=15 mm	pc.	0,045
561015.9	Bmc	Turnbuckles on base plate, H=15 mm	pc.	0,045
561020.4	Bp	Turnbuckles on base plate, H=20 mm	pc.	0,050
561020.6	Bpc	Turnbuckles on base plate, H=20 mm	pc.	0,050
561020.9	Bmc	Turnbuckles on base plate, H=20 mm	pc.	0,050
561025.4	Bp	Turnbuckles on base plate, H=25 mm	pc.	0,055
561025.6	Bpc	Turnbuckles on base plate, H=25 mm	pc.	0,055
561025.9	Bmc	Turnbuckles on base plate, H=25 mm	pc.	0,055
561030.4	Bp	Turnbuckles on base plate, H=30 mm	pc.	0,060
561030.6	Bpc	Turnbuckles on base plate, H=30 mm	pc.	0,060
561030.9	Bmc	Turnbuckles on base plate, H=30 mm	pc.	0,060

TURNBUCKLES - COUNTERPLATE FOR TURNBUCKLES STAMPED

• Material: Brass Ms 58

• Available surfaces: Bp, Bpc, Bmc, Brp or Brpn



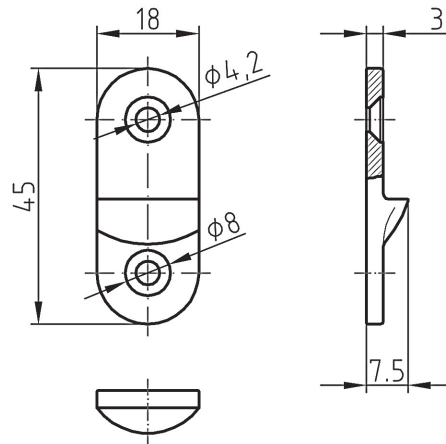
Art.code	Surface	Article description	Unit	Weight
565500.4	Bp	Counter plate for turnbuckles Group 56 stamped, 60x16x3 mm	pc.	0,010
565500.6	Bpc	Counter plate for turnbuckles Group 56 stamped, 60x16x3 mm	pc.	0,010
565500.9	Bmc	Counter plate for turnbuckles Group 56 stamped, 60x16x3 mm	pc.	0,010

TURNBUCKLES - COUNTERPLATE FOR TURNBUCKLES CASTED



- Material: Brass Ms 58
- With round edges

- Available surfaces: Bp, Bpc, Bmc, Brp or Brpn

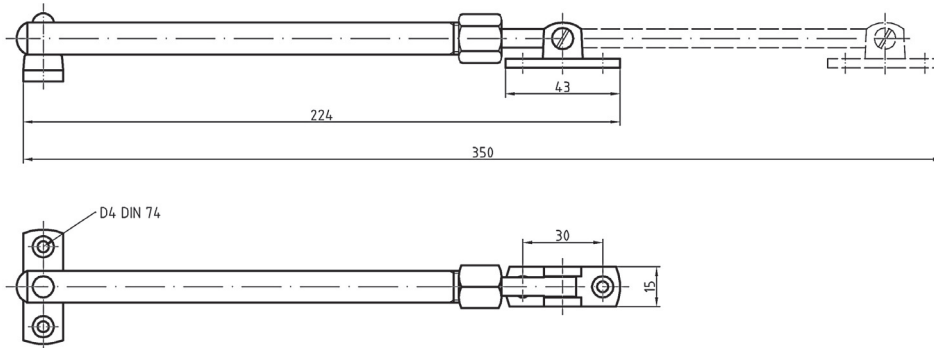


Art.code	Surface	Article description	Unit	Weight
565600.1	Brp	Counter plate for turnbuckles Group 56 forged	pc.	0,017
565600.3	Brpn	Counter plate for turnbuckles Group 56 forged	pc.	0,017
565600.4	Bp	Counter plate for turnbuckles Group 56 forged	pc.	0,017
565600.6	Bpc	Counter plate for turnbuckles Group 56 forged	pc.	0,017
565600.9	Bmc	Counter plate for turnbuckles Group 56 forged	pc.	0,017

HATCH FASTENERS - HATCH FASTENER 3232-3234

• Material: Brass Ms 58

Abb. 323200



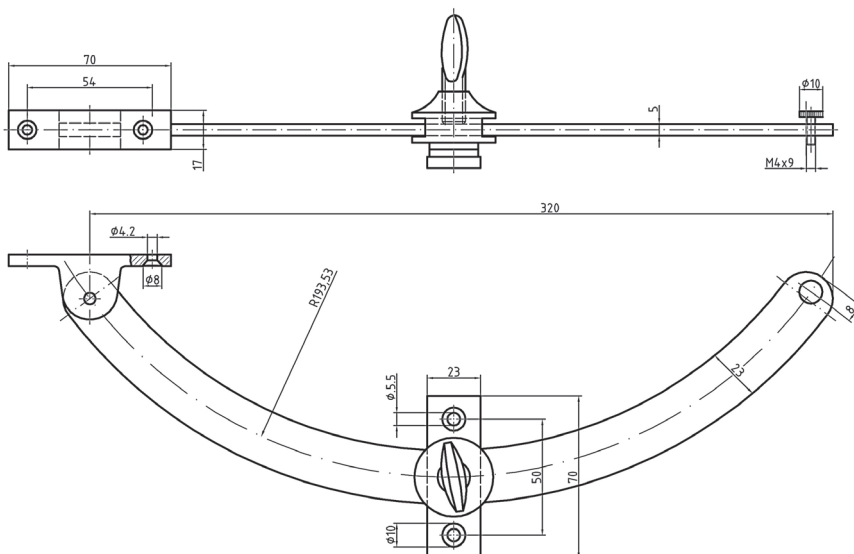
323200.4

Art.code	Surface	Article description	Unit	Weight
323200.4	Bp	Hatch fastener A=220 mm, B=350 mm, Nr. 530 A	pc.	0,230
323200.5	Bpn	Hatch fastener A=220 mm, B=350 mm, Nr. 530 A	pc.	0,230
323200.6	Bpc	Hatch fastener A=220 mm, B=350 mm, Nr. 530 A	pc.	0,230
323200.8	Bmn	Hatch fastener A=220 mm, B=350 mm, Nr. 530 A	pc.	0,230
323200.9	Bmc	Hatch fastener A=220 mm, B=350 mm, Nr. 530 A	pc.	0,230
323300.4	Bp	Hatch fastener A=280 mm, B=410 mm, Nr. 530 B	pc.	0,470
323300.5	Bpn	Hatch fastener A=280 mm, B=410 mm, Nr. 530 B	pc.	0,470
323300.6	Bpc	Hatch fastener A=280 mm, B=410 mm, Nr. 530 B	pc.	0,470
323300.8	Bmn	Hatch fastener A=280 mm, B=410 mm, Nr. 530 B	pc.	0,470
323300.9	Bmc	Hatch fastener A=280 mm, B=410 mm, Nr. 530 B	pc.	0,470
323400.4	Bp	Hatch fastener A=320 mm, B=450 mm, Nr. 530 C	pc.	0,930
323400.5	Bpn	Hatch fastener A=320 mm, B=450 mm, Nr. 530 C	pc.	0,930
323400.6	Bpc	Hatch fastener A=320 mm, B=450 mm, Nr. 530 C	pc.	0,930
323400.8	Bmn	Hatch fastener A=320 mm, B=450 mm, Nr. 530 C	pc.	0,930
323400.9	Bmc	Hatch fastener A=320 mm, B=450 mm, Nr. 530 C	pc.	0,930

WINDOW FASTENERS - WINDOW FASTENER CURVED VERSION

• Material: Brass Ms 63

• Available surfaces: Bp, Bpc and Bmc

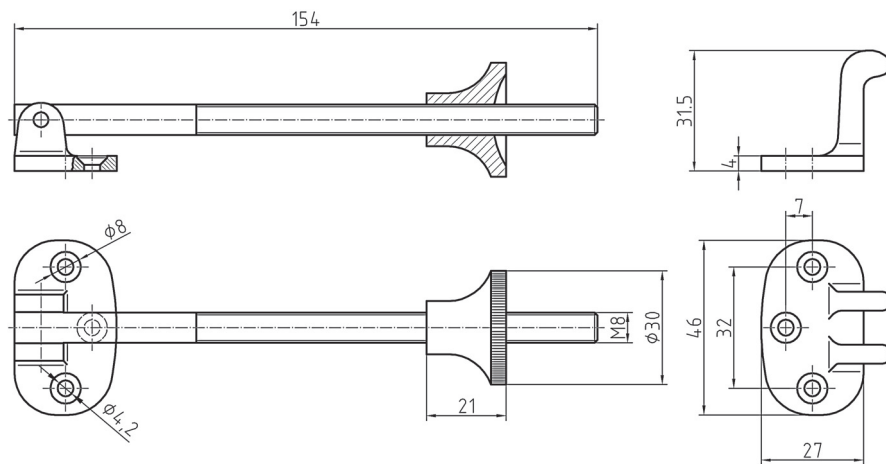


Art.code	Surface	Article description	Unit	Weight
320100.4	Bp	Window and hatch fastener set, curved	pc.	0,580
320100.6	Bpc	Window and hatch fastener set, curved	pc.	0,580
320100.9	Bmc	Window and hatch fastener set, curved	pc.	0,580

WINDOW FASTENERS - WINDOW FASTENER STRAIGHT VERSION WITH COUNTER PLATE

• Material: Brass Ms 58

• Complete with counter plate

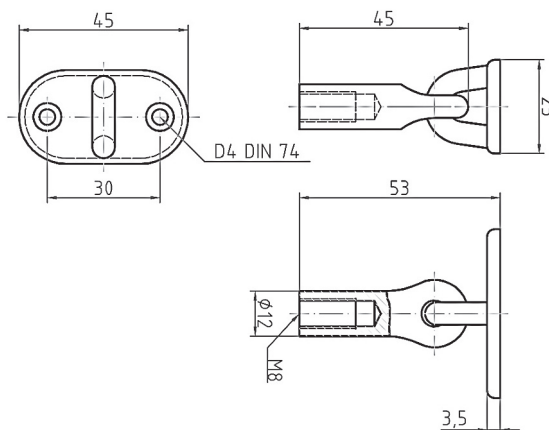


Art.code	Surface	Article description	Unit	Weight
325000.1	Brp	Window and hatch fastener set with counter plate	pc.	0,180
325000.3	Brpc	Window and hatch fastener set with counter plate	pc.	0,180
325000.4	Bp	Window and hatch fastener set with counter plate	pc.	0,180
325000.6	Bpc	Window and hatch fastener set with counter plate	pc.	0,180
325000.9	Bmc	Window and hatch fastener set with counter plate	pc.	0,180

WINDOW & SIDELIGHT HOLDERS - WINDOW AND SIDELIGHT HOLDER STAMPED

Stamped ground plate

• Material: Brass Ms 63

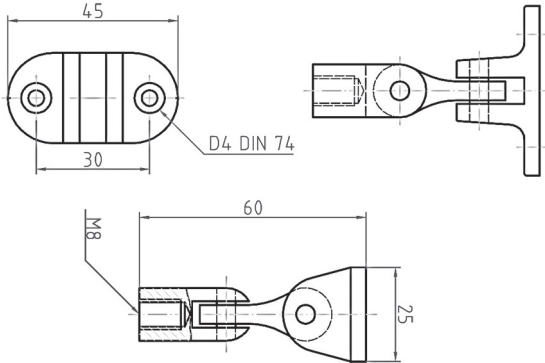


Art.code	Surface	Article description	Unit	Weight
330100.4	Bp	Window and sidelight holder, stamped groundplate, without T-piece	pc.	0,060
330100.6	Bpc	Window and sidelight holder, stamped groundplate, without T-piece	pc.	0,060
330100.9	Bmc	Window and sidelight holder, stamped groundplate, without T-piece	pc.	0,060

WINDOW & SIDELIGHT HOLDERS - WINDOW AND SIDELIGHT HOLDER CASTED

Casted groundplate

• Material: Brass Ms 63

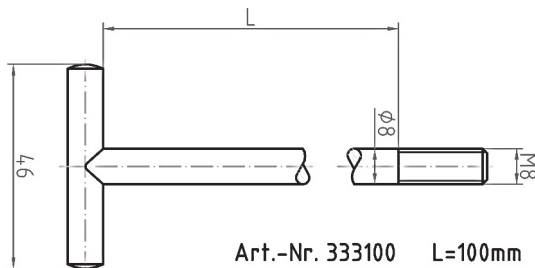


Art.code	Surface	Article description	Unit	Weight
330200.4	Bp	Window and sidelight holder, casted groundplate, without T-piece	pc.	0,085
330200.6	Bpc	Window and sidelight holder, casted groundplate, without T-piece	pc.	0,085
330200.9	Bmc	Window and sidelight holder, casted groundplate, without T-piece	pc.	0,085

WINDOW & SIDELIGHT HOLDERS - WINDOW AND SIDELIGHT T-PIECE

• Material: Brass Ms 63

• T-piece length on request



Art.-Nr. 333100 L=100mm
 Art.-Nr. 333150 L=150mm
 Art.-Nr. 333200 L=200mm



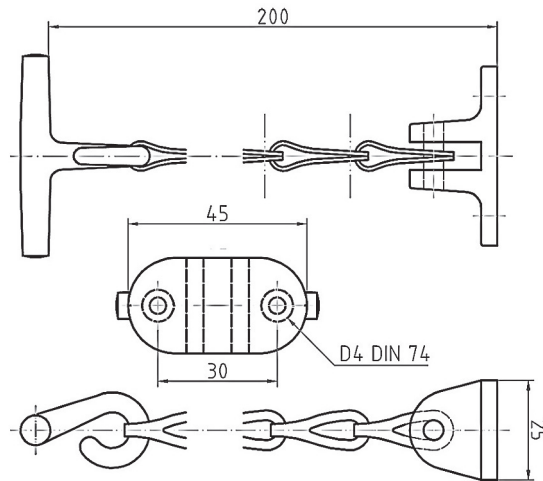
Art.code	Surface	Article description	Unit	Weight
333100.4	Bp	Window and sidelight holder, T-piece, L=100 mm	pc.	0,060
333100.6	Bpc	Window and sidelight holder, T-piece, L=100 mm	pc.	0,060
333100.9	Bmc	Window and sidelight holder, T-piece, L=100 mm	pc.	0,060
333150.4	Bp	Window and sidelight holder, T-piece, L=150 mm	pc.	0,070
333150.6	Bpc	Window and sidelight holder, T-piece, L=150 mm	pc.	0,070
333150.9	Bmc	Window and sidelight holder, T-piece, L=150 mm	pc.	0,070
333200.4	Bp	Window and sidelight holder, T-piece, L=200 mm	pc.	0,080
333200.6	Bpc	Window and sidelight holder, T-piece, L=200 mm	pc.	0,080
333200.9	Bmc	Window and sidelight holder, T-piece, L=200 mm	pc.	0,080

WINDOW & SIDELIGHT HOLDERS - LIGHT SHADE HOLDER DIN 81643 FORM C WITH CHAIN

Ground plate founded

- Material: Brass Ms 63
- Further chain lengths made on request

- Further surfaces: Brp or Brpc



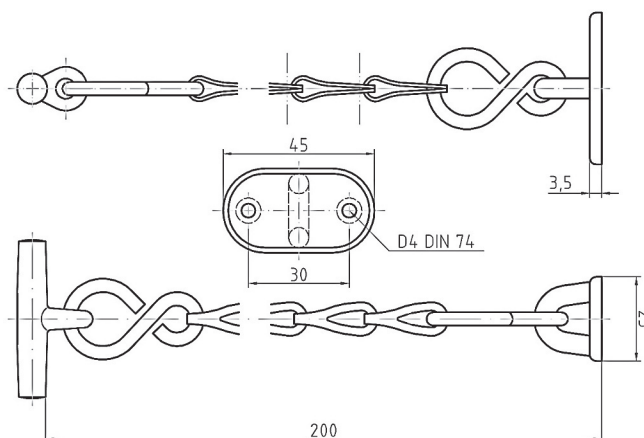
Art.code	Surface	Article description	Unit	Weight
332000.4	Bp	Light shade holder DIN 81643, Form C with chain, standard length L=200	pc.	0,100
332000.6	Bpc	Light shade holder DIN 81643, Form C with chain, standard length L=200	pc.	0,100
332000.9	Bmc	Light shade holder DIN 81643, Form C with chain, standard length L=200	pc.	0,100

WINDOW & SIDELIGHT HOLDERS - LIGHT SHADE HOLDER WITH S HOOKS

Ground plate stamped

- Material: Brass Ms 63
- Further chain lengths made on request

- Further surfaces: Brp or Brpc

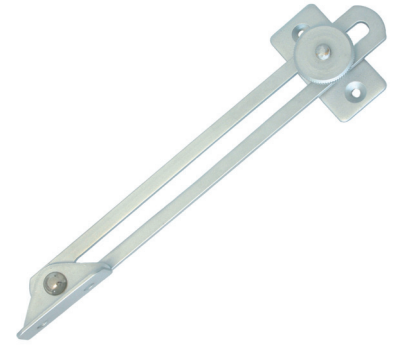
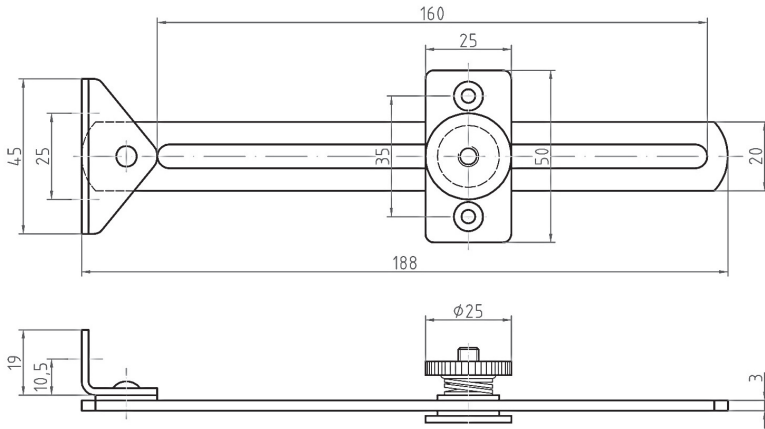


Art.code	Surface	Article description	Unit	Weight
332200.4	Bp	Light shade holder with two heavy S hooks, with chain, standard length L=200 mm	pc.	0,070
332200.6	Bpc	Light shade holder with two heavy S hooks, with chain, standard length L=200 mm	pc.	0,070
332200.9	Bmc	Light shade holder with two heavy S hooks, with chain, standard length L=200 mm	pc.	0,070

CABINET SHEAR - CABINET SHEAR 160 MM

• Material: Brass Ms 58

• Complete with fixing screw



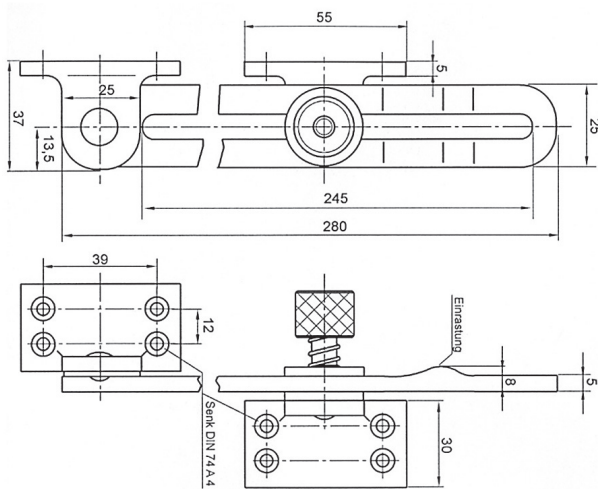
Art.code	Surface	Article description	Unit	Weight
520160.4	Bp	Cabinet shear, channel 160 mm	pc.	0,140
520160.6	Bpc	Cabinet shear, channel 160 mm	pc.	0,140
520160.9	Bmc	Cabinet shear, channel 160 mm	pc.	0,140

DOOR STAY STAINLESS STEEL - DOOR STAY 12.2065/2070

• Material: S/S A2

• On request in polished surface

• Completely assembled

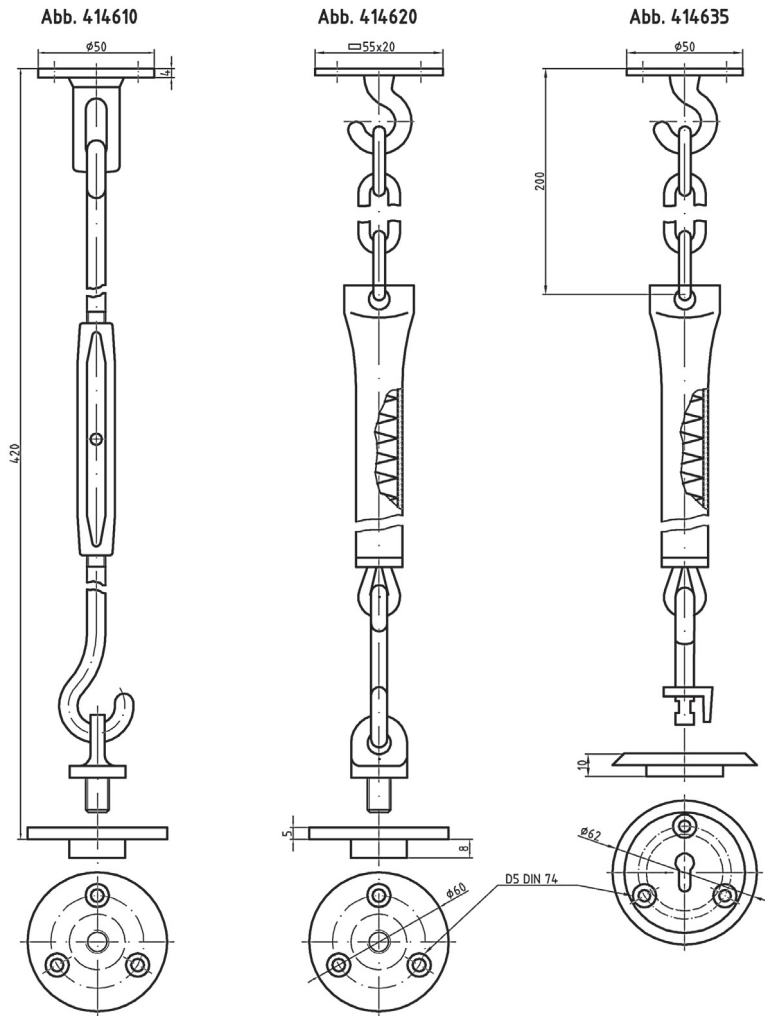


Art.code	Surface	Article description	Unit	Weight
12.2065.0	S/S brushed	Door stay with snap-in for inward doors	pc.	0,450
12.2066.0	S/S brushed	Door stay with snap-in for outward doors	pc.	0,450
12.2067.0	S/S brushed	Door stay without snap-in for inward doors	pc.	0,450
12.2068.0	S/S brushed	Door stay without snap-in for outward doors	pc.	0,450
12.2069.0	S/S brushed	Door stay with snap-in for inward doors, ceiling assembly, flat fixing plate	pc.	0,450
12.2070.0	S/S brushed	Door stay without snap-in for inward doors, ceiling assembly, flat fixing plate	pc.	0,450

DECK HARDWARE INTERIOR - CHAIR FASTENER SET

Please indicate the total length L

- Material: Brass Ms 58



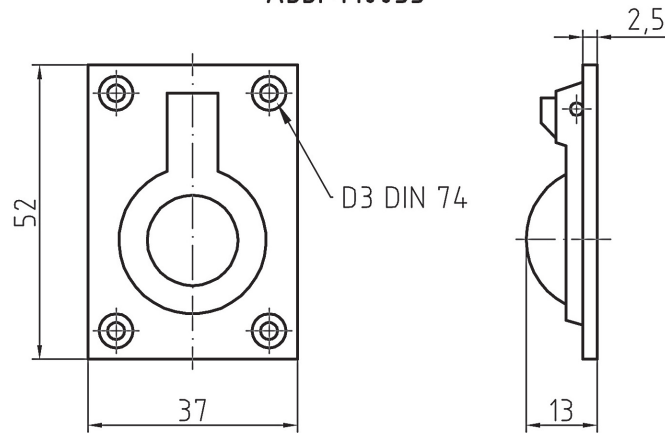
Art.code	Surface	Article description	Unit	Weight
414610.3	Brpc	Chair fastener set	pc.	0,470
414610.9	Bmc	Chair fastener set	pc.	0,470
414620.3	Brpc	Chair fastener set with spring, 7 chain links	pc.	0,590
414620.9	Bmc	Chair fastener set with spring, 7 chain links	pc.	0,590
414635.9	Bmc	Chair fastener set with chain and spring, 10 chain links	pc.	0,560

DECK HARDWARE INTERIOR - FLUSH PULL GRIPS

- Material: Brass Ms 63



Abb. 410035



Art.code	Surface	Article description	Unit	Weight
410035.4	Bp	Flush pull grip 52x37 mm	pc.	0,055
410035.6	Bpc	Flush pull grip 52x37 mm	pc.	0,055
410035.9	Bmc	Flush pull grip 52x37 mm	pc.	0,055
410040.4	Bp	Flush pull grip 63x50 mm	pc.	0,070
410040.6	Bpc	Flush pull grip 63x50 mm	pc.	0,070
410040.9	Bmc	Flush pull grip 63x50 mm	pc.	0,070
410050.4	Bp	Flush pull grip 70x50 mm	pc.	0,070
410050.6	Bpc	Flush pull grip 70x50 mm	pc.	0,070
410050.9	Bmc	Flush pull grip 70x50 mm	pc.	0,070
410020.4	Bp	Flush pull grip 80x50 mm	pc.	0,055
410020.6	Bpc	Flush pull grip 80x50 mm	pc.	0,055
410020.9	Bmc	Flush pull grip 80x50 mm	pc.	0,055

DECK HARDWARE INTERIOR - CORD SPOOLER

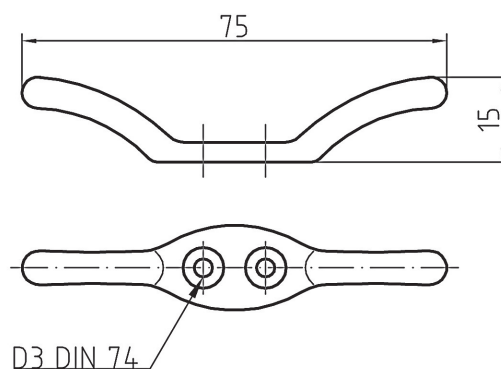
Nickle plated on request



- Material: Brass Ms 63

- Available in brass or nickle surface

Abb. 434075



Art.code	Surface	Article description	Unit	Weight
434130.1	Brpn	Cord spooler L=130 mm	pc.	0,051
434110.1	Brpn	Cord spooler L=110 mm	pc.	0,043
434100.1	Brpn	Cord spooler L=100 mm	pc.	0,040
434090.1	Brpn	Cord spooler L=90 mm	pc.	0,038
434080.1	Brpn	Cord spooler L=80 mm	pc.	0,036
434075.1	Brpn	Cord spooler L=75 mm	pc.	0,017

Art.code	Surface	Article description	Unit	Weight
434060.1	Brpn	Cord spooler L=60 mm	pc.	0,011
434050.1	Brpn	Cord spooler L=50 mm	pc.	0,009
434040.1	Brpn	Cord spooler L=40 mm	pc.	0,010

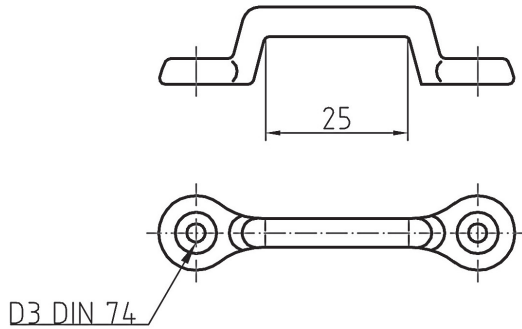
DECK HARDWARE INTERIOR - STRAP CLAMP

• Material: Brass Ms 63

• Available in brass or nickle surface



Abb. 435025

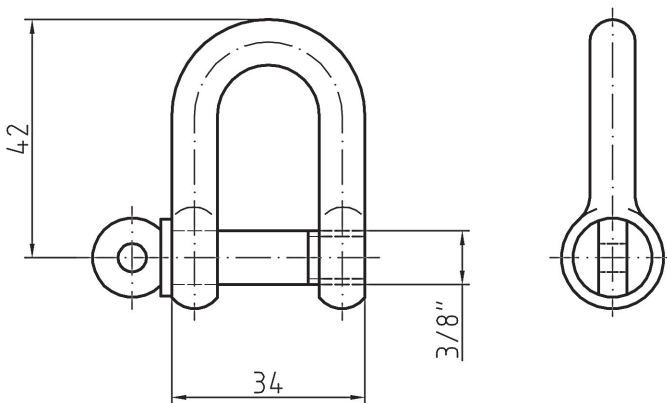


Art.code	Surface	Article description	Unit	Weight
435045.1	Brp	Strap clamp A=45 mm	pc.	0,023
435040.1	Brp	Strap clamp A=40 mm	pc.	0,020
435035.1	Brp	Strap clamp A=35 mm	pc.	0,018
435030.1	Brp	Strap clamp A=30 mm	pc.	0,016
435025.1	Brp	Strap clamp A=25 mm	pc.	0,014
435020.1	Brp	Strap clamp A=20 mm	pc.	0,012
435010.1	Brp	Strap clamp A=10 mm	pc.	0,004

DECK HARDWARE INTERIOR - SHACKLES STRAIGHT VERSION

• Material: Brass Ms 63

Abb. 460280.0



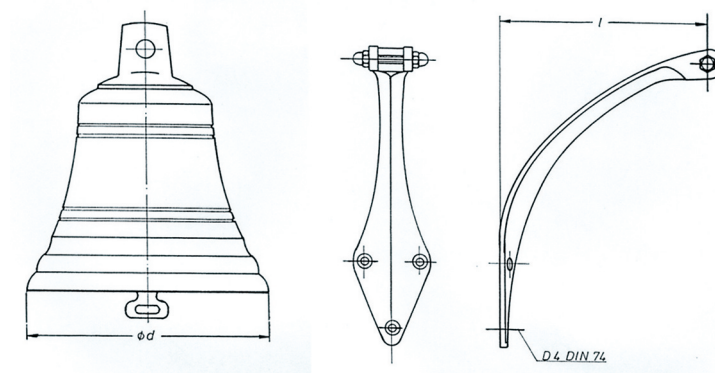
Art.code	Surface	Article description	Unit	Weight
460230.1	Brp	Shackle straight version 1/8", 3 mm bolt	pc.	0,060
460240.1	Brp	Shackle straight version 5/32", 4 mm bolt	pc.	0,080
460250.1	Brp	Shackle straight version 3/16", 5 mm bolt	pc.	0,130
460260.1	Brp	Shackle straight version 1/4", 6 mm bolt	pc.	0,180
460270.1	Brp	Shackle straight version 5/16", 8 mm bolt	pc.	0,230
460280.1	Brp	Shackle straight version 3/8", 10 mm bolt	pc.	0,330

DECK HARDWARE INTERIOR - SHIP BELLS



• Material: Brass Ms 63

• Further sizes on demand



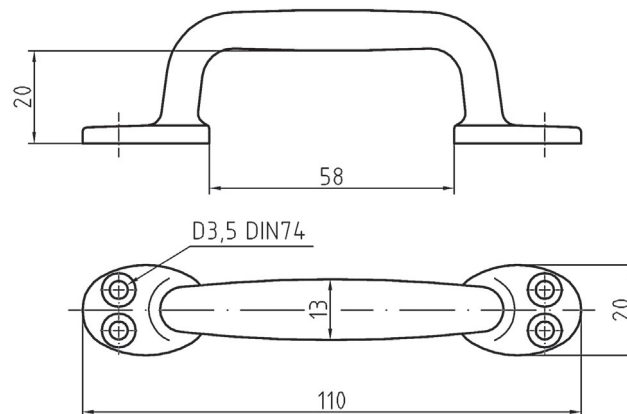
Art.code	Surface	Article description	Unit	Weight
420120.4	Bp	Ship bell 120 mm	pc.	1,000
420170.4	Bp	Ship bell 170 mm	pc.	2,410
420200.4	Bp	Ship bell 200 mm	pc.	4,050
421080.4	Bp	Ship bell bracket overhang 80 mm	pc.	0,140
421120.4	Bp	Ship bell bracket overhang 120 mm	pc.	0,300
421170.4	Bp	Ship bell bracket 170 mm	pc.	0,600

DOOR HARDWARE - HAND GRIP BRASS



• Material: Brass Ms 63

• Available surfaces: Bp, Bpc or Bmc



Art.code	Surface	Article description	Unit	Weight
512110.4	Bp	Hand Grip 110 mm, D=13 mm with extra long fixing plate	pc.	0,075
512110.6	Bpc	Hand Grip 110 mm, D=13 mm with extra long fixing plate	pc.	0,075
512110.9	Bmc	Hand Grip 110 mm, D=13 mm with extra long fixing plate	pc.	0,075
512140.4	Bp	Hand Grip 140 mm, D=18 mm with extra long fixing plate	pc.	0,160
512140.6	Bpc	Hand Grip 140 mm, D=18 mm with extra long fixing plate	pc.	0,160
512140.9	Bmc	Hand Grip 140 mm, D=18 mm with extra long fixing plate	pc.	0,160

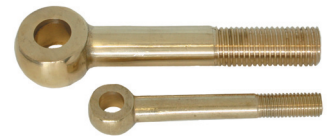
DIN 444 BRASS - EYE BOLTS DIN 444 BRASS

Eye bolts DIN 444 standard, metric thread,

BM = Thread length according to DIN standard,

LBM = Thread until bolt head

- Material: Brass Ms 63
- Other sizes and dimensions on request
- Max. length 400 mm
- Max. size M 30
- Surface: rolled polished
- BM = A1... / LBM = A2...



Art.code	Surface	Article description	Unit	Weight
A1-06040	Brp	Eye bolt DIN 444 BM 6x40 mm	pc.	0,012
A1-06050	Brp	Eye bolt DIN 444 BM 6x50 mm	pc.	0,012
A1-08060	Brp	Eye bolt DIN 444 BM 8x60 mm	pc.	0,033
A1-08070	Brp	Eye bolt DIN 444 BM 8x70 mm	pc.	0,037
A1-08080	Brp	Eye bolt DIN 444 BM 8x80 mm	pc.	0,041
A1-08090	Brp	Eye bolt DIN 444 BM 8x90 mm	pc.	0,043
A1-08100	Brp	Eye bolt DIN 444 BM 8x100 mm	pc.	0,052
A1-10060	Brp	Eye bolt DIN 444 BM 10x60 mm	pc.	0,048
A1-10070	Brp	Eye bolt DIN 444 BM 10x70 mm	pc.	0,056
A1-10080	Brp	Eye bolt DIN 444 BM 10x80 mm	pc.	0,063
A1-10100	Brp	Eye bolt DIN 444 BM 10x100 mm	pc.	0,076
A1-10120	Brp	Eye bolt DIN 444 BM 10x120 mm	pc.	0,090
A1-12060	Brp	Eye bolt DIN 444 BM 12x60 mm	pc.	0,075
A1-12080	Brp	Eye bolt DIN 444 BM 12x80 mm	pc.	0,095
A1-12090	Brp	Eye bolt DIN 444 BM 12x90 mm	pc.	0,100
A1-12100	Brp	Eye bolt DIN 444 BM 12x100 mm	pc.	0,110
A1-12110	Brp	Eye bolt DIN 444 BM 12x110 mm	pc.	0,140
A1-12120	Brp	Eye bolt DIN 444 BM 12x120 mm	pc.	0,145
A1-16070	Brp	Eye bolt DIN 444 BM 16x70 mm	pc.	0,155
A1-16080	Brp	Eye bolt DIN 444 BM 16x80 mm	pc.	0,175
A1-16100	Brp	Eye bolt DIN 444 BM 16x100 mm	pc.	0,210
A1-16110	Brp	Eye bolt DIN 444 BM 16x110 mm	pc.	0,230
A1-16120	Brp	Eye bolt DIN 444 BM 16x120 mm	pc.	0,240
A1-16130	Brp	Eye bolt DIN 444 BM 16x130 mm	pc.	0,260
A1-16140	Brp	Eye bolt DIN 444 BM 16x140 mm	pc.	0,280
A1-16160	Brp	Eye bolt DIN 444 BM 16x160 mm	pc.	0,300
A1-20110	Brp	Eye bolt DIN 444 BM 20x110 mm	pc.	0,380
A1-20120	Brp	Eye bolt DIN 444 BM 20x120 mm	pc.	0,410
A1-20130	Brp	Eye bolt DIN 444 BM 20x130 mm	pc.	0,430
A1-20140	Brp	Eye bolt DIN 444 BM 20x140 mm	pc.	0,440
A1-20150	Brp	Eye bolt DIN 444 BM 20x150 mm	pc.	0,485
A1-20160	Brp	Eye bolt DIN 444 BM 20x160 mm	pc.	0,510
A1-20180	Brp	Eye bolt DIN 444 BM 20x180 mm	pc.	0,560
A1-20200	Brp	Eye bolt DIN 444 BM 20x200 mm	pc.	0,590
A1-22140	Brp	Eye bolt DIN 444 BM 22x140 mm	pc.	0,570
A1-22160	Brp	Eye bolt DIN 444 BM 22x160 mm	pc.	0,590
A1-24130	Brp	Eye bolt DIN 444 BM 24x130 mm	pc.	0,580

DIN 444 STAINLESS STEEL - EYE BOLTS DIN 444 STAINLESS STEEL

Eye bolts DIN 444 standard, metric thread,
 BM = Thread length according to DIN standard,
 LBM = Thread until bolt head

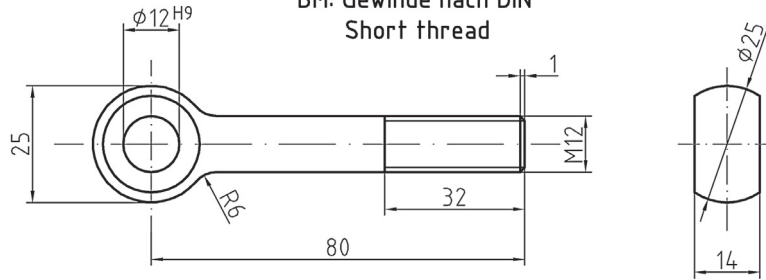
• Material: Stainless steel A4

• Other sizes and dimensions on request



Abb. A1-12080

BM: Gewinde nach DIN
 Short thread



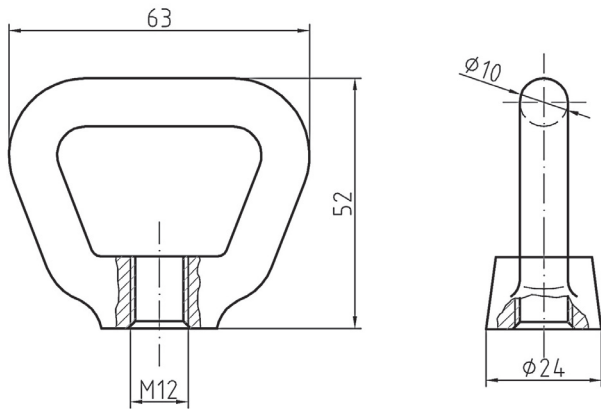
Art.code	Surface	Article description	Unit	Weight
N-A1-10060	S/S raw	Eye bolt DIN 444 BM 10x60 mm	pc.	0,045
N-A1-10100	S/S raw	Eye bolt DIN 444 BM 10x100 mm	pc.	0,070
N-A2-12080	S/S raw	Eye bolt DIN 444 LBM 12x80 mm	pc.	0,085
N-A1-12100	S/S raw	Eye bolt DIN 444 BM 12x100 mm	pc.	0,100
N-A1-16070	S/S raw	Eye bolt DIN 444 BM 16x70 mm	pc.	0,140
N-A1-16100	S/S raw	Eye bolt DIN 444 BM 16x100 mm	pc.	0,190
N-A1-16110	S/S raw	Eye bolt DIN 444 BM 16x110 mm	pc.	0,200
N-A2-16110	S/S raw	Eye bolt DIN 444 LBM 16x110 mm	pc.	0,190
N-A1-16150	S/S raw	Eye bolt DIN 444 BM 16x150 mm	pc.	0,265
N-A1-16160	S/S raw	Eye bolt DIN 444 BM 16x160 mm	pc.	0,275
N-A1-20130	S/S raw	Eye bolt DIN 444 BM 20x130 mm	pc.	0,400
N-A2-20130	S/S raw	Eye bolt DIN 444 LBM 20x130 mm	pc.	0,390

DIN 80704 BRASS - LIFTING NUTS DIN 80704 BRASS

• Material: Brass Ms 63

• Surface: roll polished

Abb. KO-112.1

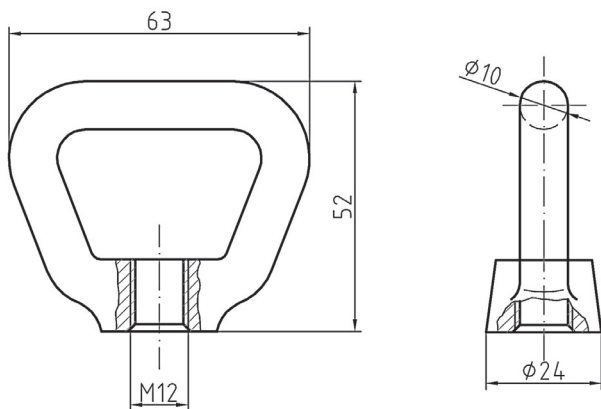


Art.code	Surface	Article description	Unit	Weight
KO-106.1	Brp	Lifting nut DIN 80704, M 6	pc.	0,032
KO-108.1	Brp	Lifting nut DIN 80704, M 8	pc.	0,062
KO-110.1	Brp	Lifting nut DIN 80704, M 10	pc.	0,056
KO-112.1	Brp	Lifting nut DIN 80704, M 12	pc.	0,125
KO-114.1	Brp	Lifting nut DIN 80704, M 14	pc.	0,115
KO-116.1	Brp	Lifting nut DIN 80704, M 16	pc.	0,210
KO-120.1	Brp	Lifting nut DIN 80704, M 20	pc.	0,290
KO-122.1	Brp	Lifting nut DIN 80704, M 22	pc.	0,280
KO-124.1	Brp	Lifting nut DIN 80704, M 24	pc.	0,490

DIN 80704 STAINLESS STEEL - LIFTING NUTS DIN 80704 STAINLESS STEEL

• Material: Stainless steel A4

Abb. KO-112.1



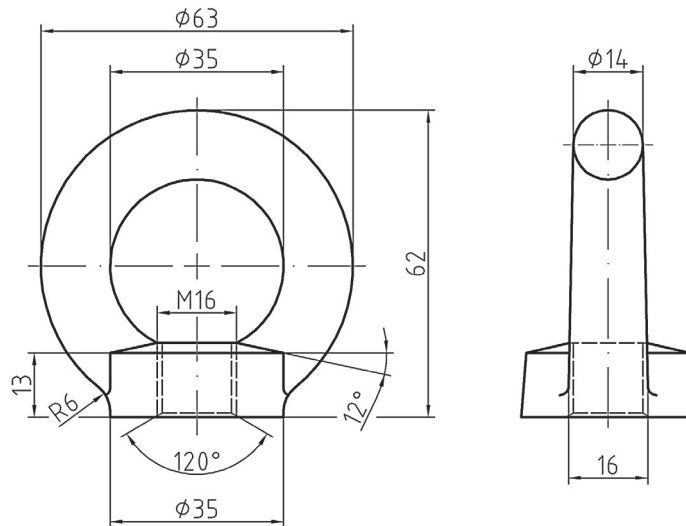
Art.code	Surface	Article description	Unit	Weight
N-KO-108.0	S/S raw	Lifting nut DIN 80704, M 8	pc.	0,055
N-KO-110.0	S/S raw	Lifting nut DIN 80704, M 10	pc.	0,050
N-KO-112.0	S/S raw	Lifting nut DIN 80704, M 12	pc.	0,110
N-KO-116.0	S/S raw	Lifting nut DIN 80704, M 16	pc.	0,185
N-KO-120.0	S/S raw	Lifting nut DIN 80704, M 20	pc.	0,245

DIN 582 BRASS - RING NUTS DIN 582 BRASS



• Size M6, M8 and M10 on request - Minimum order quantity 100 pcs, per item

• As well in chrome plated on request



Art.code	Surface	Article description	Unit	Weight
R2-M12.1	Brp	Ring nut DIN 582, M 12	pc.	0,135
R2-M16.1	Brp	Ring nut DIN 582, M 16	pc.	0,230
R2-M20.1	Brp	Ring nut DIN 582, M 20	pc.	0,380
R2-M12.3	Brpc	Ring nut DIN 582, M 12	pc.	0,135
R2-M16.3	Brpc	Ring nut DIN 582, M 16	pc.	0,230
R2-M20.3	Brpc	Ring nut DIN 582, M 20	pc.	0,380

DIN 83407 FORM A WITH LIFTING NUT - LIFTING NUT SET DIN 83407 A

- Material: Eye bolt and lifting nut in brass, counter plates in steel, bolt stainless steel
- On request in stainless steel
- Other dimensions on demand

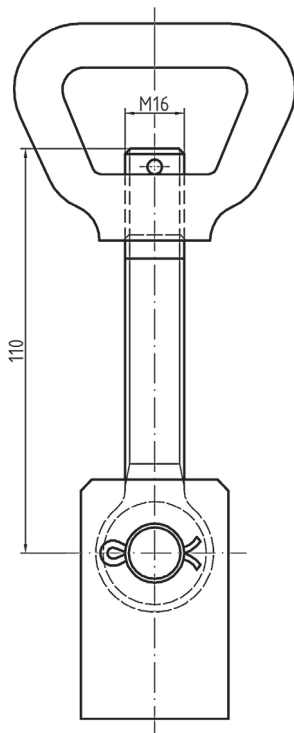
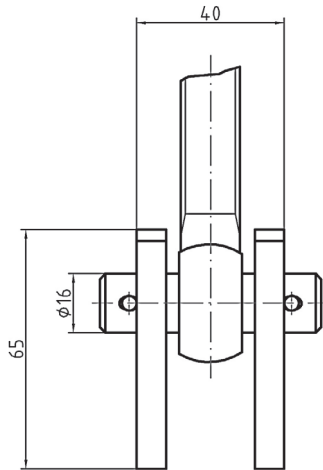
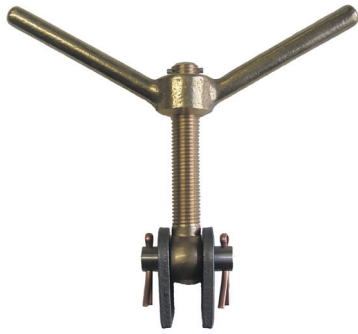


Abb. KOV-16110



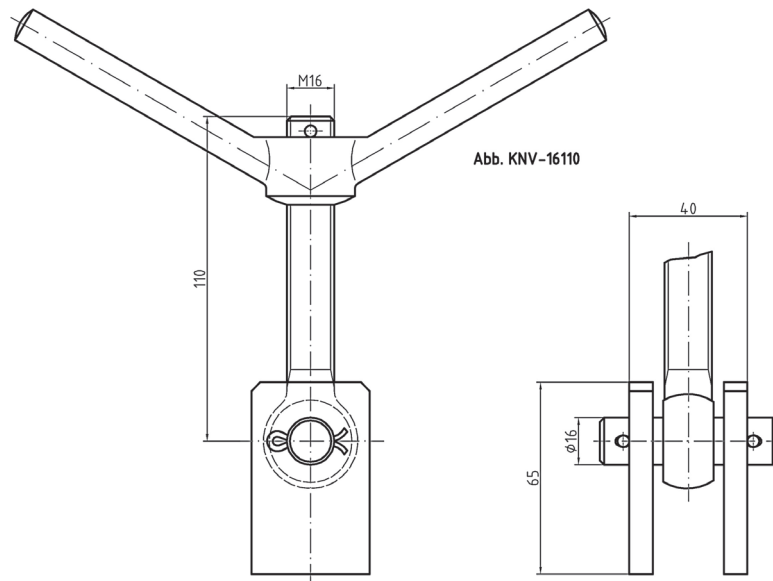
Art.code	Surface	Article description	Unit	Weight
KOV-12080	Brp	Lifting nut set DIN 83407, M 12, Form A, 12x80 mm	set	0,220
KOV-16070	Brp	Lifting nut set DIN 83407, M 16, Form A, 16x70 mm	set	0,330
KOV-16110	Brp	Lifting nut set DIN 83407, M 16, Form A, 16x110 mm	set	0,440
KOV-20130	Brp	Lifting nut set DIN 83407, M 20, Form A, 20x130 mm	set	1,140
N-KOV-12080	S/S raw	Lifting nut set DIN 83407, M 12, Form A, 12x80 mm	set	0,190
N-KOV-16070	S/S raw	Lifting nut set DIN 83407, M 16, Form A, 16x70 mm	set	0,340
N-KOV-16110	S/S raw	Lifting nut set DIN 83407, M 16, Form A, 16x110 mm	set	0,350
N-KOV-20130	S/S raw	Lifting nut set DIN 83407, M 20, Form A, 20x130 mm	set	0,710

DIN 83407 FORM B WITH WING NUT - WING NUT SET DIN 83407 B



- Material: Eye bolt and wing nut in brass, counter plates in steel, bolt stainless steel, copper splints

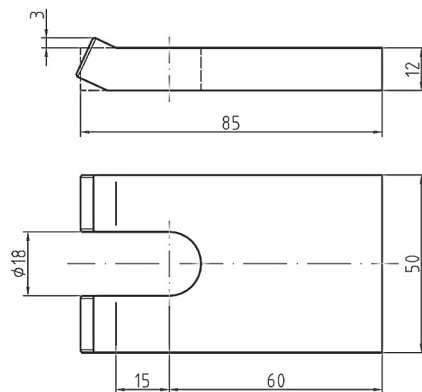
- On request in stainless steel
- Other dimensions on demand



Art.code	Surface	Article description	Unit	Weight
KNV-12080	Brp	Wing nut set DIN 83407, M 12, Form B, 12x80 mm	set	0,290
KNV-16070	Brp	Wing nut set DIN 83407, M 16, Form B, 16x70 mm	set	0,300
KNV-16110	Brp	Wing nut set DIN 83407, M 16, Form B, 16x110 mm	set	0,440
KNV-20130	Brp	Wing nut set DIN 83407, M 20, Form B, 20x130 mm	set	0,710
N-KNV-16070	S/S raw	Wing nut set DIN 83407, M 16, Form B, 16x70 mm	set	0,300
N-KNV-16110	S/S raw	Wing nut set DIN 83407, M 16, Form B, 16x110 mm	set	0,440
N-KNV-20130	S/S raw	Wing nut set DIN 83407, M 20, Form B, 20x130 mm	set	0,970

DIN 83407 PRESS FORKS FORM C - PRESS FORKS DIN 83407 FORM C

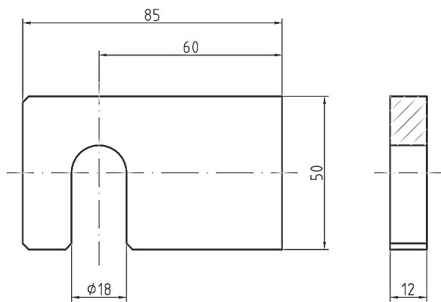
- Material: Steel EN 10025



Art.code	Surface	Article description	Unit	Weight
DGL-M12.0	St	Press fork lengthwise forking, M12, Form C, 70x40x10 mm	pc.	0,200
DGL-M16.0	St	Press fork lengthwise forking, M16, Form C, 85x50x12 mm	pc.	0,300
DGL-M20.0	St	Press fork lengthwise forking, M20, Form C, 110x60x15 mm	pc.	0,600

DIN 83407 PRESS FORKS FORM D - PRESS FORKS DIN 83407 FORM D

- Material: Steel EN 10025

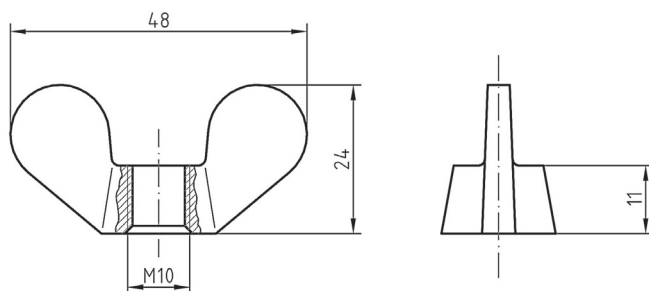


Art.code	Surface	Article description	Unit	Weight
DGQ-M12.0	St	Press fork crosswise forking, M12, Form D, 70x40x10 mm	pc.	0,200
DGQ-M16.0	St	Press fork crosswise forking, M16, Form D, 85x50x12 mm	pc.	0,300
DGQ-M20.0	St	Press fork crosswise forking, M20, Form D, 110x60x15 mm	pc.	0,600

DIN 315 BRASS - WING NUTS DIN 315 BRASS

- Material: Brass Ms 63
- Surface: roll polished
- Also available nickel or chrome plated

Abb. F1-M10.1



Art.code	Surface	Article description	Unit	Weight
F1-M04.1	Brp	Wing nut DIN 315, M 4	pc.	0,005
F1-M05.1	Brp	Wing nut DIN 315, M 5	pc.	0,005
F1-M06.1	Brp	Wing nut DIN 315, M 6	pc.	0,008
F1-M08.1	Brp	Wing nut DIN 315, M 8	pc.	0,015
F1-M10.1	Brp	Wing nut DIN 315, M 10	pc.	0,025
F1-M12.1	Brp	Wing nut DIN 315, M 12	pc.	0,042
F1-M16.1	Brp	Wing nut DIN 315, M 16	pc.	0,092
F1-M20.1	Brp	Wing nut DIN 315, M 20	pc.	0,210
F1-M22.1	Brp	Wing nut DIN 315, M 22	pc.	0,190

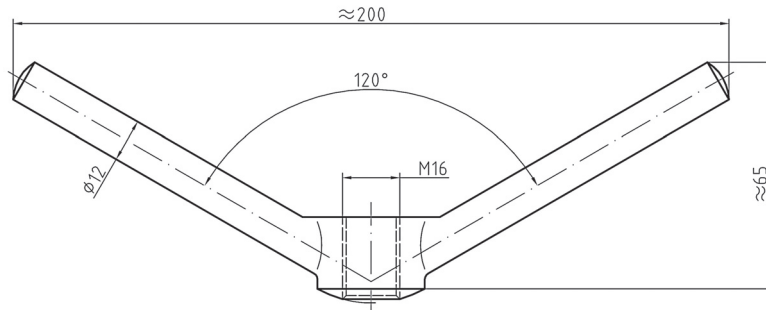
DIN 80701 BRASS - BUTTERFLY NUTS DIN 80701 BRASS



- Material: Brass Ms 63

- Surface: roll polished

Abb. KN-216.1



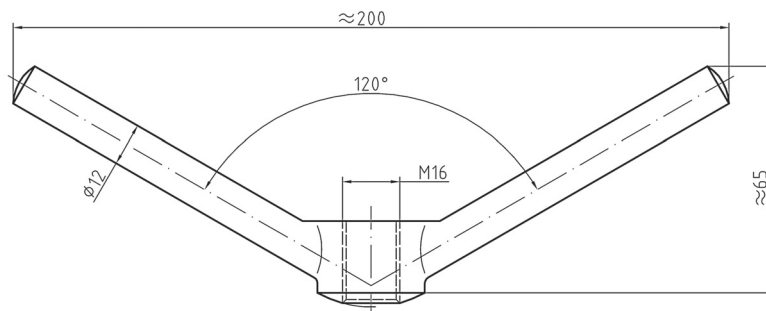
Art.code	Surface	Article description	Unit	Weight
KN-216.1	Brp	Butterfly nut DIN 80701, M 16, double ended	pc.	0,300
KN-220.1	Brp	Butterfly nut DIN 80701, M 20, double ended	pc.	0,600
KN-224.1	Brp	Butterfly nut DIN 80701, M 24, double ended	pc.	1,090

DIN 80701 STAINLESS STEEL - BUTTERFLY NUTS DIN 80701 STAINLESS STEEL



- Material: Stainless steel A4

Abb. KN-216.1



Art.code	Surface	Article description	Unit	Weight
N-KN-216.0	S/S raw	Butterfly nut DIN 80701, M 16 double ended, A4	pc.	0,300
N-KN-220.0	S/S raw	Butterfly nut DIN 80701, M 20, double ended, A4	pc.	0,600

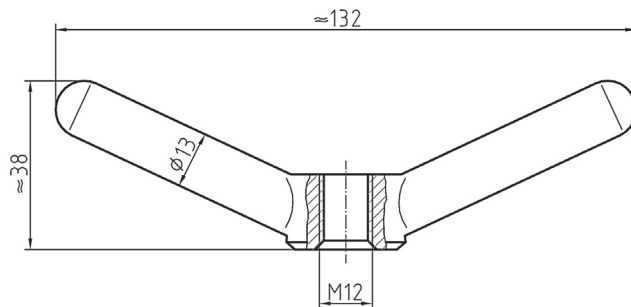
DIN 80701 STAINLESS STEEL - BUTTERFLY NUTS SHORT VERSION

• Material: Brass Ms 63

• Surface: roll polished



Abb. KN-120.1



Art.code	Surface	Article description	Unit	Weight
KN-108.1	Brp	Butterfly nut, M 8, double ended	pc.	0,100
KN-110.1	Brp	Butterfly nut, M 10, double ended	pc.	0,125
KN-112.1	Brp	Butterfly nut, M 12, double ended	pc.	0,190
KN-116.1	Brp	Butterfly nut, M 16, double ended	pc.	0,230
KN-120.1	Brp	Butterfly nut, M 20, double ended	pc.	0,300
KN-122.1	Brp	Butterfly nut, M 22, double ended	pc.	0,430
KN-124.1	Brp	Butterfly nut, M 24, double ended	pc.	0,420

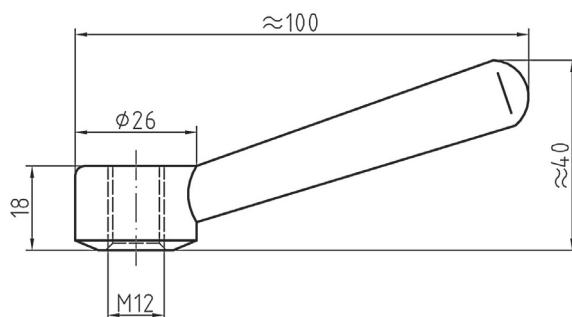
DIN 80701 STAINLESS STEEL - BUTTERFLY NUTS ONE-SIDED

• Material: Brass Ms 63

• Surface: roll polished



Abb. KN-612.1



Art.code	Surface	Article description	Unit	Weight
KN-612.1	Brp	Butterfly nut, M 12, one-sided	pc.	0,160
KN-616.1	Brp	Butterfly nut, M 16, one-sided	pc.	0,225
KN-620.1	Brp	Butterfly nut, M 20, one-sided	pc.	0,390

HINGES DIN 81401 A - HINGES BRASS DIN 81401 A

• Material: Brass Ms 58

• Available surfaces: Bp, Bpc and Bmc

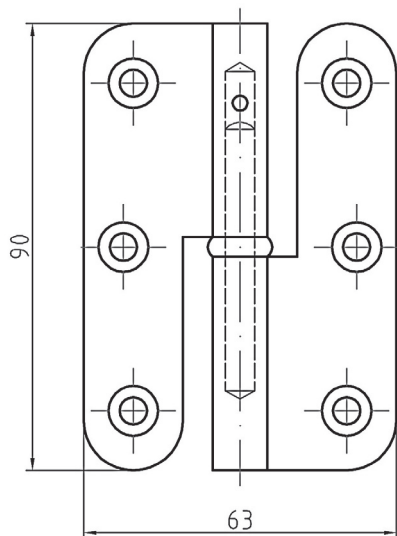
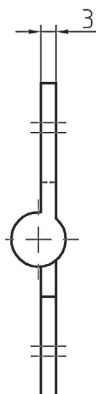


Abb.230052



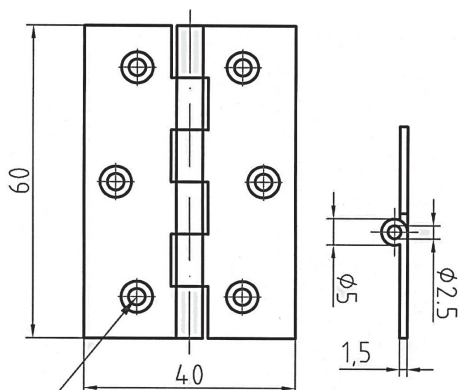
Art.code	Surface	Article description	Unit	Weight
230011.4	Bp	Door hinge 120x96 mm, right	pc.	0,390
230012.4	Bp	Door hinge 120x96 mm, left	pc.	0,390
230021.4	Bp	Door hinge 110x96 mm, right	pc.	0,280
230022.4	Bp	Door hinge 110x96 mm, left	pc.	0,280
230031.4	Bp	Door hinge 110x86 mm, right	pc.	0,270
230032.4	Bp	Door hinge 110x86 mm, left	pc.	0,270
230041.4	Bp	Door hinge 100x86 mm, right	pc.	0,250
230042.4	Bp	Door hinge 100x86 mm, left	pc.	0,250
230051.4	Bp	Door hinge 90x63 mm, right	pc.	0,160
230052.4	Bp	Door hinge 90x63 mm, left	pc.	0,160

HINGES DIN 81402 E - HINGES BRASS DIN 81402 E

• Material: Brass Ms 58

• Available surfaces: Bp, Bpc and Bmc

Abb. 231430

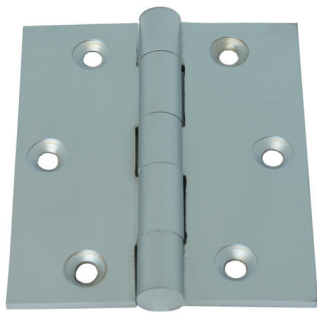


D3 DIN 74



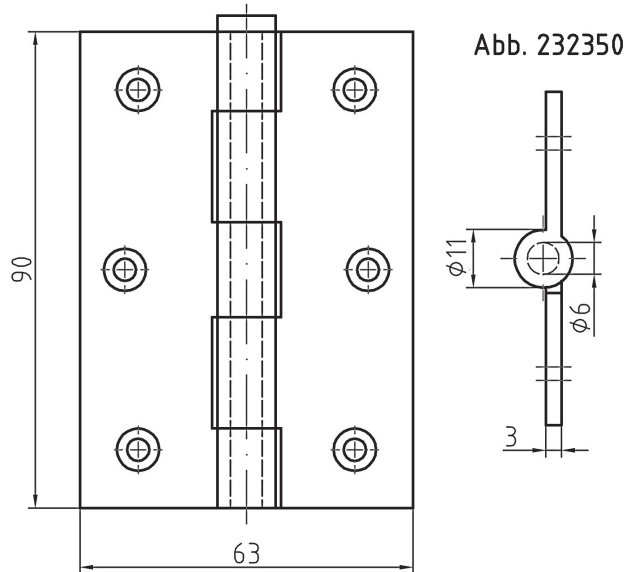
Art.code	Surface	Article description	Unit	Weight
231410.4	Bp	Door hinge DIN 81402 E, 70x60x2,5 mm, D=7 mm, fixed pin	pc.	0,100
231420.4	Bp	Door hinge DIN 81402 E, 60x50x2,5 mm, D=7 mm, fixed pin	pc.	0,110
231430.4	Bp	Door hinge DIN 81402 E, 60x40x1,5 mm, D=5 mm, fixed pin	pc.	0,034
231450.4	Bp	Door hinge DIN 81402 E, 50x40x1,5 mm, D=5 mm, fixed pin	pc.	0,030
231460.4	Bp	Door hinge DIN 81402 E, 45x40x1,5 mm, D=5 mm, fixed pin	pc.	0,025
231470.4	Bp	Door hinge DIN 81402 E, 40x30x1,5 mm, D=5 mm, fixed pin	pc.	0,020

HINGES DIN 81401 B - HINGES BRASS DIN 81402 B



• Material: Brass Ms 58

• Available surfaces: Bp, Bpc and Bmc

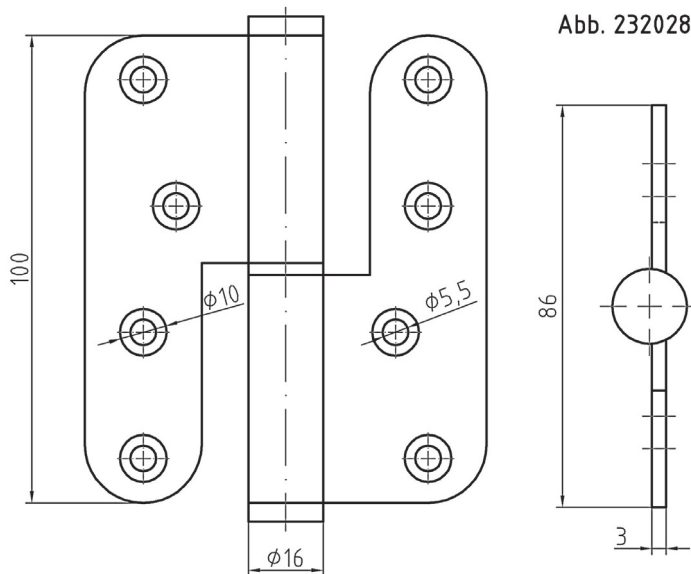


Art.code	Surface	Article description	Unit	Weight
232210.4	Bp	Door hinge DIN 81401 B, 120x96x4 mm, fixed pin	pc.	0,430
232230.4	Bp	Door hinge DIN 81401 B, 110x86x3,5 mm, fixed pin	pc.	0,300
232240.4	Bp	Door hinge DIN 81401 B, 100x86x3,5 mm, fixed pin	pc.	0,300
232250.4	Bp	Door hinge DIN 81401 B, 90x63x3 mm, fixed pin	pc.	0,160
232310.4	Bp	Door hinge DIN 81401 B, 120x96x4 mm, loose pin	pc.	0,430
232330.4	Bp	Door hinge DIN 81401 B, 110x86x3,5 mm, loose pin	pc.	0,300
232340.4	Bp	Door hinge DIN 81401 B, 100x86x3,5 mm, loose pin	pc.	0,300
232350.4	Bp	Door hinge DIN 81401 B, 90x63x3 mm, loose pin	pc.	0,160

HINGES 2017/2027 - HINGES STAINLESS STEEL NR. 2017/2027

Material: Stainless steel A4

- Polished surface on request

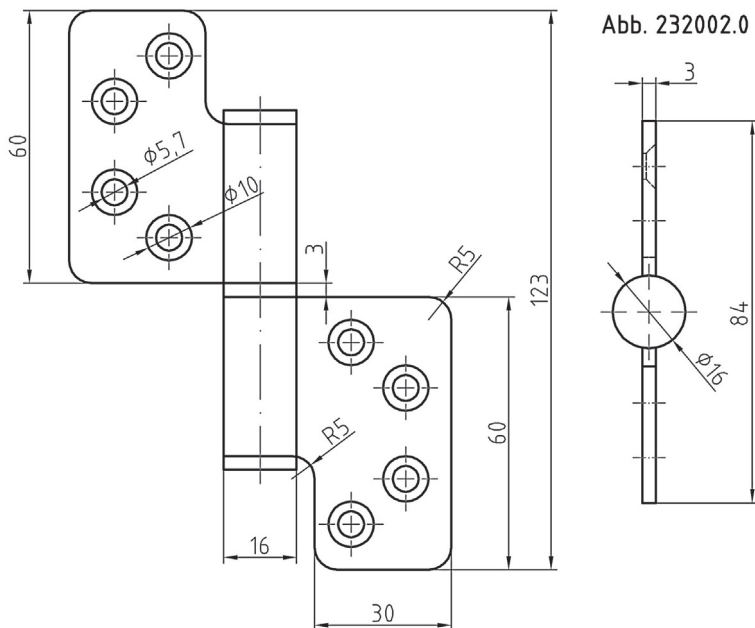


Art.code	Surface	Article description	Unit	Weight
N-232017.0	S/S brushed	Door hinge 90x65x3 mm, Left	pc.	0,200
N-232027.0	S/S brushed	Door hinge 90x65x3 mm, Right	pc.	0,200
N-232018.0	S/S brushed	Door hinge 100x86x3 mm, Left	pc.	0,290
N-232027.0	S/S brushed	Door hinge 100x86x3 mm, Right	pc.	0,290

HINGES 2001/2002 - HINGES STAINLESS STEEL NR. 2001/2002

Material: Stainless steel A4

- Polished surface on request



Art.code	Surface	Article description	Unit	Weight
N-232001.0	S/S brushed	Door hinge 123x84x3 mm, Right	pc.	0,210
N-232002.0	S/S brushed	Door hinge 123x84x3 mm, Left	pc.	0,210

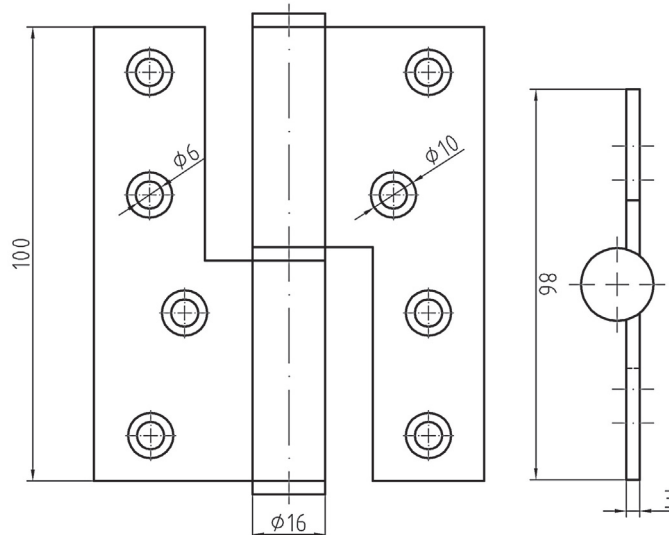
HINGES NR. 138 - HINGES STAINLESS STEEL NR. 138

Material: Stainless steel A4

- Polished surface on request



Abb. N-230190 R



Art.code	Surface	Article description	Unit	Weight
N-231012-R.0	S/S brushed	Door hinge 90x65x2,5 mm, right, holes 6x6 mm, for screws 4,5x25 mm	pc.	0,230
N-231012-L.0	S/S brushed	Door hinge 90x65x2,5 mm, left, holes 6x6 mm, for screws 4,5x25 mm	pc.	0,230
N-230190-R.0	S/S brushed	Door hinge 100x86x3 mm, right, holes 8x6 mm, for screws 5x25 mm	pc.	0,270
N-230190-L.0	S/S brushed	Door hinge 100x86x3 mm, left, holes 8x6 mm, for screws 5x25 mm	pc.	0,270
N-230841-R.0	S/S brushed	Door hinge 120x86x3 mm, right, holes 8x6 mm, for screws 5x25 mm	pc.	0,310
N-230841-L.0	S/S brushed	Door hinge 120x86x3 mm, left, holes 8x6 mm, for screws 5x25 mm	pc.	0,310

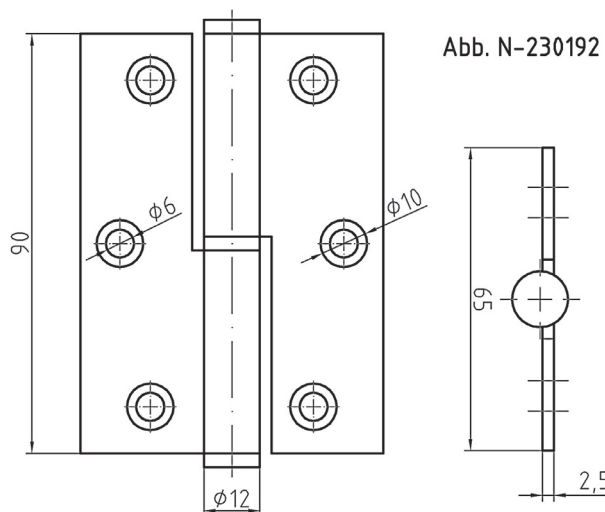
HINGES NR. 139 - HINGES STAINLESS STEEL NR. 139

Material: Stainless steel A4

- Polished surface on request



Abb. N-230192 R



Art.code	Surface	Article description	Unit	Weight
N-230191-R.0	S/S brushed	Door hinge 80x82x2,5 mm, right, holes 6x6 mm, for screws 4,5x25 mm, D=13 mm	pc.	0,155

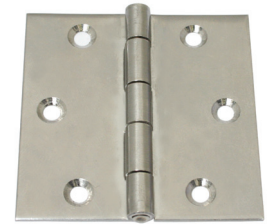
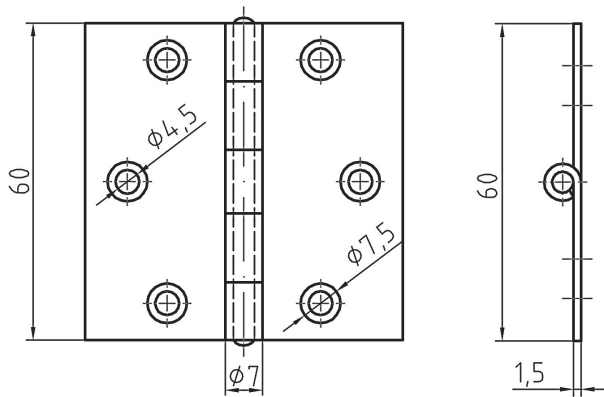
Art.code	Surface	Article description	Unit	Weight
N-230191-L.0	S/S brushed	Door hinge 80x82x2,5 mm, left, holes 6x6 mm, for screws 4,5x25 mm, D=13 mm	pc.	0,155
N-230192-R.0	S/S brushed	Door hinge 90x65x2,5 mm, right, holes 6x6 mm, for screws 4,5x25 mm, D=13 mm	pc.	0,155
N-230192-L.0	S/S brushed	Door hinge 90x65x2,5 mm, left, holes 6x6 mm, for screws 4,5x25 mm, D=13 mm	pc.	0,155
N-230193-R.0	S/S brushed	Door hinge 100x82x2,5 mm, right, holes 6x6 mm, for screws 4,5x25 mm, D=13 mm	pc.	0,165
N-230193-L.0	S/S brushed	Door hinge 100x82x2,5 mm, left, holes 6x6 mm, for screws 4,5x25 mm, D=13 mm	pc.	0,165

HINGES NR. 110 - HINGES STAINLESS STEEL NR. 110

Material: Stainless steel A4

- Polished surface on request

Abb. N-230070.0

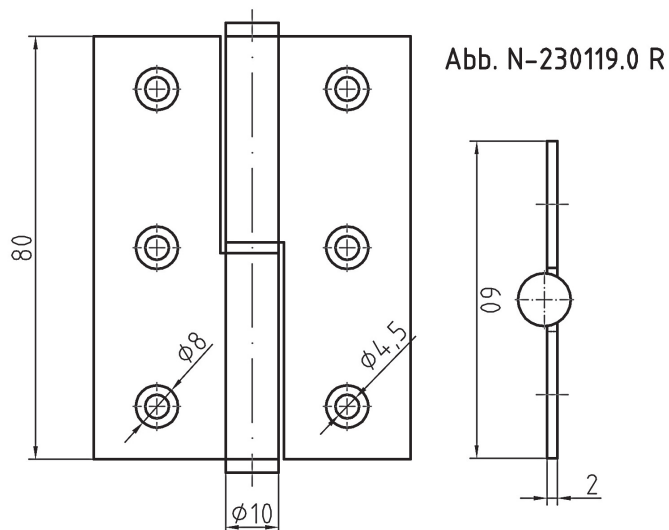


Art.code	Surface	Article description	Unit	Weight
N-230067.0	S/S brushed	Door hinge 30x30x0,9 mm, holes 4x3,5 mm, for screws 2,5x12 mm	pc.	0,035
N-230068.0	S/S brushed	Door hinge 40x40x1 mm, holes 4x4 mm, for screws 3x16 mm	pc.	0,040
N-230069.0	S/S brushed	Door hinge 50x50x1,2 mm, holes 6x4 mm, for screws 3x16 mm	pc.	0,045
N-230070.0	S/S brushed	Door hinge 60x60x1,5 mm, holes 6x4,5 mm, for screws 4x20 mm	pc.	0,050
N-230071.0	S/S brushed	Door hinge 70x70x1,2 mm, holes 6x5 mm, for screws 4x20 mm	pc.	0,055
N-230072.0	S/S brushed	Door hinge 80x80x1,2 mm, holes 6x5 mm, for screws 4x20 mm	pc.	0,060
N-230073.0	S/S brushed	Door hinge 90x90x1,2 mm, holes 6x5,5 mm, for screws 4x20 mm	pc.	0,065
N-230074.0	S/S brushed	Door hinge 100x100x1,5 mm, holes 6x5,5 mm, for screws 4,5x25 mm	pc.	0,070

HINGES NR. 120 - HINGES STAINLESS STEEL NR. 120

Material: Stainless steel A4

- Polished surface on request



Art.code	Surface	Article description	Unit	Weight
N-230114-R.0	S/S brushed	Door hinge 50x40x1,5 mm, right version, holes 6x4 mm, for screws 3,5x20 mm	pc.	0,085
N-230114-L.0	S/S brushed	Door hinge 50x40x1,5 mm, left version, holes 6x4 mm, for screws 3,5x20 mm	pc.	0,085
N-230115-R.0	S/S brushed	Door hinge 50x45x1,5 mm, right version, holes 6x4 mm, for screws 3,5x20 mm	pc.	0,090
N-230115-L.0	S/S brushed	Door hinge 50x45x1,5 mm, left version, holes 6x4 mm, for screws 3,5x20 mm	pc.	0,090
N-230116-R.0	S/S brushed	Door hinge 60x40x1,5 mm, right version, holes 6x4,5 mm, for screws 4x20 mm	pc.	0,095
N-230116-L.0	S/S brushed	Door hinge 60x40x1,5 mm, left version, holes 6x4,5 mm, for screws 4x20 mm	pc.	0,095
N-230117-R.0	S/S brushed	Door hinge 70x50x2 mm, right version, holes 6x4,5 mm, for screws 4x20 mm	pc.	0,100
N-230117-L.0	S/S brushed	Door hinge 70x50x2 mm, left version, holes 6x4,5 mm, for screws 4x20 mm	pc.	0,100
N-230118-R.0	S/S brushed	Door hinge 80x50x2 mm, right version, holes 6x4,5 mm, for screws 4x20 mm	pc.	0,105
N-230118-L.0	S/S brushed	Door hinge 80x50x2 mm, left version, holes 6x4,5 mm, for screws 4x20 mm	pc.	0,105
N-230119-R.0	S/S brushed	Door hinge 80x60x2 mm, right version, holes 6x4,5 mm, for screws 4x20 mm	pc.	0,110
N-230119-L.0	S/S brushed	Door hinge 80x60x2 mm, left version, holes 6x4,5 mm, for screws 4x20 mm	pc.	0,110

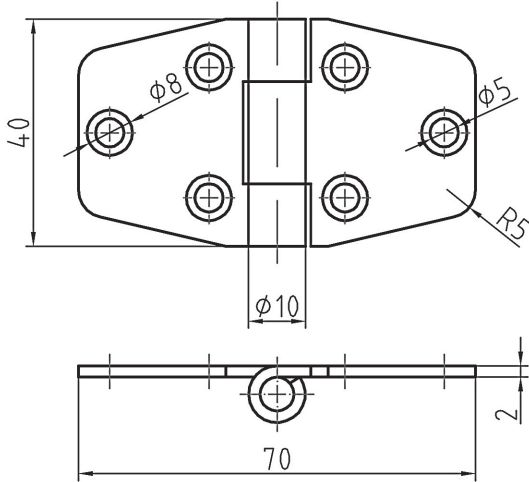
HINGES NR. 193 - HINGES STAINLESS STEEL NR. 193

Material: Stainless steel A4

- Brushed or polished surface on request



Abb. N-230312.0



Art.code	Surface	Article description	Unit	Weight
N-230312.0	S/S raw	Door hinge 40x70x2 mm, holes 6x5 mm, for screws 4x20 mm	pc.	0,050

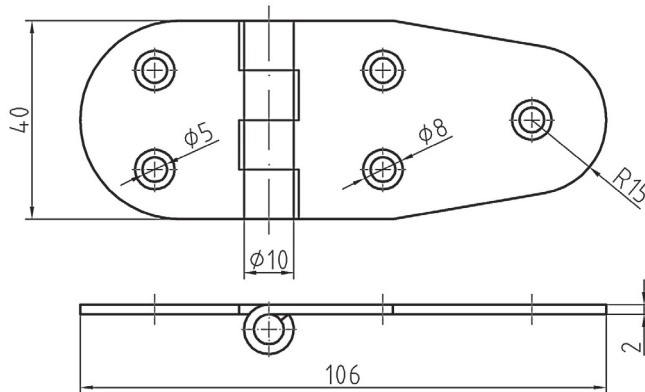
HINGES NR. 188 - HINGES STAINLESS STEEL NR. 188

Material: Stainless steel A4

- Brushed or polished surface on request



Abb. N-230837.0



Art.code	Surface	Article description	Unit	Weight
N-230837.0	S/S raw	Door hinge 40x70x2 mm, holes 6x5 mm, for screws 4x20 mm	pc.	0,070

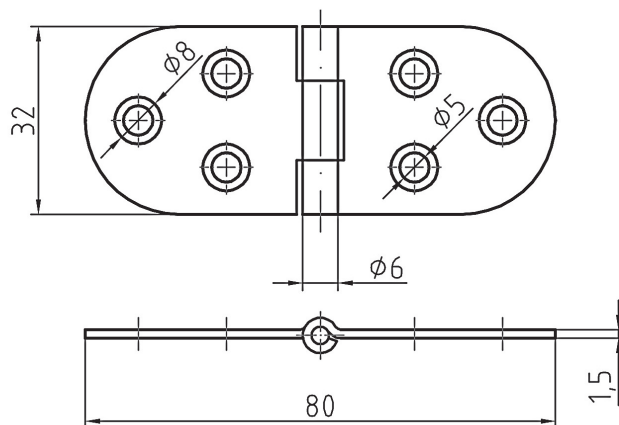
HINGES NR. 116 - HINGES STAINLESS STEEL NR. 116

Material: Stainless steel A4

- Brushed or polished surface on request



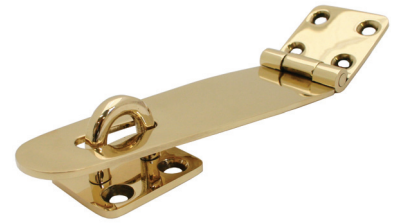
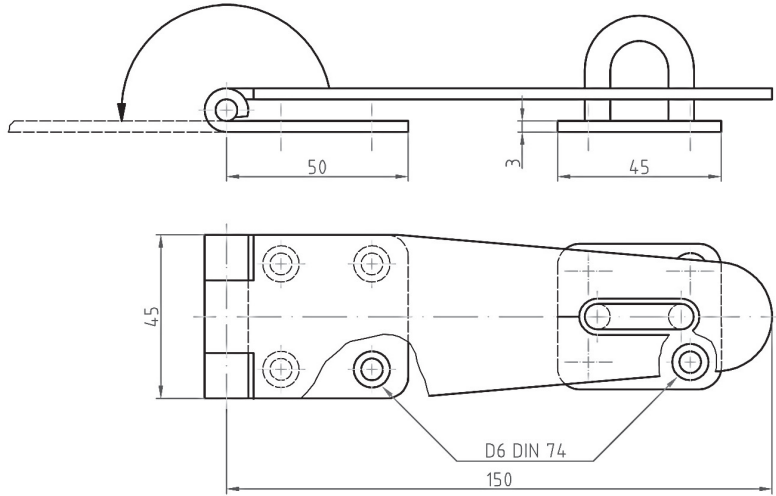
Abb. N-230095.0



Art.code	Surface	Article description	Unit	Weight
N-230095.0	S/S raw	Door hinge 32x80x1,5 mm, holes 6x5 mm, for screws 3,5x20 mm	pc.	0,035

HASPS STAMPED - HASPS LOCKABLE STAMPED

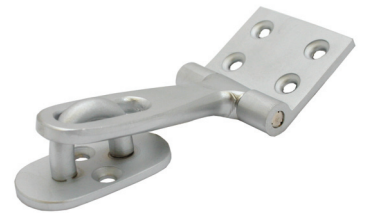
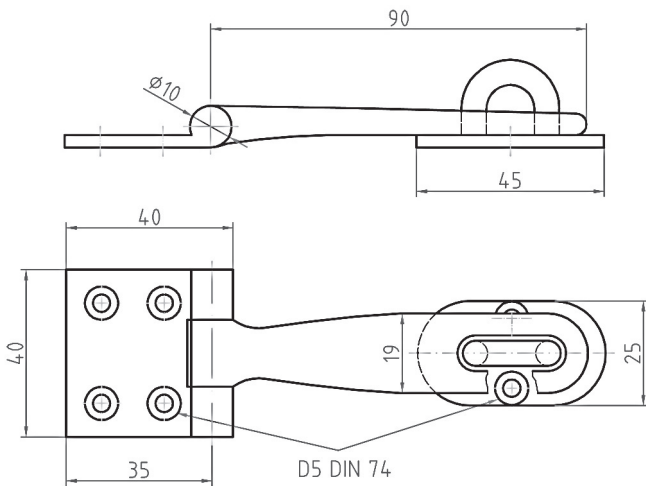
• Material: Brass Ms 63



Art.code	Surface	Article description	Unit	Weight
570200.4	Bp	Hasp hinge stamped for padlocks with eye plate 150x45 mm	pc.	0,265
570200.6	Bpc	Hasp hinge stamped for padlocks with eye plate 150x45 mm	pc.	0,265
570200.9	Bmc	Hasp hinge stamped for padlocks with eye plate 150x45 mm	pc.	0,265

HASPS CASTED - HASPS LOCKABLE CASTED

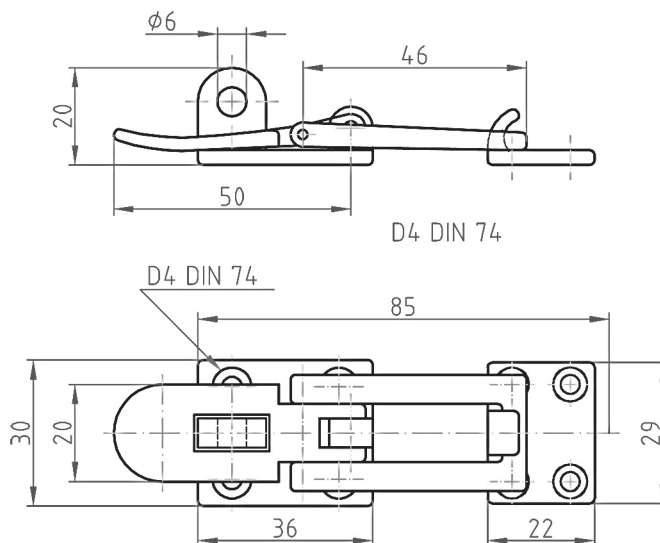
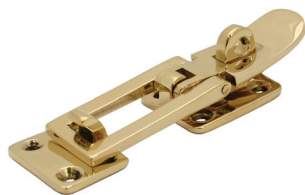
• Material: Brass Ms 63



Art.code	Surface	Article description	Unit	Weight
572090.4	Bp	Hasp hinge for padlocks with eye plate L=90 mm	pc.	0,120
572090.6	Bpc	Hasp hinge for padlocks with eye plate L=90 mm	pc.	0,120
572090.9	Bmc	Hasp hinge for padlocks with eye plate L=90 mm	pc.	0,120
572120.4	Bp	Hasp hinge for padlocks with eye plate L=120 mm	pc.	0,140
572120.6	Bpc	Hasp hinge for padlocks with eye plate L=120 mm	pc.	0,140
572120.9	Bmc	Hasp hinge for padlocks with eye plate L=120 mm	pc.	0,140

HASPS CASTED - HASPS LOCKABLE LIGHT VERSION

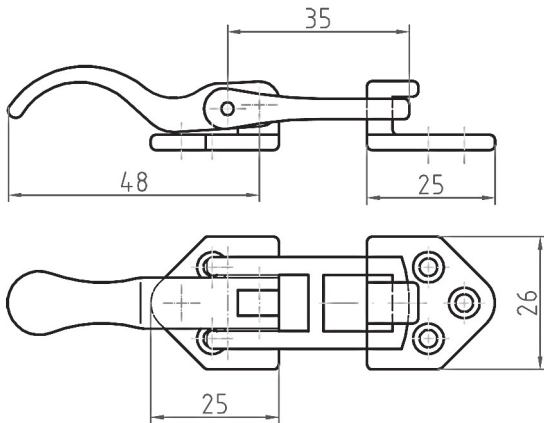
- Material: Brass Ms 63



Art.code	Surface	Article description	Unit	Weight
577000.1	Brp	Hasp with straight fixing plate 85x26 mm	pc.	0,090
577000.3	Brpc	Hasp with straight fixing plate 85x26 mm	pc.	0,090
577000.4	Bp	Hasp with straight fixing plate 85x26 mm	pc.	0,090
577000.6	Bpc	Hasp with straight fixing plate 85x26 mm	pc.	0,090
577000.9	Bmc	Hasp with straight fixing plate 85x26 mm	pc.	0,090
577100.1	Brp	Hasp with inside angle plate 85x26 mm	pc.	0,115
577100.3	Brpc	Hasp with inside angle plate 85x26 mm	pc.	0,115
577100.4	Bp	Hasp with inside angle plate 85x26 mm	pc.	0,115
577100.6	Bpc	Hasp with inside angle plate 85x26 mm	pc.	0,115
577100.9	Bmc	Hasp with inside angle plate 85x26 mm	pc.	0,115
577200.1	Brp	Hasp with outside angle plate 85x26 mm	pc.	0,130
577200.3	Brpc	Hasp with outside angle plate 85x26 mm	pc.	0,130
577200.4	Bp	Hasp with outside angle plate 85x26 mm	pc.	0,130
577200.6	Bpc	Hasp with outside angle plate 85x26 mm	pc.	0,130
577200.9	Bmc	Hasp with outside angle plate 85x26 mm	pc.	0,130

HASPS CASTED - HASPS NOT LOCKABLE LIGHT VERSION

• Material: Brass Ms 63



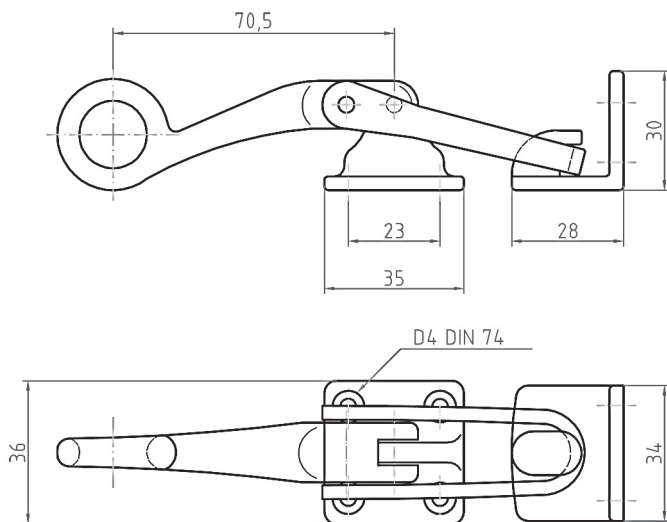
Art.code	Surface	Article description	Unit	Weight
576000.1	Brp	Hasp with straight fixing plate 60x26 mm	pc.	0,070
576000.3	Brpc	Hasp with straight fixing plate 60x26 mm	pc.	0,070
576000.4	Bp	Hasp with straight fixing plate 60x26 mm	pc.	0,070
576000.6	Bpc	Hasp with straight fixing plate 60x26 mm	pc.	0,070
576000.9	Bmc	Hasp with straight fixing plate 60x26 mm	pc.	0,070

HASPS WITH RING GRIP CASTED VERSION - HASPS NOT LOCKABLE

• Material: Brass Ms 63

• Further available surfaces: Bp, Bpc and Bmc

• Available as well with straight fixing plate



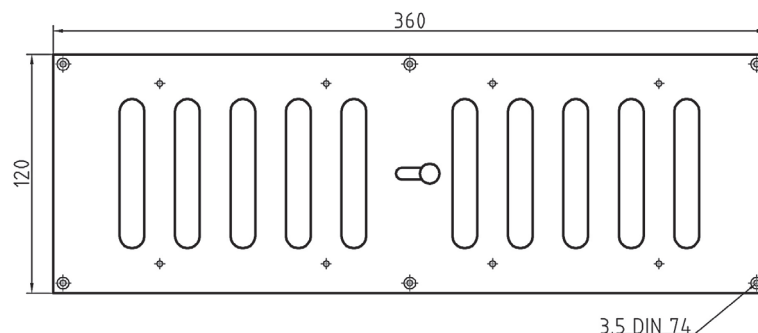
Art.code	Surface	Article description	Unit	Weight
574100.1	Brp	Hasp with ring grip	pc.	0,205
574100.3	Brpc	Hasp with ring grip	pc.	0,205
574100.4	Bp	Hasp with ring grip	pc.	0,205
574100.6	Bpc	Hasp with ring grip	pc.	0,205
574100.9	Bmc	Hasp with ring grip	pc.	0,205

VENTILATING VALVES ANGULAR - VENTILATING VALVES 2703



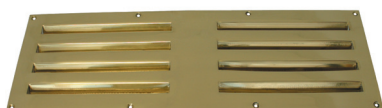
• Material: Brass Ms 58

• Available surfaces: Bp, Bpc and Bmc



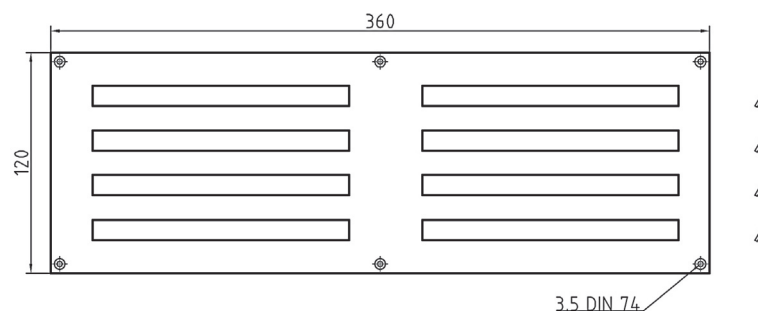
Art.code	Surface	Article description	Unit	Grp
270300.4	Bp	Ventilating valve 36x12 mm, without counter slide, Air admission 109 cm ²	pc.	0,560
270300.6	Bpc	Ventilating valve 36x12 mm, without counter slide, Air admission 109 cm ²	pc.	0,560
270300.9	Bmc	Ventilating valve 36x12 mm, without counter slide, Air admission 109 cm ²	pc.	0,560

VENTILATING VALVES ANGULAR - VENTILATING VALVE COUNTERPLATE 2753



• Material: Brass Ms 58

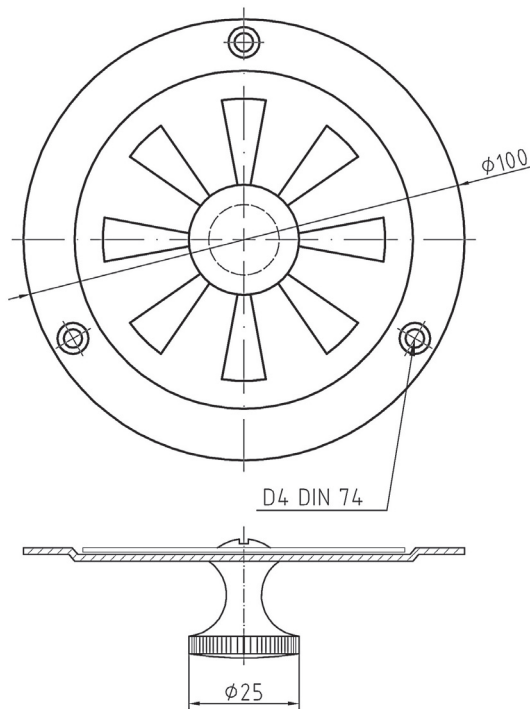
• Available surfaces: Bp, Bpc and Bmc



Art.code	Surface	Article description	Unit	Weight
275300.4	Bp	Counter plate for ventilating valve Nr. 270300, 360x120 mm	pc.	0,530
275300.6	Bpc	Counter plate for ventilating valve Nr. 270300, 360x120 mm	pc.	0,530
275300.9	Bmc	Counter plate for ventilating valve Nr. 270300, 360x120 mm	pc.	0,530

VENTILATING VALVES ROUND - ROUND VALVES 2721-2725

- Material: Brass Ms 58
- Also available with assembled knob inside
- Available surfaces: Bp, Bpc and Bmc



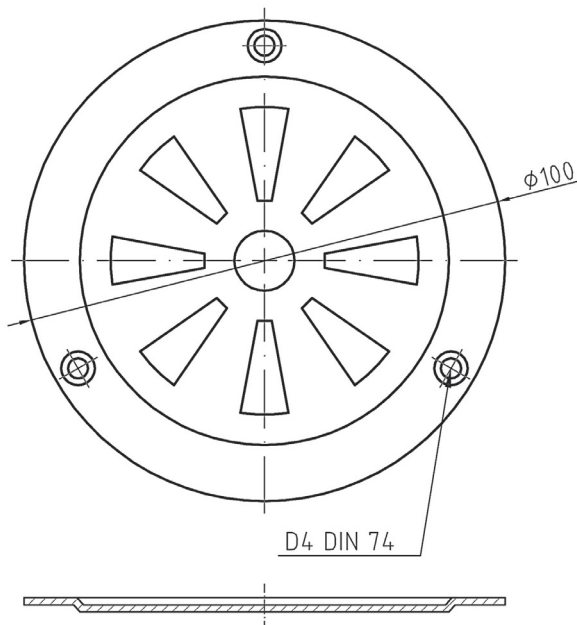
Art.code	Surface	Article description	Unit	Weight
272102.4	Bp	Ventilating valve round with knob outside, diameter 200 mm	pc.	0,490
272102.6	Bpc	Ventilating valve round with knob outside, diameter 200 mm	pc.	0,490
272102.9	Bmc	Ventilating valve round with knob outside, diameter 200 mm	pc.	0,490
272202.4	Bp	Ventilating valve round with knob outside, diameter 175 mm	pc.	0,460
272202.6	Bpc	Ventilating valve round with knob outside, diameter 175 mm	pc.	0,460
272202.9	Bmc	Ventilating valve round with knob outside, diameter 175 mm	pc.	0,460
272302.4	Bp	Ventilating valve round with knob outside, diameter 150 mm	pc.	0,410
272302.6	Bpc	Ventilating valve round with knob outside, diameter 150 mm	pc.	0,410
272302.9	Bmc	Ventilating valve round with knob outside, diameter 150 mm	pc.	0,410
272402.4	Bp	Ventilating valve round with knob outside, diameter 125 mm	pc.	0,370
272402.6	Bpc	Ventilating valve round with knob outside, diameter 125 mm	pc.	0,370
272402.9	Bmc	Ventilating valve round with knob outside, diameter 125 mm	pc.	0,370
272502.4	Bp	Ventilating valve round with knob outside, diameter 100 mm	pc.	0,160
272502.6	Bpc	Ventilating valve round with knob outside, diameter 100 mm	pc.	0,160
272502.9	Bmc	Ventilating valve round with knob outside, diameter 100 mm	pc.	0,160

VENTILATING VALVES ROUND - VENTILATING COUNTER PLATES 2771-2775



• Material: Brass Ms 58

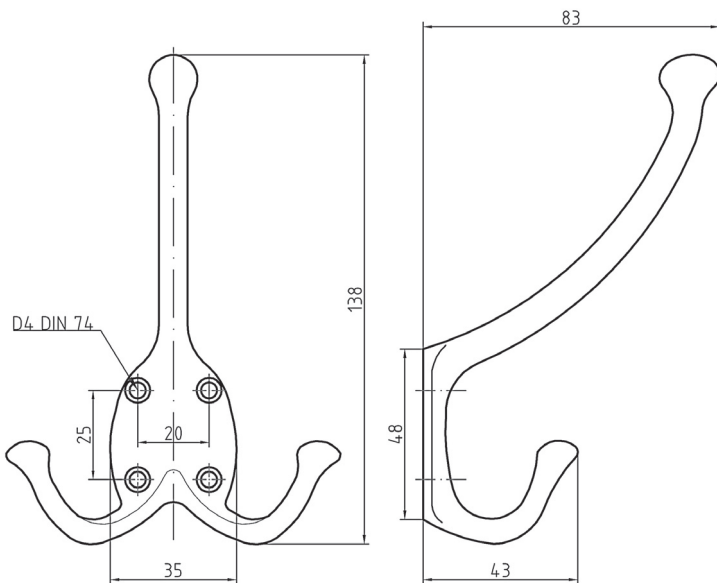
• Available surfaces: Bp, Bpc and Bmc



Art.code	Surface	Article description	Unit	Weight
277100.4	Bp	Counter plate for ventilating valve, diameter 200 mm	pc.	0,180
277100.6	Bpc	Counter plate for ventilating valve, diameter 200 mm	pc.	0,180
277100.9	Bmc	Counter plate for ventilating valve, diameter 200 mm	pc.	0,180
277200.4	Bp	Counter plate for ventilating valve, diameter 175 mm	pc.	0,160
277200.6	Bpc	Counter plate for ventilating valve, diameter 175 mm	pc.	0,160
277200.9	Bmc	Counter plate for ventilating valve, diameter 175 mm	pc.	0,160
277300.4	Bp	Counter plate for ventilating valve, diameter 150 mm	pc.	0,140
277300.6	Bpc	Counter plate for ventilating valve, diameter 150 mm	pc.	0,140
277300.9	Bmc	Counter plate for ventilating valve, diameter 150 mm	pc.	0,140
277400.4	Bp	Counter plate for ventilating valve, diameter 125 mm	pc.	0,120
277400.6	Bpc	Counter plate for ventilating valve, diameter 125 mm	pc.	0,120
277400.9	Bmc	Counter plate for ventilating valve, diameter 125 mm	pc.	0,120
277500.4	Bp	Counter plate for ventilating valve, diameter 100 mm	pc.	0,100
277500.6	Bpc	Counter plate for ventilating valve, diameter 100 mm	pc.	0,100
277500.9	Bmc	Counter plate for ventilating valve, diameter 100 mm	pc.	0,100

HAT AND COAT HOOKS - HAT AND COAT HOOKS 2 ARMS

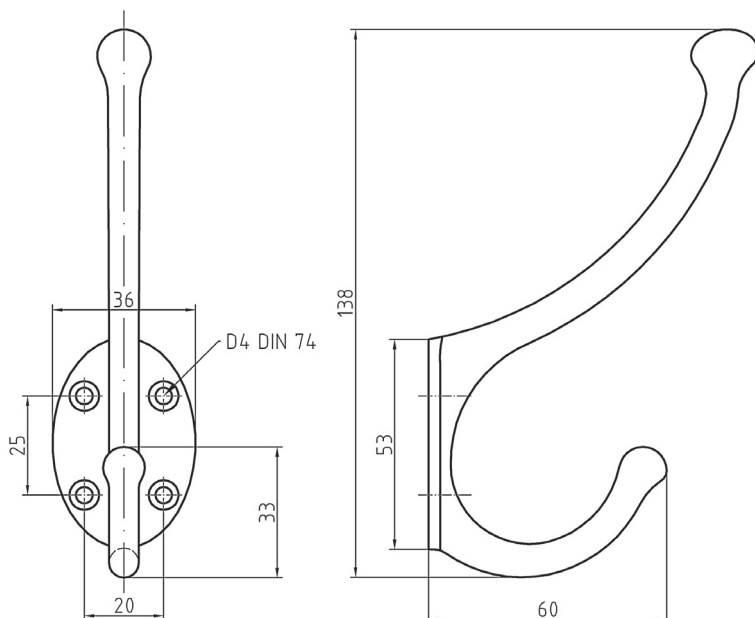
• Material: Brass Ms 63



Art.code	Surface	Article description	Unit	Weight
590000.4	Bp	Hat and coat hook, two arms	pc.	0,170
590000.6	Bpc	Hat and coat hook, two arms	pc.	0,170
590000.9	Bmc	Hat and coat hook, two arms	pc.	0,170

HAT AND COAT HOOKS - HAT AND COAT HOOKS 1 ARM

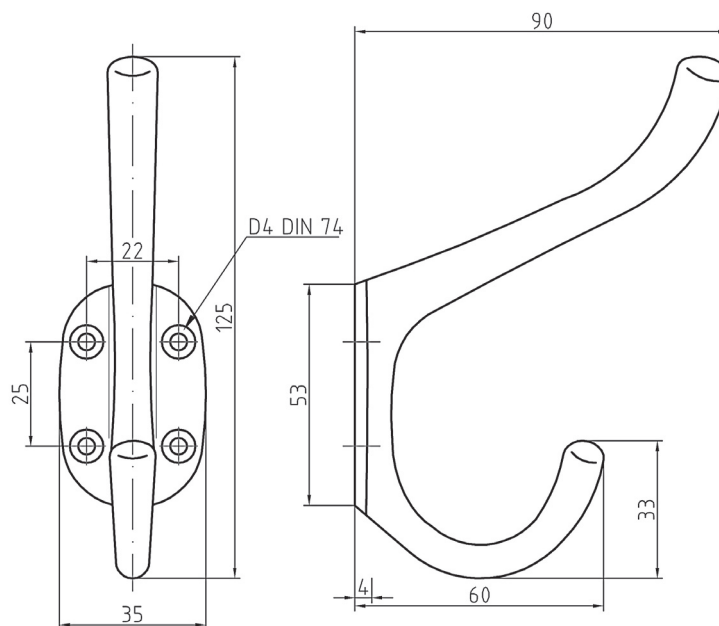
• Material: Brass Ms 63



Art.code	Surface	Article description	Unit	Weight
590100.4	Bp	Hat and coat hook, one arm	pc.	0,150
590100.6	Bpc	Hat and coat hook, one arm	pc.	0,150
590100.9	Bmc	Hat and coat hook, one arm	pc.	0,150

HAT AND COAT HOOKS - HAT AND COAT HOOKS DIN 81407 A

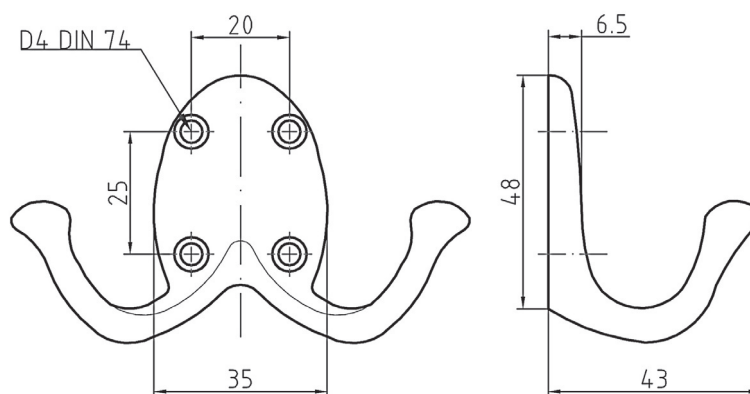
- Material: Brass Ms 63



Art.code	Surface	Article description	Unit	Weight
590200.4	Bp	Hat and coat hook, heavy version, DIN 81407 A	pc.	0,170
590200.6	Bpc	Hat and coat hook, heavy version, DIN 81407 A	pc.	0,170
590200.9	Bmc	Hat and coat hook, heavy version, DIN 81407 A	pc.	0,170

HAT AND COAT HOOKS - HAT AND COAT HOOKS DOUBLE

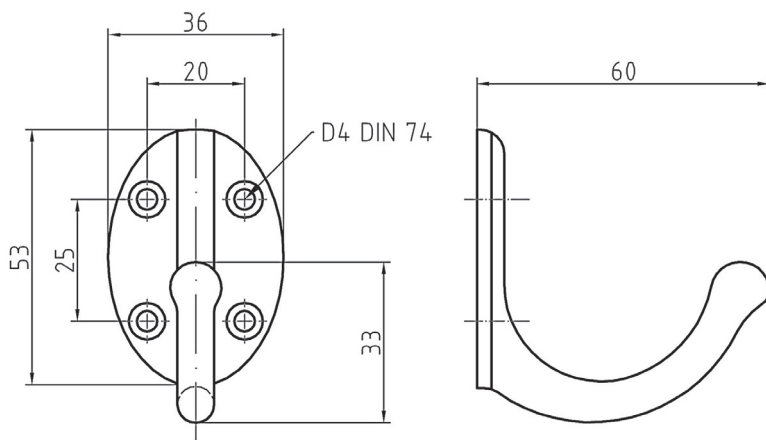
- Material: Brass Ms 63



Art.code	Surface	Article description	Unit	Weight
590600.4	Bp	Double coat hook 5900 1/2	pc.	0,120
590600.6	Bpc	Double coat hook 5900 1/2	pc.	0,120
590600.9	Bmc	Double coat hook 5900 1/2	pc.	0,120

HAT AND COAT HOOKS - HAT AND COAT HOOKS SINGLE

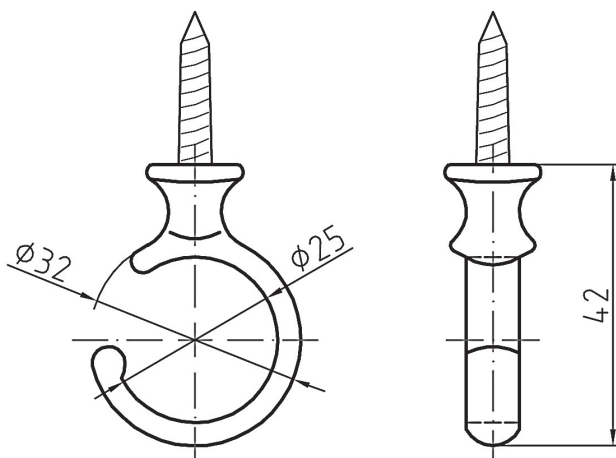
• Material: Brass Ms 63



Art.code	Surface	Article description	Unit	Weight
590700.4	Bp	Single coat hook 5901 1/2	pc.	0,100
590700.6	Bpc	Single coat hook 5901 1/2	pc.	0,100
590700.9	Bmc	Single coat hook 5901 1/2	pc.	0,100

CUP HOOKS BRASS - CUP HOOKS DIN 81408

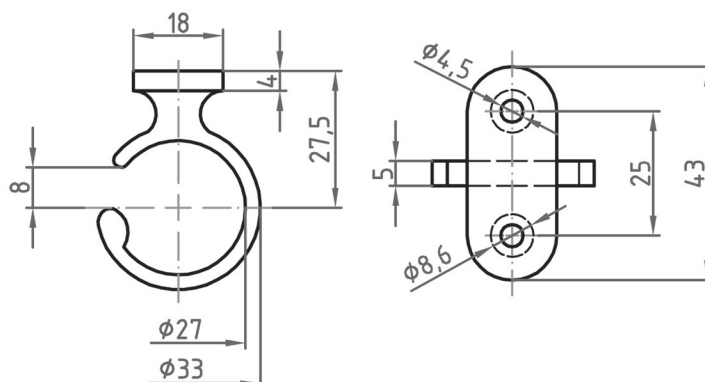
• Material: Brass Ms 63



Art.code	Surface	Article description	Unit	Weight
591025.4	Bp	Cup hook 25 mm, DIN 81408	pc.	0,020
591025.6	Bpc	Cup hook 25 mm, DIN 81408	pc.	0,020
591025.9	Bmc	Cup hook 25 mm, DIN 81408	pc.	0,020

CUP HOOKS BRASS - CEILING HOOKS

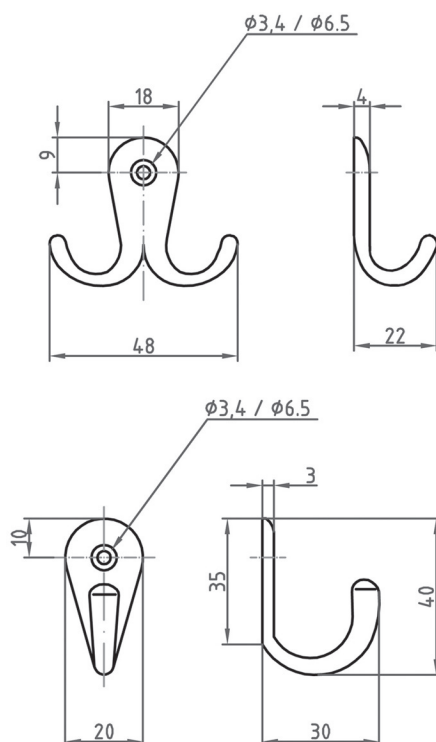
- Material: Brass Ms 63



Art.code	Surface	Article description	Unit	Weight
592000.4	Bp	Ceiling hook 30 mm with 2 fixing holes	pc.	0,020
592000.6	Bpc	Ceiling hook 30 mm with 2 fixing holes	pc.	0,020
592000.9	Bmc	Ceiling hook 30 mm with 2 fixing holes	pc.	0,020

TOWEL HOOKS - TOWEL HOOKS 40 MM

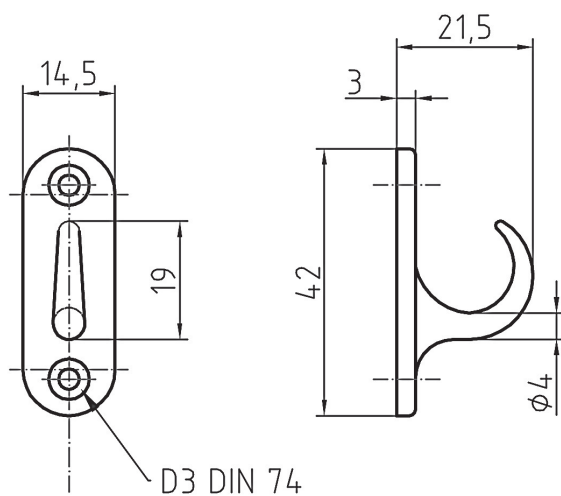
- Material: Brass Ms 63



Art.code	Surface	Article description	Unit	Weight
H-7563.1	Bp	Towel twin hook No. 756/40 mm, one fixing hole	pc.	0,024
H-7563.3	Bpc	Towel twin hook No. 756/40 mm, one fixing hole	pc.	0,024
H-7545.1	Bp	Towel hook single No. 754/40 mm, one fixing hole	pc.	0,015
H-7545.3	Bpc	Towel hook single No. 754/40 mm, one fixing hole	pc.	0,015

TOWELL HOOKS - DIN 81407 F

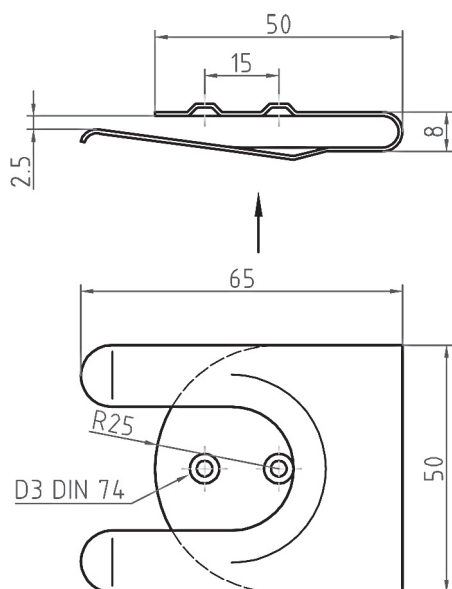
- Material: Brass Ms 63



Art.code	Surface	Article description	Unit	Weight
594000.4	Bp	Towel hook DIN 81407 F, Nr. 310	pc.	0,020
594000.6	Bpc	Towel hook DIN 81407 F, Nr. 310	pc.	0,020
594000.9	Bmc	Towel hook DIN 81407 F, Nr. 310	pc.	0,020

WINE GLASS HOLDER STAINLESS STEEL - WINE GLASS HOLDER 0,8 MM

- Material: Stainless steel A2
- Surface raw
- Material thickness 0,8 mm

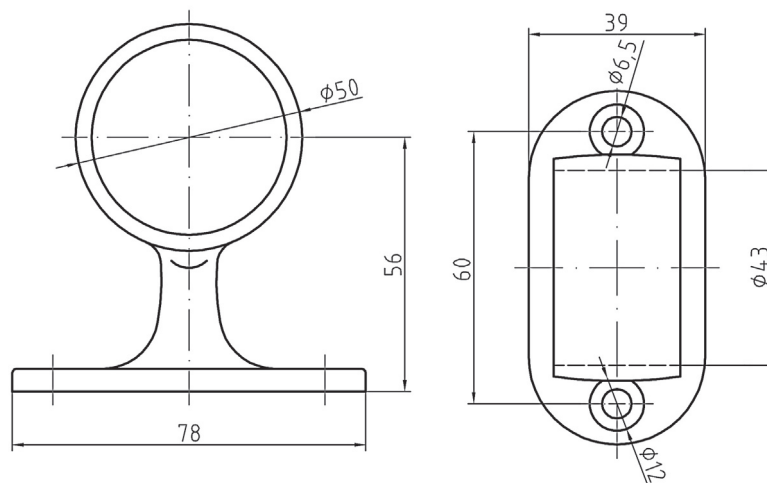


Art.code	Surface	Article description	Unit	Weight
537075.0	S/S raw	Wine glass holder, stainless steel 0,8 mm	pc.	0,030

RAILING HOLDERS BRASS - HANDRAIL MIDDLE PARTS

- Material: Brass Ms 63

Abb. 580300

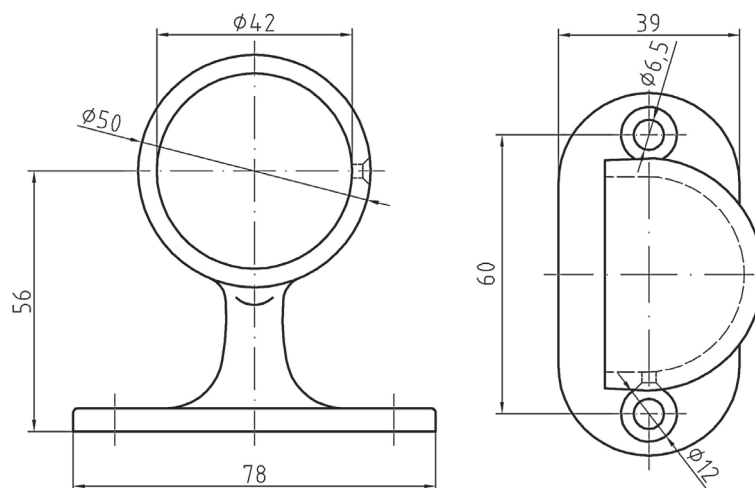


Art.code	Surface	Article description	Unit	Weight
580300.4	Bp	Handrail middle part 43 mm, Nr. 412	pc.	0,310
580300.6	Bpc	Handrail middle part 43 mm, Nr. 412	pc.	0,310
580300.9	Bmc	Handrail middle part 43 mm, Nr. 412	pc.	0,310

RAILING HOLDERS BRASS - HANDRAIL END PARTS

- Material: Brass Ms 63

Abb. 580200



Art.code	Surface	Article description	Unit	Weight
580200.4	Bp	Handrail end part 42 mm, Nr. 413	pc.	0,310
580200.6	Bpc	Handrail end part 42 mm, Nr. 413	pc.	0,310
580200.9	Bmc	Handrail end part 42 mm, Nr. 413	pc.	0,310

RAILING HOLDERS BRASS - HANDRAIL BRACKETS

With oval or straight supporting plate

• Material: Brass Ms 63

• Also available in Bpc and Bmc

Abb. 580110

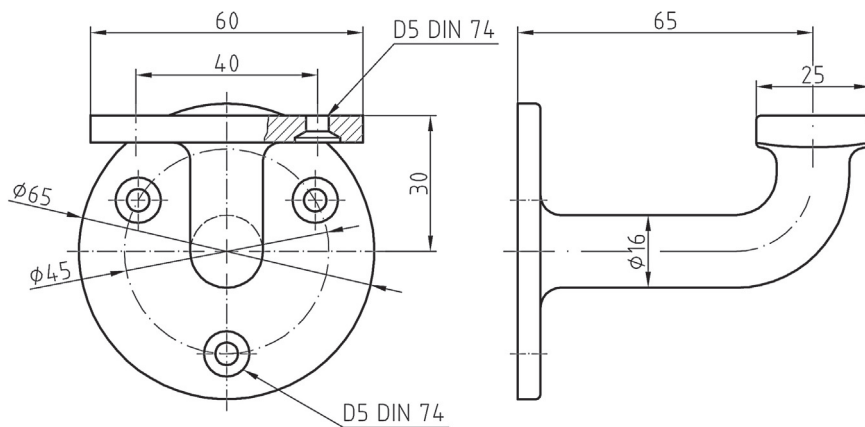
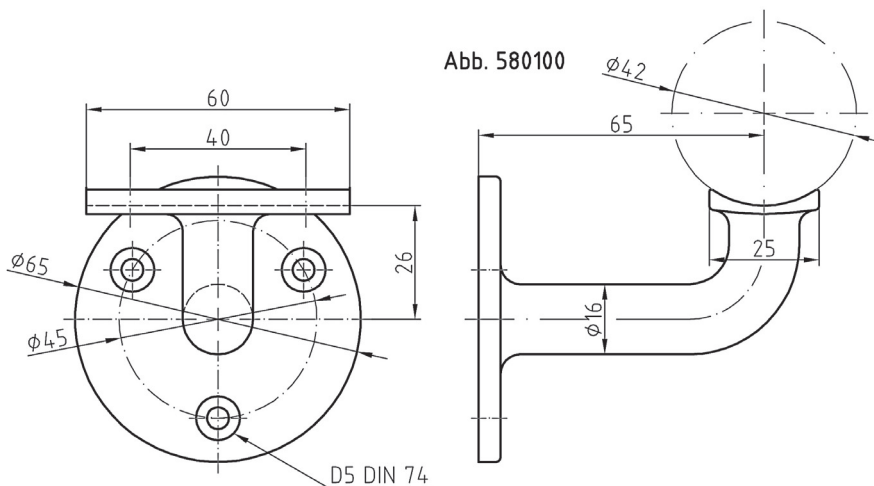


Abb. 580100



Art.code	Surface	Article description	Unit	Weight
580100.4	Bp	Handrail bracket L=65 mm for tube 42 mm, round fixing plate	pc.	0,320
580100.6	Bpc	Handrail bracket L=65 mm for tube 42 mm, round fixing plate	pc.	0,320
580100.9	Bmc	Handrail bracket L=65 mm for tube 42 mm, round fixing plate	pc.	0,320
580110.4	Bp	Handrail bracket L=65 mm, straight support, round fixing plate	pc.	0,340
580110.6	Bpc	Handrail bracket L=65 mm, straight support, round fixing plate	pc.	0,340
580110.9	Bmc	Handrail bracket L=65 mm, straight support, round fixing plate	pc.	0,340

BOARD HOLDER CASTED OR STAMPED - BOARD HOLDER

• Material: Brass Ms 63

• Further sizes are possible



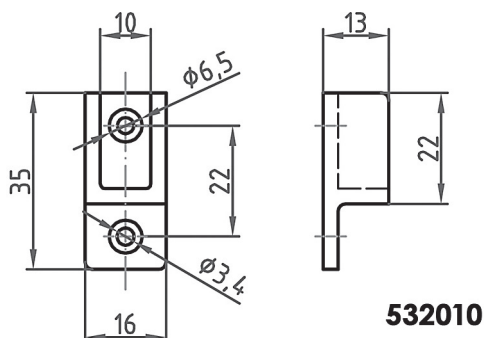
532010.9



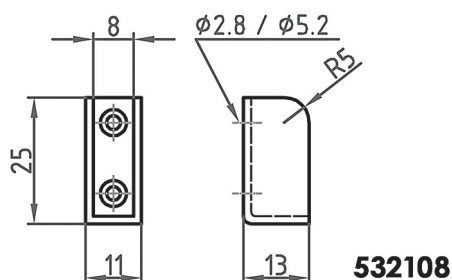
532108.9



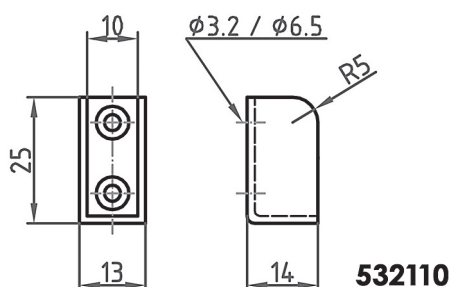
532110.9



532010



532108

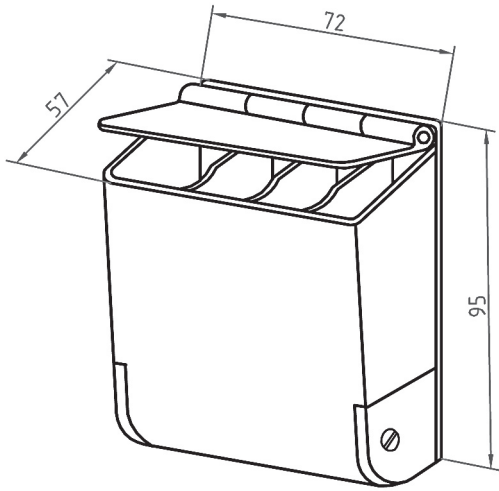


532110

Art.code	Surface	Article description	Unit	Weight
532108.4	Bp	Board holder 25 mm length for 8 mm wood thickness, stamped	pc.	0,013
532108.6	Bpc	Board holder 25 mm length for 8 mm wood thickness, stamped	pc.	0,013
532108.9	Bmc	Board holder 25 mm length for 8 mm wood thickness, stamped	pc.	0,013
532010.4	Bp	Board holder 35 mm length for 10 mm wood thickness, casted	pc.	0,025
532010.6	Bpc	Board holder 35 mm length for 10 mm wood thickness, casted	pc.	0,025
532010.9	Bmc	Board holder 35 mm length for 10 mm wood thickness, casted	pc.	0,025
532112.4	Bp	Board holder 35 mm length for 12 mm wood thickness, casted	pc.	0,025
532112.6	Bpc	Board holder 35 mm length for 12 mm wood thickness, casted	pc.	0,025
532112.9	Bmc	Board holder 35 mm length for 12 mm wood thickness, casted	pc.	0,025
532116.4	Bp	Board holder 45 mm length for 16 mm wood thickness, casted	pc.	0,025
532116.6	Bpc	Board holder 45 mm length for 16 mm wood thickness, casted	pc.	0,025
532116.9	Bmc	Board holder 45 mm length for 16 mm wood thickness, casted	pc.	0,025

**ASHTRAY FOR WALL MOUNTING - ASHTRAY FOR WALLMOUNTING
ALUMINIUM ANODIZED**

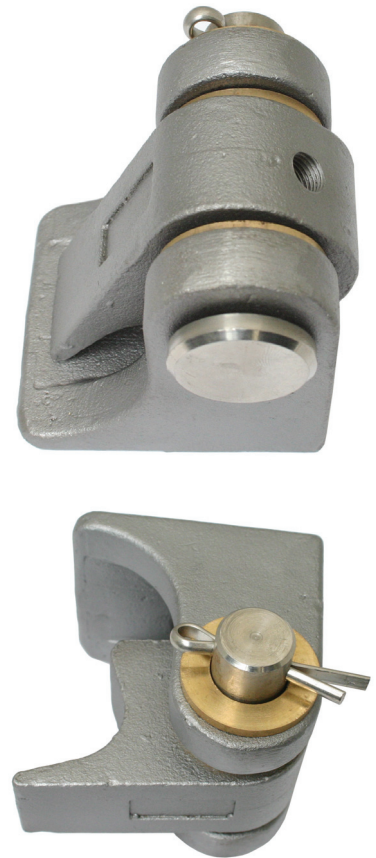
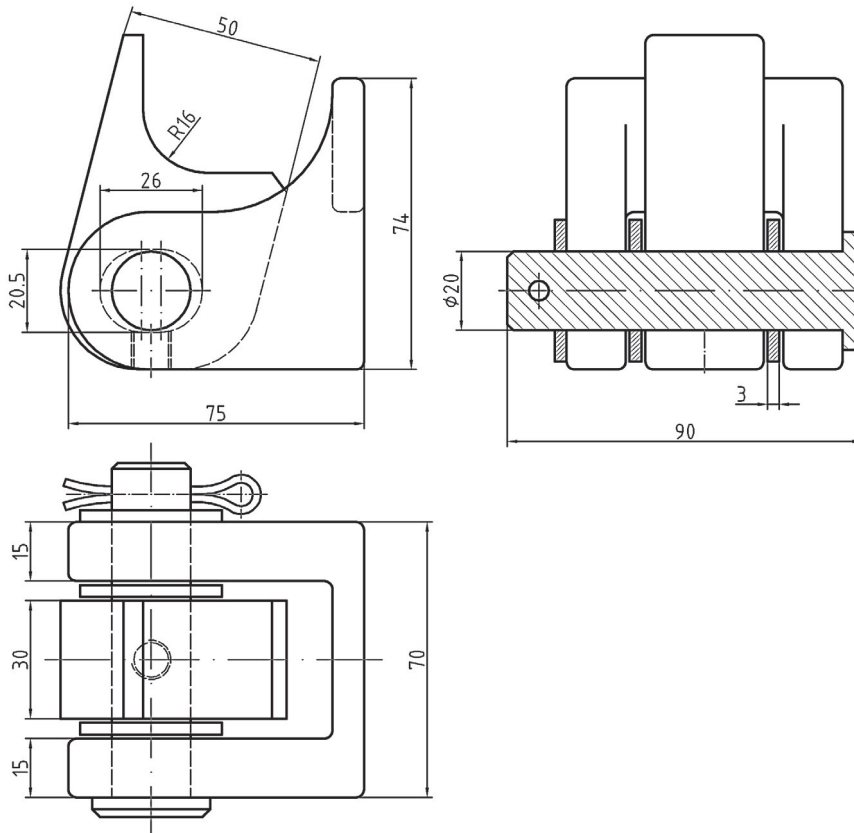
- Material: Alu anodized



Art.code	Surface	Article description	Unit	Weight
600150.0	Al elox	Ashtray for wall mounting 95x72 mm	set	0,325

HINGE DIN 83105 FORM C - HINGE DIN 83105 FORM C WITH LONG HOLE

• Also single parts available



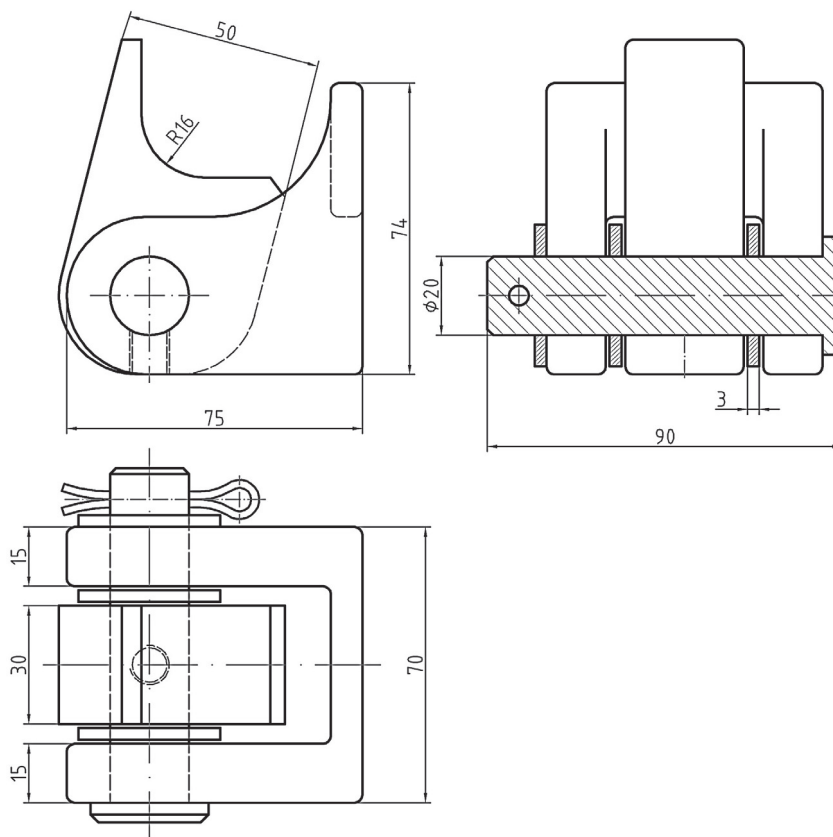
Art.code	Surface	Article description	Unit	Weight
2383105-C	Steel	Hinges for heavy hinged ship doors, DIN 83105 C with long hole	set	1,500

10 HINGES FOR SHIP DOORS

STEEL HINGES FOR HEAVY HINGED SHIP DOORS

HINGE DIN 83105 FORM D - HINGE DIN 83105 FORM D WITH ROUND HOLE

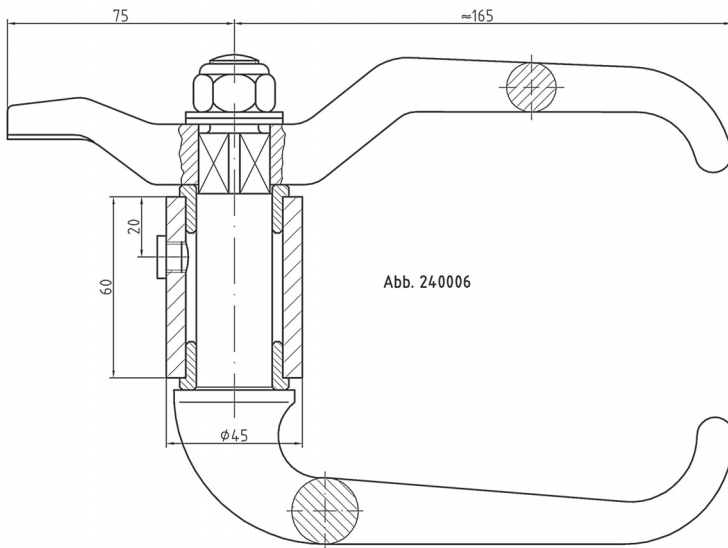
- Also single parts available



Art.code	Surface	Article description	Unit	Weight
2383105-D	Steel	Hinges for heavy hinged ship doors, DIN 83105 D with round hole	set	1,500

DOG ASSEMBLY DIN 83104 FORM A - DIN 83104 FORM A, STEEL

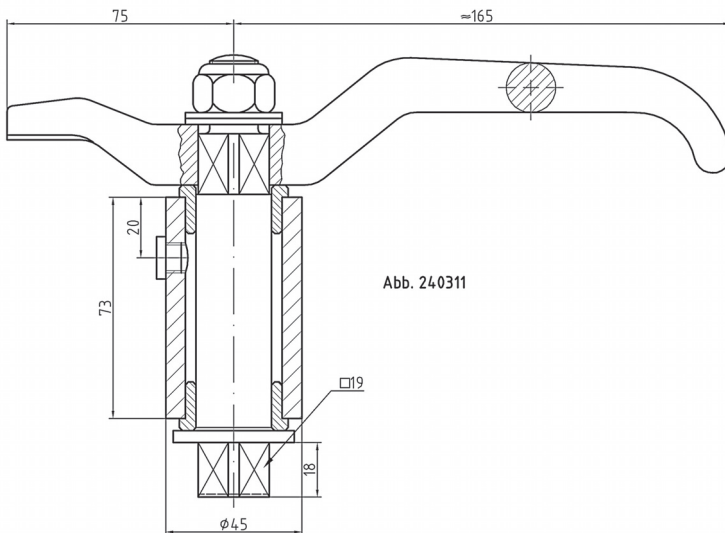
- Steel grips red zinc primed
- Yellow zinc plated surface on request
- Spare or single parts available in chapter attachments



Art.code	Surface	Article description	Unit	Weight
240006	St 37-2	Door dogs steel, DIN 83104, A 60, without limit stopper	set	1,900
240002	St 37-2	Door dogs steel, DIN 83104, A 60, with limit stopper Rd 12x50 mm	set	1,900
240016	St 37-2	Door dogs steel, DIN 83104, A 73, without limit stopper	set	2,000
240012	St 37-2	Door dogs steel, DIN 83104, A 73, with limit stopper Rd 12x50 mm	set	2,000
240026	St 37-2	Door dogs steel, DIN 83104, A 93, without limit stopper	set	2,300
240022	St 37-2	Door dogs steel, DIN 83104, A 93, with limit stopper Rd 12x50 mm	set	2,300
240036	St 37-2	Door dogs steel, A 80, without limit stopper	set	2,120

DOG ASSEMBLY DIN 83104 FORM B - DIN 83104 FORM B

- Steel grip red zinc primed
- Other lengths in steel or stainless steel on request
- Spare or single parts available in chapter attachments

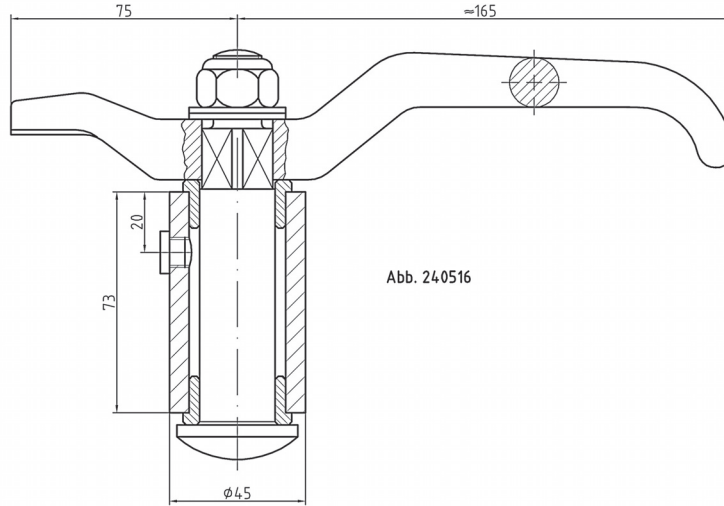


Art.code	Surface	Article description	Unit	Weight
240312	St 37-2	Door dogs steel, DIN 83104, B 73, with limit stopper Rd 12x50 mm	set	1,600
240316	St 37-2	Door dogs steel, DIN 83104, B 73, without limit stopper	set	1,600
240322	St 37-2	Door dogs steel, DIN 83104, B 93, with limit stopper Rd 12x50 mm	set	1,240
240326	St 37-2	Door dogs steel, DIN 83104, B 93, without limit stopper	set	1,240
240413	S/S raw	Door dogs stainless steel, DIN 83104, B 73, without limit stopper	set	1,260
240413.4	S/S pol	Door dogs stainless steel, DIN 83104, B 73, without limit stopper	set	1,260

DOG ASSEMBLY DIN 83104 FORM C - DOG ASSEMBLY DIN 83104 FORM C

The steel spindle hole part and handle are red zinc primary coated

- Steel grip red zinc primed
- Stainless steel and other lengths on request
- Spare or single parts available under chapter attachments

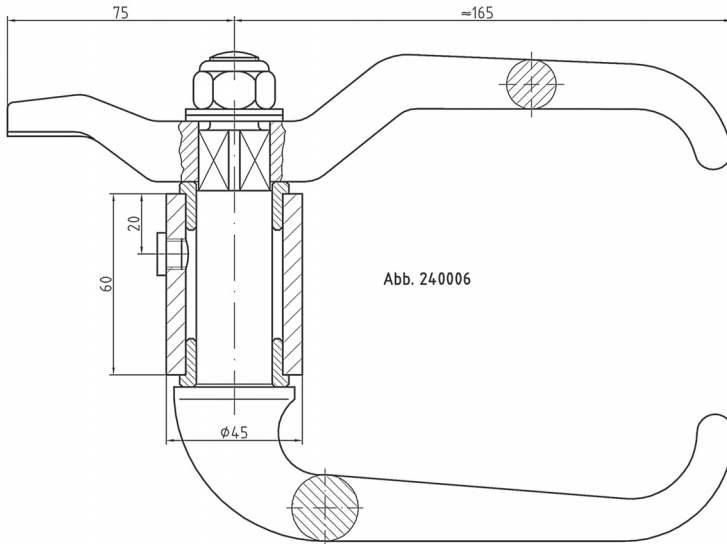
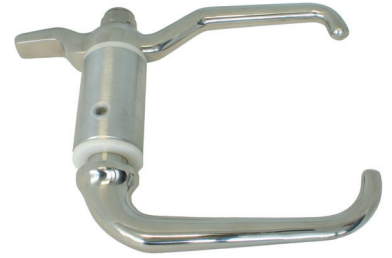


Art.code	Surface	Article description	Unit	Weight
240512	St 37-2	Door dogs steel, DIN 83104, C 73, with limit stopper Rd 12x50 mm	set	0,660
240516	St 37-2	Door dogs steel, DIN 83104, C 73, without limit stopper	set	0,660

DOG ASSEMBLY DIN 83104 FORM A, STAINLESS STEEL - DIN 83104 FORM A, STAINLESS STEEL

Material: S/S A2

- All stainless steel dog fasteners available in surfaces raw or polished
- Spare or single parts available under attachments
- Stainless steel A4 material on request
- With aluminium or stainless steel tube A4



Art.code	Surface	Article description	Unit	Weight
240213	S/S raw	Door dogs stainless steel, DIN 83104, A 73 without limit stopper	set	1,650
240213.4	S/S pol	Door dogs stainless steel, DIN 83104, A 73 without limit stopper	set	1,670
240211	S/S raw	Door dogs stainless steel, DIN 83104, A 73, with limit stopper Rd 12x50 mm	set	1,650
240211.4	S/S pol	Door dogs stainless steel, DIN 83104, A 73, with limit stopper Rd 12x50 mm	set	1,670
240220	S/S raw	Door dogs, DIN 83104, A 73, with stainless steel A4 tube and PE bushes, without limit stopper	set	1,650
240220.4	S/S pol	Door dogs, DIN 83104, A 73, with stainless steel A4 tube and PE bushes, without limit stopper	set	1,650

SPARE PART LIST STEEL - DIN 83104 STEEL SPARE PARTS

- For galvanized surfaces and yellow zinc plated parts
please note minimum quantities

Art.code	Surface	Article description	Unit	Weight
240091.1	St 37-2	Door handle part A 60	pc.	0,760
240092.1	St 37-2	Door handle part A 73	pc.	0,890
240093.1	St 37-2	Door handle part A 93	pc.	1,020
240090.1	St 37-2	Door handle spindle hole part	pc.	0,560
249986	St 35 BK	Steel tube A 60, with loose brass bushes	pc.	0,380
249987	St 35 BK	Steel tube A 73, with loose brass bushes	pc.	0,410
249989	St 35 BK	Steel tube A 93, with loose brass bushes	pc.	0,620
249700	St 37-2	Steel washer zinc plated DIN 2093 A, 31,5x16,3x1,75 mm	pc.	0,010
249600	St 37-2	Steel safety nut M 16, DIN 985	pc.	0,020
249804	S/S	Grease nipple M 10	pc.	0,020
249802	Brass	Loose brass bush	pc.	0,045
240381	St 37-2	Steel axis Form B 73 with spindle head	pc.	0,470
240382	St 37-2	Steel axis Form B 93 with spindle head	pc.	0,570
240581	St 37-2	Steel axis Form C 73 with half round head	pc.	0,470
240582	St 37-2	Steel axis Form C 93 with half round head	pc.	0,570
249500	St 37-2	Limit stopper 12x50 mm	pc.	0,040

SPARE PART LIST STAINLESS STEEL - DIN 83104 STAINLESS STEEL SPARE PARTS

- For galvanized surfaces and yellow zinc plated parts
please note minimum quantities

Art.code	Surface	Article description	Unit	Weight
245092.0	S/S raw	Door handle part A 73, A2	pc.	0,970
245092.4	S/S pol	Door handle part A 73, A2	pc.	0,970
245090.0	S/S raw	Door square hole part A2	pc.	0,540
245090.4	S/S pol	Door square hole part A2	pc.	0,540
249973	Alu	Aluminium tube A 73, with assembled PE-bushes	pc.	0,210
249974	Alu	Aluminium tube A 93, with assembled PE-bushes	pc.	0,260
249800	S/S	Stainless steel washer A4, DIN 125	pc.	0,010
249600.0	S/S	Stainless steel safety nut M 16, DIN 985	pc.	0,020
249804	S/S	Grease nipple M 10 stainless steel	pc.	0,020
249803	PE	Loose PE bush 45x16 mm	pc.	0,030
245381	S/S	Stainless steel axis Form B 73 with square head	pc.	0,470
245382	S/S	Stainless steel axis Form B 93 with square head	pc.	0,570
N-249973	S/S	Stainless steel tube A 73, with loose PE bushes	pc.	0,450
N-249980	S/S	Stainless steel tube A 80, with loose PE bushes	pc.	0,500

DELIVERYTERMS & CONDITIONS - DELIVERYTERMS & CONDITIONS

Terms of sales, delivery and payment of S&B Beschläge GmbH

1. General terms

For all merchandise sale are valid only our terms of sales, delivery and payment except in case of written and agreed deviations to this. In contrary terms and conditions of the buyer are excluded also if we haven't contradicted explicit to it.

2. Offers

Offer are always reserved to alteration. All measurements in our catalogue and brochures are not binding. We reserve the right of model tolerances due to technical or production reasons. An order is accepted only if the seller confirmed in written form or goods are delivered. All contracts arranged from the sellers representatives and additional agreements need a written confirmation to be effective.

3. Terms of delivery

Deliveries are executed ex works at buyer's own risk excluding packaging. Delivery dates are not binding except they are confirmed explicit from us in written form. In this case of default of delivery at sellers fault a suitable extended delivery time need to be agreed with a minimum of three weeks. If this period has expired unsuccessfully it's the buyer's right to withdraw from the contract in written form.

In case of force majeure, production interruptions or difficulties in sourcing raw material the seller has the right to withdraw from the contract. Partial deliveries are admissible. In case of delivery refusal of acceptance we refer to the §373 german HGB.

4. Terms of dispatch

The dispatch is carried out ex stock Illingheimer Str. 10 or suppliers destination on the buyers risk. Packaging is charged to manufacturing costs. Wooden boxes and recycable packaging will be credited at 2/3 of the invoiced price.

Organization and selection of forwarding agents and means of transport is executed by the seller as far as nothing in contrary is agreed with the buyer. The transport risk turn to the buyers site if the consignment is handed over to the forwarding agent.

Transport damages and other risks during transportation are only insured on customer request. The dispatch is executed according to the AdSp (Terms of german transport organization) to the buyers indicated address. The buyer is obliged to check the incoming goods according the §§ 377 and 378 HGB within the time stipulated.

5. Terms of payment

The terms of payment are if nothing in contrary is agreed: Within 8 days from invoice date or with 2% discount after 30 days net. If the due payment date is exceeded it's

the sellers right to charge an interest rate of 5% above the actual base interest rate of the european central bank.

If the buyers credit rating becomes doubtful it's the sellers right to demand immediate payment of the whole debited charged amount.

6. Warranty

The buyer is obliged to check incoming goods according to point 4). Any defects or faults need to be indicated to the seller immediately in written form. Hidden defects and faults immediate after discovery. If the seller doesn't get this indication from the buyer within the due period further claims are excluded. The warranty period is one year based on the invoice date.

In case of any claims it's the sellers right to rework or replace the products up to two times based on agreed leadtimes with the buyer. After an unsuccessful second rework or replace the buyer could withdraw from the contract.

A recourse to the supply chain is only possible if the claim existed already at the day of delivery. All further claims e.g. consequential damages or compensation charges are excluded.

7.Reservation of ownership

The seller remains ownership to the goods until complete payment receipt of the contract and has the right to take it back at any time and is to be considered as a withdrawal of the whole contract. Seizure and other interferences of third parties need to be indicated to the seller immediately in written form.

If the products are mixed up with products not belonging to the seller the finished product becomes ownership to the seller site in relation to the selling product value.

8.Venue

Place of fulfillment for deliveries and dues is our registered office Illingheimer Str. 10, 59846 Sundern, Germany.

9.Final regulation

All agreements beside these terms or any changes of contracts need to be valid the written form. If one of these clauses is invalid or partially invalid it has no influence on the effectiveness of all other conditions.

For deliveries and contracts with foreign countries we refer to the agreement of the United nations for the regulation of international contracts of sale.

10.Validation

The terms and conditons of S&B Beschläge GmbH are valid from 21st October 2002.

Numerics

1102 Rim locks	18, 38
1103 Rim dead lock	39
1104 Rim catch locks	40
1105 Rim locks double turn	41
1140-1142 rim locks mit Flansch	19
1144 rim dead locks with flange	20
1145 rim dead locks with flange	21
1503 Snapper	
- Snapper 45x53 mm	63
1510 Snapper lockable	
- Snapper 45x53 mm	64
1513 Rim snapper	
- Snapper 44x38 mm	65
1515 Press knob snapper	
- Snapper 1515	66

A

Ajar hook DIN 81319	84
Ajar hooks	
- Ajar hook DIN 81319	84
Articulated hooks	
- Articulated hooks heavy version	81
Articulated hooks heavy version	81
Ashtray for wall mounting	
- Ashtray for wallmounting aluminium anodized	129
Ashtray for wallmounting aluminium anodized	129
Attachments	
- Fixing screws for escutcheon plates	53

B

Ball catchers	
- Ball catchers 2540	81
Ball catchers 2540	81
Board holder	128
Board holder casted or stamped	
- Board holder	128
Bolts	
- Bolts cranked	72
- Flat bolts straight	73
- Pin bolts heavy version	74
Bolts cranked	72
Brass & stainless steel	8
Butterfly nuts DIN 80701 brass	104
Butterfly nuts DIN 80701 Stainless steel	104
Butterfly nuts one-sided	105
Butterfly nuts short version	105

C

Cabin hooks	83
Cabinet lock 1525/26	68
Cabinet lock flat with grip	

- Cabinet lock 1525/26	68
Cabinet rim lock 1511 with key hole	
- Cabinet rim lock 55x78 mm	69
Cabinet rim lock 1512 with profile cylinder	
- Cabinet rim lock 55x78 mm	70
Cabinet rim lock 55x78 mm	69 t/m 70
Cabinet shear	
- Cabinet shear 160 mm	91
Cabinet shear 160 mm	91
Ceiling hooks	124
Centrallocking	55
Certificate	
- DIN EN ISO 9001:2008	7
Chair fastener set	93
Cord spooler	94
Counterplate for turnbuckles casted	86
Counterplate for turnbuckles stamped	85
Coverplate 12 mm height brass	52
Coverplate 17 mm height brass	30, 53
Cup hooks brass	
- Ceiling hooks	124
- Cup hooks DIN 81408	123
Cup hooks DIN 81408	123

D

Deck hardware interior	
- Chair fastener set	93
- Cord spooler	94
- Flush pull grips	94
- Shackles straight version	95
- Ship bells	96
- Strap clamp	95
Deliveryterms & Conditions	137
- Deliveryterms & Conditions	137
DIN 315 brass	
- Wing nuts DIN 315 brass	103
DIN 444 brass	
- Eye bolts DIN 444 brass	97
DIN 444 stainless steel	
- Eye bolts DIN 444 stainless steel	98
DIN 582 brass	
- Ring nuts DIN 582 brass	100
DIN 80701 brass	
- Butterfly nuts DIN 80701 brass	104
DIN 80701 Stainless steel	
- Butterfly nuts DIN 80701 Stainless steel	104
- Butterfly nuts one-sided	105
- Butterfly nuts short version	105
DIN 80704 brass	
- Lifting nuts DIN 80704 brass	99
DIN 80704 Stainless steel	
- Lifting nuts DIN 80704 Stainless steel	99
DIN 81407 F	125
DIN 83104 Form A, Stainless steel	135
DIN 83104 Form A, steel	133

DIN 83104 Form B	133
DIN 83104 stainless steel spare parts	136
DIN 83104 steel spare parts	136
DIN 83407 Form A with lifting nut	
- Lifting nut set DIN 83407 A	101
DIN 83407 Form B with wing nut	
- Wing nut set DIN 83407 B	102
DIN 83407 Press forks Form C	
- Press forks DIN 83407 Form C	102
DIN 83407 Press forks Form D	
- Press forks DIN 83407 Form D	103
DIN EN ISO 9001	
- 2008	7
Dog assembly DIN 83104 Form A	
- DIN 83104 Form A, steel	133
Dog assembly DIN 83104 Form A, Stainless steel	
- DIN 83104 Form A, Stainless steel	135
Dog assembly DIN 83104 Form B	
- DIN 83104 Form B	133
Dog assembly DIN 83104 Form C	134
- Dog assembly DIN 83104 Form C	134
Door closer EN 1154 A	
- Door closer for fire doors EN 1154 A	80
Door closer for fire doors EN 1154 A	80
Door directions	10
- Door directions	10
Door handles for mortise locks	
- Handles for door thickness 28-71 mm	22
- Stainless steel handles for mortise locks	42
- Tubular L-Handles	43
- Tubular U-Handle	42
Door handles for rim locks	
- Handles for door thickness 28-71 mm	22
Door handles for rim locks DIN 81317 E	
- Handles for rim locks	44
Door hardware	
- Hand grip brass	96
Door hook light version	82
Door hook medium version	82
Door hooks	
- Cabin hooks	83
- Door hook light version	82
- Door hook medium version	82
Door stay 12.2065/2070	91
Door stay Stainless steel	
- Door stay 12.2065/2070	91
Door stopper 75 mm	
- Door stoppers 75 mm brass	79
Door stoppers 38 mm small version	76
Door stoppers 40 mm with spring clip	75
Door stoppers 60 mm	78
Door stoppers 60 mm DIN 81406 A	
- Door stoppers 60 mm	78
Door stoppers 70 mm with spring clip	75
Door stoppers 75 mm brass	79

Door stoppers 80 mm adjustable	77	Escutcheons round with profile cylinder hole		Hasps not lockable	117
- Door stoppers 80 mm adjustable	77	- Escutcheons Rd 51 mm	26, 49	Hasps not lockable light version	117
Door stoppers 90 mm	79	- Escutcheons Rd 51 mm invisible fixation	27	Hasps stamped	
Door stoppers 90 mm DIN 81406 A		Escutcheons with coverplate		- Hasps lockable stamped	115
- Door stoppers 90 mm	79	- Escutcheons 165x45 mm with coverplate	47	Hasps with ring grip casted version	
Door stoppers DIN 81409 A		Escutcheons with key hole with coverplate 66x33 mm .	29	- Hasps not lockable	117
- Door stoppers 40 mm with spring clip	75	Escutcheons with profile cylinder holes 66x33 mm ...	29	Hat and coat hooks	
Door stoppers DIN 81409 B		Extra price General Master Key System	56	- Hat and coat hooks 1 arm	121
- Door stoppers 70 mm with spring clip	75	Eye bolts DIN 444 brass	97	- Hat and coat hooks 2 arms	121
Door stoppers small		Eye bolts DIN 444 stainless steel	98	- Hat and coat hooks DIN 81407 A	122
- Door stoppers 38 mm small version	76	F		- Hat and coat hooks double	122
Double cylinder	57	Faceplate description		- Hat and coat hooks single	123
Double cylinder brass	58	- Faceplates	9	Hat and coat hooks 1 arm	121
E		Faceplates	9	Hat and coat hooks 2 arms	121
Ellsys®		Finger snapper		Hat and coat hooks DIN 81407 A	122
- Double cylinder safety-version	61	- Snapper 5160	66	Hat and coat hooks double	122
- Knob cylinders	61	Fixing screws for escutcheon plates	53	Hat and coat hooks single	123
Escutcheons 165x45 mm	46	- Screws & Nuts	30	Hatch fastener 3232-3234	87
- Escutcheons 165x45 mm - Blind, key hole, profile cy-		Flat bolts straight	73	Hatch fasteners	
linder hole	23	Flush pull grips	94	- Hatch fastener 3232-3234	87
Escutcheons 165x45 mm - Blind, key hole, profile cylin-		G		Hinge DIN 83105 Form C	
der hole	23	Grip snapper		- Hinge DIN 83105 Form C with long hole	131
Escutcheons 165x45 mm lavatory version	24	- Grip snapper 1520	67	Hinge DIN 83105 Form C with long hole	131
Escutcheons 165x45 mm with coverplate	47	Grip snapper 1520	67	Hinge DIN 83105 Form D	
Escutcheons 165x45 mm, lavatory version	48	Grip snapper 1523	67	- Hinge DIN 83105 Form D with round hole	132
Escutcheons 230 mm	25	Grip snapper lockable		Hinge DIN 83105 Form D with round hole	132
Escutcheons 66x33 mm	28	- Grip snapper 1523	67	Hinges 2017/2027	
Escutcheons angular		H		- Hinges stainless steel Nr. 2001/2002	109
- Escutcheons 165x45 mm	46	Half cylinders	58	- Hinges stainless steel Nr. 2017/2027	109
Escutcheons for keyholes		Half cylinders brass	59	Hinges brass DIN 81401 A	107
- Escutcheons 66x33 mm	28	Hand grip brass	96	Hinges brass DIN 81402 E	107 t/m 108
Escutcheons for keyholes with coverplate		Handle rosettes		Hinges DIN 81401 A	
- Escutcheons with key hole with coverplate 66x33		- Handle rosettes Rd 51 mm	28	- Hinges brass DIN 81401 A	107
mm	29	Handle rosettes 51 mm		Hinges DIN 81401 B	
Escutcheons for lavatory		- Round 51 mm	52	- Hinges brass DIN 81402 E	108
- Escutcheons 165x45 mm lavatory version	24	Handle rosettes Rd 51 mm	28	Hinges DIN 81402 E	
Escutcheons for lavatory Rd 51 mm	27	Handles for door thickness 28-71 mm	22	- Hinges brass DIN 81402 E	107
Escutcheons for lavatory version		Handles for rim locks	44	Hinges Nr. 110	
- Escutcheons 165x45 mm, lavatory version	48	Handrail brackets	127	- Hinges stainless steel Nr. 110	111
Escutcheons for lavatory version Rd 51 mm	50	Handrail end parts	126	Hinges Nr. 116	
Escutcheons for profile cylinder holes		Handrail middle parts	126	- Hinges stainless steel Nr. 116	114
- Escutcheons with profile cylinder holes 66x33 mm		Hasps casted		Hinges Nr. 120	
29		- Hasps lockable casted	115	- Hinges stainless steel Nr. 120	112
Escutcheons long 230 mm		- Hasps lockable light version	116	Hinges Nr. 138	
- Escutcheons 230 mm	25	- Hasps not lockable light version	117	- Hinges stainless steel Nr. 138	110
Escutcheons Rd 230 mm	45	Hasps lockable casted	115	Hinges Nr. 139	
Escutcheons Rd 51 mm	26, 49	Hasps lockable light version	116	- Hinges stainless steel Nr. 139	110
Escutcheons Rd 51 mm invisible fixation	27	Hasps lockable stamped	115	Hinges Nr. 188	
Escutcheons round for lavatory				- Hinges stainless steel Nr. 188	113
- Escutcheons for lavatory Rd 51 mm	27			Hinges Nr. 193	
Escutcheons round for lavatory version				- Hinges stainless steel Nr. 193	113
- Escutcheons for lavatory version Rd 51 mm	50			Hinges stainless steel Nr. 110	111
Escutcheons round with key hole				Hinges stainless steel Nr. 116	114
- Escutcheons Rd 51 mm	26, 49			Hinges stainless steel Nr. 120	112

- Ventilating valves 2703 118

Ventilating valves round

- Round valves 2721-2725 119

- Ventilating counter plates 2771-2775 120

W

Window & sidelight holders

- Light shade holder DIN 81643 Form C with chain ..
90

- Light shade holder with S hooks 90

- Window and sidelight holder casted 89

- Window and sidelight holder stamped 88

- Window and sidelight T-piece 89

Window and sidelight holder casted 89

Window and sidelight holder stamped 88

Window and sidelight T-piece 89

Window fastener curved version 87

Window fastener straight version with counter plate 88

Window fasteners

- Window fastener curved version 87

- Window fastener straight version with counter plate
..... 88

Wine glass holder 0,8 mm 125

Wine glass holder stainless steel

- Wine glass holder 0,8 mm 125

Wing nut set DIN 83407 B 102

Wing nuts DIN 315 brass 103

Art. no.	Page no.	Art. no.	Page no.	Art. no.	Page no.
100031.4	13	101631.6	14	12.2067.0	91
100031.6	13	101631.9	14	12.2068.0	91
100031.9	13	101632.4	14	12.2069.0	91
100032.4	13	101632.6	14	12.2070.0	91
100032.6	13	101632.9	14	150370.4	63
100032.9	13	105630.4	17	150370.6	63
100131.4	11	105630.6	17	150370.9	63
100131.6	11	105630.9	17	151070.4	64
100131.9	11	110201.4	18	151070.6	64
100132.4	11	110201.6	18	151070.9	64
100132.6	11	110201.9	18	151161.4	69
100132.9	11	110202.4	18	151161.6	69
100231.4	12	110202.6	18	151161.9	69
100231.6	12	110202.9	18	151162.4	69
100231.9	12	114001.4	19	151162.6	69
100232.4	12	114001.6	19	151162.9	69
100232.6	12	114001.9	19	151163.4	69
100232.9	12	114002.4	19	151163.6	69
100631.4	14	114002.6	19	151163.9	69
100631.6	14	114002.9	19	151261.4	70
100631.9	14	114101.4	19	151261.6	70
100632.4	14	114101.6	19	151261.9	70
100632.6	14	114101.9	19	151262.4	70
100632.9	14	114102.4	19	151262.6	70
100930.4	17	114102.6	19	151262.9	70
100930.6	17	114102.9	19	151263.4	70
100930.9	17	114201.4	19	151263.6	70
101031.4	13	114201.6	19	151263.9	70
101031.6	13	114201.9	19	151370.4	65
101031.9	13	114202.4	19	151370.6	65
101032.4	13	114202.6	19	151370.9	65
101032.6	13	114202.9	19	151570.4	66
101032.9	13	114401.4	20	151570.6	66
101131.4	11	114401.6	20	151570.9	66
101131.6	11	114401.9	20	151571.4	66
101131.9	11	114402.4	20	151571.6	66
101132.4	11	114402.6	20	151571.9	66
101132.6	11	114402.9	20	152000.9	67
101132.9	11	114501.4	21	152300.9	67
101231.4	12	114501.6	21	152500.0	68
101231.6	12	114501.9	21	152600.0	68
101231.9	12	114502.4	21	171009.4	22
101232.4	12	114502.6	21	171009.6	22
101232.6	12	114502.9	21	171009.9	22
101232.9	12	12.2065.0	91	171096.4	22
101631.4	14	12.2066.0	91	171096.6	22

ARTICLE INDEX

Art. no.	Page no.	Art. no.	Page no.	Art. no.	Page no.
171096.9	22	188012.4	24	192501.9	28
171139.4	22	188012.6	24	192502.4	29
171139.6	22	188012.9	24	192502.6	29
171139.9	22	190001.4	27	192502.9	29
171169.4	22	190001.6	27	200969.4	17
171169.6	22	190001.9	27	200969.6	17
171169.9	22	190002.4	27	200969.9	17
180001.4	25	190002.6	27	209945.4	30
180001.6	25	190002.9	27	209945.6	30
180001.9	25	190011.4	27	209945.9	30
180002.4	25	190011.6	27	209966.4	30
180002.6	25	190011.9	27	209966.6	30
180002.9	25	190012.4	27	209966.9	30
180101.4	25	190012.6	27	209975.4	30
180101.6	25	190012.9	27	209975.6	30
180101.9	25	190200.4	26	209975.9	30
180200.4	25	190200.6	26	220031.4	15
180200.6	25	190200.9	26	220031.6	15
180200.9	25	190210.4	26	220031.9	15
180202.4	25	190210.6	26	220031F.4	15
180202.6	25	190210.9	26	220031F.6	15
180202.9	25	190300.4	28	220031F.9	15
180300.4	25	190300.6	28	220032.4	15
180300.6	25	190300.9	28	220032.6	15
180300.9	25	190310.4	28	220032.9	15
183010.4	23	190310.6	28	220032F.4	15
183010.6	23	190310.9	28	220032F.6	15
183010.9	23	190401.4	26	220032F.9	15
183011.4	23	190401.6	26	220430.4	20
183011.6	23	190401.9	26	220430.6	20
183011.9	23	190402.4	26	220430.9	20,21
183012.4	23	190402.6	26	220830.4	17
183012.6	23	190402.9	26	220830.6	17
183012.9	23	190410.4	26	220830.9	17
183511.4	24	190410.6	26	222400.4	20
183511.6	24	190410.9	26	222400.6	20
183511.9	24	190600.6	27	222400.9	20,21
183512.4	24	190600.9	27	225603.4	17
183512.6	24	190700.4	26	225603.6	17
183512.9	24	190700.6	26	225603.9	17
183598.4	30	190700.9	26	228008.9	63,64,65
183598.6	30	192401.4	29	228110.4	69,70
183598.9	30	192401.6	29	228110.6	69,70
188011.4	24	192401.9	29	228110.9	63,64,65,66,67,69,70
188011.6	24	192501.4	28	229000.0	68
188011.9	24	192501.6	28	229100.0	68



Art. no.	Page no.	Art. no.	Page no.	Art. no.	Page no.
230011.4	107	240326	133	243002.4	73
230012.4	107	240381	136	243002.6	73
230021.4	107	240382	136	243002.9	73
230022.4	107	240413	133	243003.4	73
230031.4	107	240413.4	133	243003.6	73
230032.4	107	240512	134	243003.9	73
230041.4	107	240516	134	243004.4	73
230042.4	107	240581	136	243004.6	73
230051.4	107	240582	136	243004.9	73
230052.4	107	242001.0	74	243010.4	72,73
231410.4	107	242001.4	74	243010.6	72,73
231420.4	107	242001.6	74	243010.9	72,73
231430.4	107	242001.9	74	243020.4	72,73
231450.4	107	242002.0	74	243020.6	72,73
231460.4	107	242002.4	74	243020.9	72,73
231470.4	107	242002.6	74	243102.4	72
232210.4	108	242002.9	74	243102.6	72
232230.4	108	242051.0	74	243102.9	72
232240.4	108	242051.4	74	243103.4	72
232250.4	108	242051.6	74	243103.6	72
232310.4	108	242051.9	74	243103.9	72
232330.4	108	242052.0	74	243104.4	72
232340.4	108	242052.4	74	243104.6	72
232350.4	108	242052.6	74	243104.9	72
2383105-C	131	242052.9	74	245090.0	136
2383105-D	132	242103.4	71	245090.4	136
240002	133	242103.6	71	245092.0	136
240006	133	242103.9	71	245092.4	136
240012	133	242104.4	71	245381	136
240016	133	242104.6	71	245382	136
240022	133	242104.9	71	249500	136
240026	133	242105.4	71	249600	136
240036	133	242105.6	71	249600.0	136
240090.1	136	242105.9	71	249700	136
240091.1	136	242106.4	71	249800	136
240092.1	136	242106.6	71	249802	136
240093.1	136	242106.9	71	249803	136
240211	135	242111.4	71	249804	136
240211.4	135	242111.6	71	249973	136
240213	135	242111.9	71	249974	136
240213.4	135	242114.4	71	249986	136
240220	135	242114.6	71	249987	136
240220.4	135	242114.9	71	249989	136
240312	133	242116.4	71	250001.4	84
240316	133	242116.6	71	250001.6	84
240322	133	242116.9	71	250001.9	84

ARTICLE INDEX

Art. no.	Page no.
250021.4	84
250021.6	84
250021.9	84
251101.4	77
251101.6	77
251101.9	77
251201.4	78
251201.6	78
251201.9	78
251290.4	77,78,79
251290.6	77,78,79
251290.9	77,78,79
251300.4	76
251300.6	76
251300.9	76
251401.4	79
251401.6	79
251401.9	79
251501.4	79
251501.6	79
251501.9	79
253001.4	76
253001.6	76
253001.9	76
253002.4	76
253002.6	76
253002.9	76
253101.4	75
253101.6	75
253101.9	75
253199.4	75
253199.6	75
253199.9	75
253301.4	75
253301.6	75
253301.9	75
254001.1	81
254002.1	81
254003.1	81
254004.1	81
255101.4	81
255102.4	81
255103.4	81
255104.4	81
255105.4	81
255106.4	81

Art. no.	Page no.
255303.4	82
255304.4	82
255305.4	82
255306.4	82
255307.4	82
255350.4	81,82
255501.4	82
255502.4	82
255503.4	82
255504.4	82
255505.4	82
255506.4	82
255550.4	82
255601.1	83
255602.1	83
255603.1	83
255604.1	83
255605.1	83
255606.1	83
255607.1	83
255608.1	83
255609.1	83
255696.1	83
255697.1	83
255698.1	83
255699.1	83
270300.4	118
270300.6	118
270300.9	118
272102.4	119
272102.6	119
272102.9	119
272202.4	119
272202.6	119
272202.9	119
272302.4	119
272302.6	119
272302.9	119
272402.4	119
272402.6	119
272402.9	119
272502.4	119
272502.6	119
272502.9	119
275300.4	118
275300.6	118

Art. no.	Page no.
275300.9	118
277100.4	120
277100.6	120
277100.9	120
277200.4	120
277200.6	120
277200.9	120
277300.4	120
277300.6	120
277300.9	120
277400.4	120
277400.6	120
277400.9	120
277500.4	120
277500.6	120
277500.9	120
320100.4	87
320100.6	87
320100.9	87
323200.4	87
323200.5	87
323200.6	87
323200.8	87
323200.9	87
323300.4	87
323300.5	87
323300.6	87
323300.8	87
323300.9	87
323400.4	87
323400.5	87
323400.6	87
323400.8	87
323400.9	87
325000.1	88
325000.3	88
325000.4	88
325000.6	88
325000.9	88
330100.4	88
330100.6	88
330100.9	88
330200.4	89
330200.6	89
330200.9	89
332000.4	90



Art. no.	Page no.
332000.6	90
332000.9	90
332200.4	90
332200.6	90
332200.9	90
333100.4	89
333100.6	89
333100.9	89
333150.4	89
333150.6	89
333150.9	89
333200.4	89
333200.6	89
333200.9	89
410020.4	94
410020.6	94
410020.9	94
410035.4	94
410035.6	94
410035.9	94
410040.4	94
410040.6	94
410040.9	94
410050.4	94
410050.6	94
410050.9	94
414610.3	93
414610.9	93
414620.3	93
414620.9	93
414635.9	93
41DC10-S-MS	58
41DC10-S-NI	57
41DC11-S-MS	58
41DC11-S-NI	57
41DC12-S-MS	58
41DC12-S-NI	57
41DC13-S-MS	58
41DC13-S-NI	57
41DC14-S-MS	58
41DC14-S-NI	57
41DC15-S-MS	58
41DC15-S-NI	57
41DC16-S-MS	58
41DC16-S-NI	57
41DC17-S-MS	58

Art. no.	Page no.
41DC17-S-NI	57
41DC18-S-MS	58
41DC18-S-NI	57
41DC19-S-MS	58
41DC19-S-NI	57
41DC1-S-MS	58
41DC1-S-NI	57
41DC20-S-MS	58
41DC20-S-NI	57
41DC21-S-MS	58
41DC21-S-NI	57
41DC22-S-MS	58
41DC22-S-NI	57
41DC23-S-MS	58
41DC23-S-NI	57
41DC24-S-MS	58
41DC24-S-NI	57
41DC25-S-MS	58
41DC25-S-NI	57
41DC26-S-MS	58
41DC26-S-NI	57
41DC27-S-MS	58
41DC27-S-NI	57
41DC2-S-MS	58
41DC2-S-NI	57
41DC3-S-MS	58
41DC3-S-NI	57
41DC4-S-MS	58
41DC4-S-NI	57
41DC5-S-MS	58
41DC5-S-NI	57
41DC6-S-MS	58
41DC6-S-NI	57
41DC7-S-MS	58
41DC7-S-NI	57
41DC8-S-MS	58
41DC8-S-NI	57
41DC9-S-MS	58
41DC9-S-NI	57
41HC0-S-MS	59
41HC1-S-MS	59
41HC1-S-NI	58
41HC2-S-MS	59
41HC2-S-NI	58
41HC3-S-MS	59
41HC3-S-NI	58

Art. no.	Page no.
41HC4-S-MS	59
41HC4-S-NI	58
41HC5-S-MS	59
41HC5-S-NI	58
41HC6-S-MS	59
41HC6-S-NI	58
41HC7-S-MS	59
41HC7-S-NI	58
41HC8-S-MS	59
41HC8-S-NI	58
41HC9-S-MS	59
41HC9-S-NI	58
41KC10-S-MS	60
41KC10-S-NI	59
41KC11-S-MS	60
41KC11-S-NI	59
41KC12-S-MS	60
41KC12-S-NI	59
41KC13-S-MS	60
41KC13-S-NI	59
41KC14-S-MS	60
41KC14-S-NI	59
41KC15-S-MS	60
41KC15-S-NI	59
41KC16-S-MS	60
41KC16-S-NI	59
41KC17-S-MS	60
41KC17-S-NI	59
41KC18-S-MS	60
41KC18-S-NI	59
41KC19-S-MS	60
41KC19-S-NI	59
41KC1-S-MS	60
41KC1-S-NI	59
41KC20-S-MS	60
41KC20-S-NI	59
41KC2-S-MS	60
41KC2-S-NI	59
41KC3-S-MS	60
41KC3-S-NI	59
41KC4-S-MS	60
41KC4-S-NI	59
41KC5-S-MS	60
41KC5-S-NI	59
41KC6-S-MS	60
41KC6-S-NI	59

ARTICLE INDEX

Art. no.	Page no.	Art. no.	Page no.	Art. no.	Page no.
41KC7-S-MS	60	51KC1-EMP	61	572090.4	115
41KC7-S-NI	59	520160.4	91	572090.6	115
41KC8-S-MS	60	520160.6	91	572090.9	115
41KC8-S-NI	59	520160.9	91	572120.4	115
41KC9-S-MS	60	532010.4	128	572120.6	115
41KC9-S-NI	59	532010.6	128	572120.9	115
420120.4	96	532010.9	128	574100.1	117
420170.4	96	532108.4	128	574100.3	117
420200.4	96	532108.6	128	574100.4	117
421080.4	96	532108.9	128	574100.6	117
421120.4	96	532112.4	128	574100.9	117
421170.4	96	532112.6	128	576000.1	117
42-S	60	532112.9	128	576000.3	117
42-S-G	60	532116.4	128	576000.4	117
42-S-HS	60	532116.6	128	576000.6	117
434040.1	95	532116.9	128	576000.9	117
434050.1	95	537075.0	125	577000.1	116
434060.1	95	561000.4	84	577000.3	116
434075.1	94	561000.6	84	577000.4	116
434080.1	94	561000.9	84	577000.6	116
434090.1	94	561010.4	85	577000.9	116
434100.1	94	561010.6	85	577100.1	116
434110.1	94	561010.9	85	577100.3	116
434130.1	94	561015.4	85	577100.4	116
435010.1	95	561015.6	85	577100.6	116
435020.1	95	561015.9	85	577100.9	116
435025.1	95	561020.4	85	577200.1	116
435030.1	95	561020.6	85	577200.3	116
435035.1	95	561020.9	85	577200.4	116
435040.1	95	561025.4	85	577200.6	116
435045.1	95	561025.6	85	577200.9	116
460230.1	95	561025.9	85	580100.4	127
460240.1	95	561030.4	85	580100.6	127
460250.1	95	561030.6	85	580100.9	127
460260.1	95	561030.9	85	580110.4	127
460270.1	95	565500.4	85	580110.6	127
460280.1	95	565500.6	85	580110.9	127
512110.4	96	565500.9	85	580200.4	126
512110.6	96	565600.1	86	580200.6	126
512110.9	96	565600.3	86	580200.9	126
512140.4	96	565600.4	86	580300.4	126
512140.6	96	565600.6	86	580300.6	126
512140.9	96	565600.9	86	580300.9	126
516000.1	66	570200.4	115	590000.4	121
516000.3	66	570200.6	115	590000.6	121
51DKC1-EMP	61	570200.9	115	590000.9	121

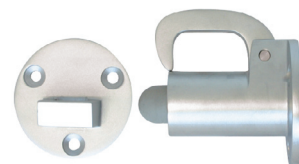
Art. no.	Page no.	Art. no.	Page no.	Art. no.	Page no.
590100.4	121	A1-16160	97	KN-124.1	105
590100.6	121	A1-20110	97	KN-216.1	104
590100.9	121	A1-20120	97	KN-220.1	104
590200.4	122	A1-20130	97	KN-224.1	104
590200.6	122	A1-20140	97	KN-612.1	105
590200.9	122	A1-20150	97	KN-616.1	105
590600.4	122	A1-20160	97	KN-620.1	105
590600.6	122	A1-20180	97	KNV-12080	102
590600.9	122	A1-20200	97	KNV-16070	102
590700.4	123	A1-22140	97	KNV-16110	102
590700.6	123	A1-22160	97	KNV-20130	102
590700.9	123	A1-24130	97	KO-106.1	99
591025.4	123	Bm	8	KO-108.1	99
591025.6	123	Bmc	8	KO-110.1	99
591025.9	123	Bmn	8	KO-112.1	99
592000.4	124	Bp	8	KO-114.1	99
592000.6	124	Bpc	8	KO-116.1	99
592000.9	124	Bpn	8	KO-120.1	99
594000.4	125	Brp	8	KO-122.1	99
594000.6	125	Brpc	8	KO-124.1	99
594000.9	125	Brpn	8	KOV-12080	101
600150.0	129	DGL-M12.0	102	KOV-16070	101
A1-06040	97	DGL-M16.0	102	KOV-16110	101
A1-06050	97	DGL-M20.0	102	KOV-20130	101
A1-08060	97	DGQ-M12.0	103	N-100231	31
A1-08070	97	DGQ-M16.0	103	N-100231.4	31
A1-08080	97	DGQ-M20.0	103	N-100232	31
A1-08090	97	F1-M04.1	103	N-100232.4	31
A1-08100	97	F1-M05.1	103	N-100251	32
A1-10060	97	F1-M06.1	103	N-100252	32
A1-10070	97	F1-M08.1	103	N-100631	34
A1-10080	97	F1-M10.1	103	N-100632	34
A1-10100	97	F1-M12.1	103	N-100651	32
A1-10120	97	F1-M16.1	103	N-100652	32
A1-12060	97	F1-M20.1	103	N-100731	33
A1-12080	97	F1-M22.1	103	N-100732	33
A1-12090	97	GM-0001.0	51	N-101231	31
A1-12100	97	GM-0002.0	51	N-101231.4	31
A1-12110	97	H-7545.1	124	N-10123172	36
A1-12120	97	H-7545.3	124	N-10123172.4	36
A1-16070	97	H-7563.1	124	N-101232	31
A1-16080	97	H-7563.3	124	N-101232.4	31
A1-16100	97	KN-108.1	105	N-10123272	36
A1-16110	97	KN-110.1	105	N-10123272.4	36
A1-16120	97	KN-112.1	105	N-101631	34
A1-16130	97	KN-116.1	105	N-101631.4	34
A1-16140	97	KN-120.1	105	N-10163172	36
		KN-122.1	105		

ARTICLE INDEX

Art. no.	Page no.	Art. no.	Page no.	Art. no.	Page no.
N-10163172.4	36	N-171809.4	43	N-183517.9	46
N-101632	34	N-171809.9	43	N-183518.0	47
N-101632.4	34	N-180001.0	45	N-183518.4	47
N-10163272	36	N-180001.4	45	N-183518.9	47
N-10163272.4	36	N-180001.9	45	N-183519.0	47
N-101731	33	N-180002.0	45	N-183519.4	47
N-101731.4	33	N-180002.4	45	N-183519.9	47
N-10173178	36	N-180002.9	45	N-183598.0	53
N-10173178.4	36	N-180101.0	45	N-183598.4	53
N-101732	33	N-180101.4	45	N-183598.9	53
N-101732.4	33	N-180101.9	45	N-183599.0	52
N-10173278	36	N-180200.0	45	N-183599.4	52
N-10173278.4	36	N-180200.4	45	N-183599.9	52
N-105030	35	N-180200.9	45	N-188511.0	48
N-105030.4	35	N-180202.0	45	N-188511.4	48
N-110201	38	N-180202.4	45	N-188511.9	48
N-110202	38	N-180202.9	45	N-188512.0	48
N-110203	38	N-180209.0	43	N-188512.4	48
N-110204	38	N-180209.4	43	N-188512.9	48
N-110301	39	N-180209.9	43	N-188611.0	48
N-110302	39	N-180300.0	45	N-188611.4	48
N-110401	40	N-180300.4	45	N-188611.9	48
N-110402	40	N-180300.9	45	N-188612.0	48
N-110403	40	N-181500.0	42,43	N-188612.4	48
N-110404	40	N-181500.4	43	N-188612.9	48
N-110501	41	N-181500.9	43	N-190001.0	50
N-110502	41	N-181600.0	43	N-190001.4	50
N-171096.0	42	N-181600.4	43	N-190001.9	50
N-171096.4	42	N-181600.9	43	N-190002.0	50
N-171096.9	42	N-183510.0	46	N-190002.4	50
N-171099.0	42	N-183510.4	46	N-190002.9	50
N-171099.4	42	N-183510.9	46	N-190011.0	50
N-171099.9	42	N-183511.0	46	N-190011.4	50
N-171139.0	44	N-183511.4	46	N-190011.9	50
N-171139.4	44	N-183511.9	46	N-190012.0	50
N-171139.9	44	N-183512.0	46	N-190012.4	50
N-171149.0	44	N-183512.4	46	N-190012.9	50
N-171149.4	44	N-183512.9	46	N-190200.0	49
N-171149.9	44	N-183513.0	46	N-190200.4	49
N-171169.0	44	N-183513.4	46	N-190200.9	49
N-171169.4	44	N-183513.9	46	N-190210.0	49
N-171169.9	44	N-183514.0	46	N-190210.4	50
N-171509.0	42	N-183514.4	46	N-190210.9	50
N-171509.4	42	N-183514.9	46	N-190300.0	52
N-171509.9	42	N-183517.0	46	N-190300.4	52
N-171809.0	43	N-183517.4	46	N-190300.9	52

Art. no.	Page no.	Art. no.	Page no.	Art. no.	Page no.
N-190310.0	52	N-230114-R.0	112	N-A1-10100	98
N-190310.4	52	N-230115-L.0	112	N-A1-12100	98
N-190310.9	52	N-230115-R.0	112	N-A1-16070	98
N-190401.0	49	N-230116-L.0	112	N-A1-16100	98
N-190401.4	49	N-230116-R.0	112	N-A1-16110	98
N-190401.9	49	N-230117-L.0	112	N-A1-16150	98
N-190402.0	49	N-230117-R.0	112	N-A1-16160	98
N-190402.4	49	N-230118-L.0	112	N-A1-20130	98
N-190402.9	49	N-230118-R.0	112	N-A2-12080	98
N-190410.0	49	N-230119-L.0	112	N-A2-16110	98
N-190410.4	49	N-230119-R.0	112	N-A2-20130	98
N-190410.9	49	N-230190-L.0	110	N-KN-216.0	104
N-190600.0	50	N-230190-R.0	110	N-KN-220.0	104
N-190600.4	50	N-230191-L.0	111	N-KNV-16070	102
N-190600.9	50	N-230191-R.0	110	N-KNV-16110	102
N-209045.0	53	N-230192-L.0	111	N-KNV-20130	102
N-209045.4	53	N-230192-R.0	111	N-KO-108.0	99
N-209045.9	53	N-230193-L.0	111	N-KO-110.0	99
N-209070.0	53	N-230193-R.0	111	N-KO-112.0	99
N-209070.4	53	N-230312.0	113	N-KO-116.0	99
N-209070.9	53	N-230837.0	113	N-KO-120.0	99
N-209999.0	53	N-230841-L.0	110	N-KOV-12080	101
N-209999.4	53	N-230841-R.0	110	N-KOV-16070	101
N-209999.9	53	N-231012-L.0	110	N-KOV-16110	101
N-220031.0	37	N-231012-R.0	110	N-KOV-20130	101
N-220031.4	37	N-232001.0	109	OTS-8014.0	80
N-220031.9	37	N-232002.0	109	OTS-9006.0	80
N-220031F.0	37	N-232017.0	109	OTS-9016.0	80
N-220031F.4	37	N-232018.0	109	R2-M12.1	100
N-220031F.9	37	N-232027.0	109	R2-M12.3	100
N-220032.0	37	N-249973	136	R2-M16.1	100
N-220032.4	37	N-249980	136	R2-M16.3	100
N-220032.9	37	N-251201.0	78	R2-M20.1	100
N-220032F.0	37	N-251201.4	78	R2-M20.3	100
N-220032F.4	37	N-251201.9	78	S/S brushed	8
N-220032F.9	37	N-251290.0	78,79	S/S matt	8
N-230067.0	111	N-251290.4	78,79	S/S pol	8
N-230068.0	111	N-251290.9	78,79	S/S raw	8
N-230069.0	111	N-251501.0	79		
N-230070.0	111	N-251501.4	79		
N-230071.0	111	N-251501.9	79		
N-230072.0	111	N-253101.4	75		
N-230073.0	111	N-253101.9	75		
N-230074.0	111	N-253301.4	75		
N-230095.0	114	N-253301.9	75		
N-230114-L.0	112	N-A1-10060	98		





S & B Beschlage GmbH
Quality ship locks and hardware solutions

Illingheimer Str. 10
D-59846 Sundern

Phone +49 23 93 22 00-0
Fax +49 23 93 10 74

Internet: www.sub-beschlaege.de
e-mail: info@sub-beschlaege.de