



Safe and Sound



GEPA - FIBERGLASS INDUSTRY & TRADE CO. INC.

Tersane Yolu, Yan Sanayi Bölgesi, No:12 Aydıntepe (P.O.BOX 7) Tuzla 34947 Istanbul TURKEY
Phone: +90 216 392 93 96 Fax: +90 216 392 20 64
e-mail: info@gepafiberglass.com Web Page: www.gepafiberglass.com



Open-Partially & Totally Enclosed - Freefall

LIFEBOATS

Slow speed & Fast

RESCUE



BOATS

BOXES & CABINETS

for Lifebuoys, Lifejackets, Batteries, Breathing Apparatuses,
Foam Applicators
& Fire Hoses



WET UNITS

for Ships & Offshore Installations



HOOK RELEASE DEVICES



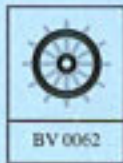
GEPA - FIBERGLASS INDUSTRY & TRADE CO. INC.

Tersane Yolu, Yan Sanayi Bölgesi, No:12 Aydıntepe (P.O.BOX 7) Tuzla 34947 Istanbul TURKEY

Phone: +90 216 392 93 96 Fax: +90 216 392 20 64

e-mail: info@gepafiberglass.com Web Page: www.gepafiberglass.com

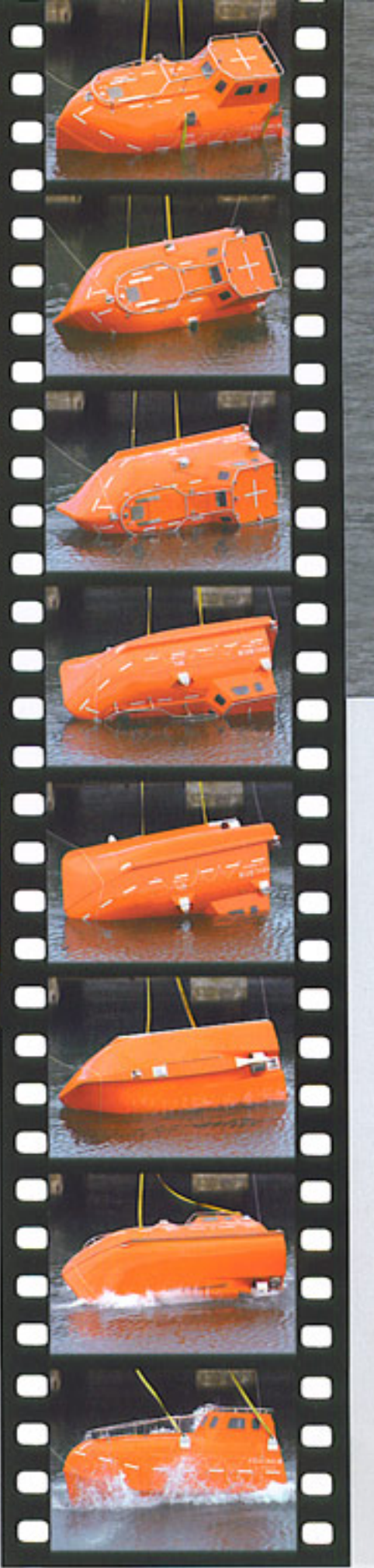
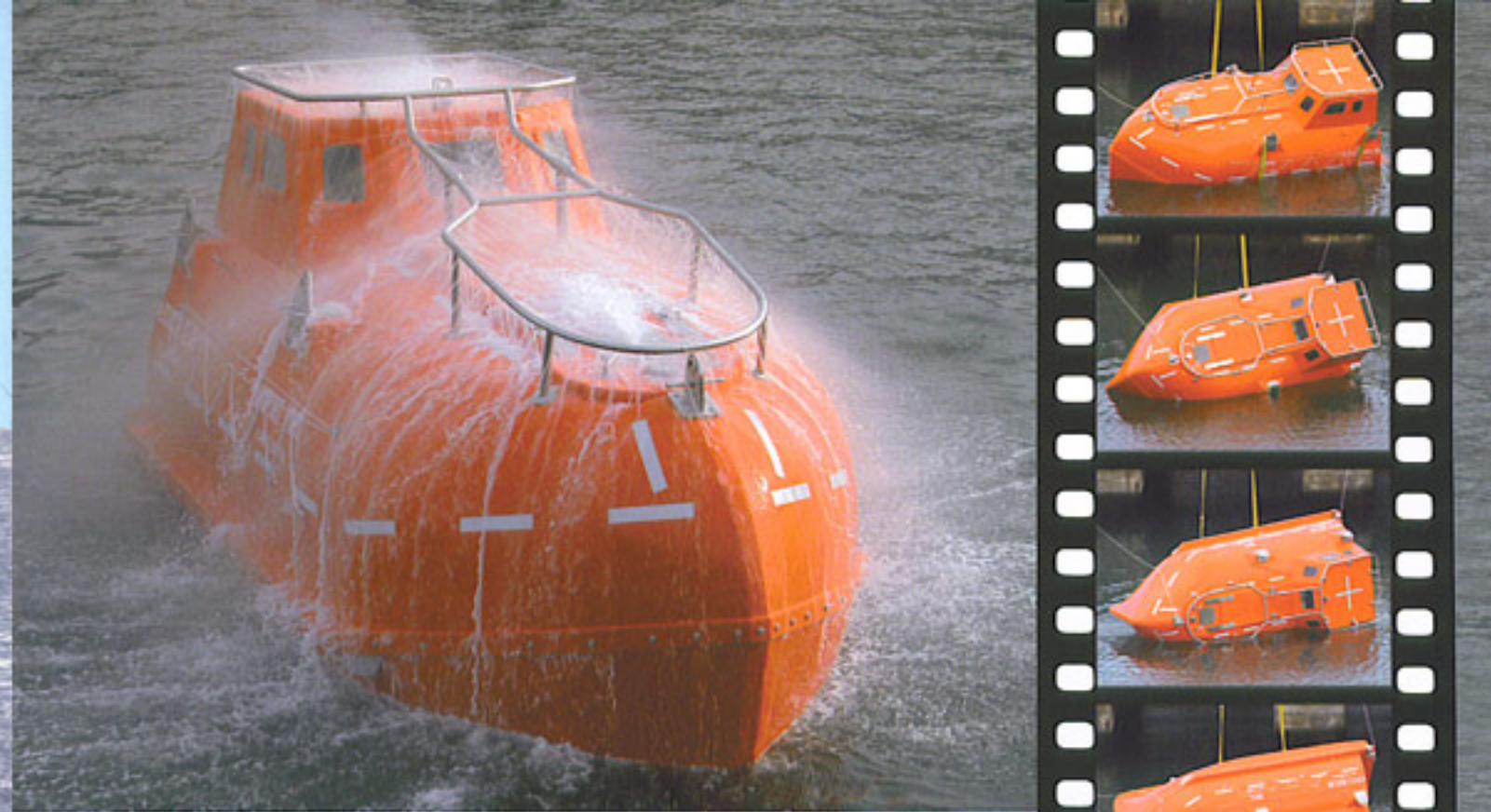
FREEFALL LIFEBOATS



GEPA GRP FREEFALL LIFEBOATS are designed, constructed and tested according to the latest regulations and standards of "SOLAS" and "IMO".



- Stainless steel equipment
- Stainless steel steering system and nozzle rudder
- Main and emergency release with two hydraulic pumps are totally independent of each other
- Closed circuit, fresh water, keel cooled, electrical start marine diesel engine
- Stainless steel shaft, brass stern tube and manganese bronze propeller



Type	Capacity Persons	Dimensions L x B x H (m)	Weight (Kg)	
			Fully Equipped	With Persons
G-FFF3-FP	12	4,93 x 2,24 x 2,89	2560	3460
G-FFF3	12	4,93 x 2,24 x 2,89	2240	3140
G-FFF2-FP	19	5,60 x 2,62 x 3,05	3565	4990
G-FFF2	20	5,60 x 2,62 x 3,05	3235	4735
G-FFF1-FP	25	6,89 x 2,89 x 3,14	4070	5945
G-FFF1	27	6,89 x 2,89 x 3,14	3740	5765



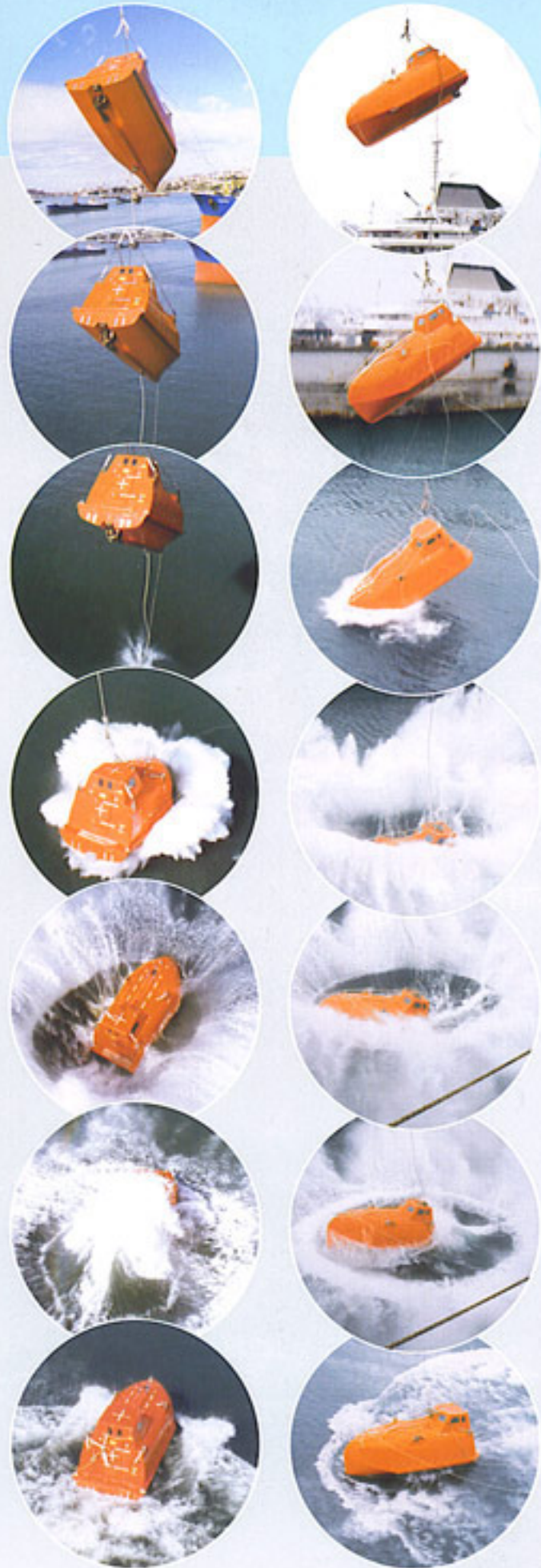
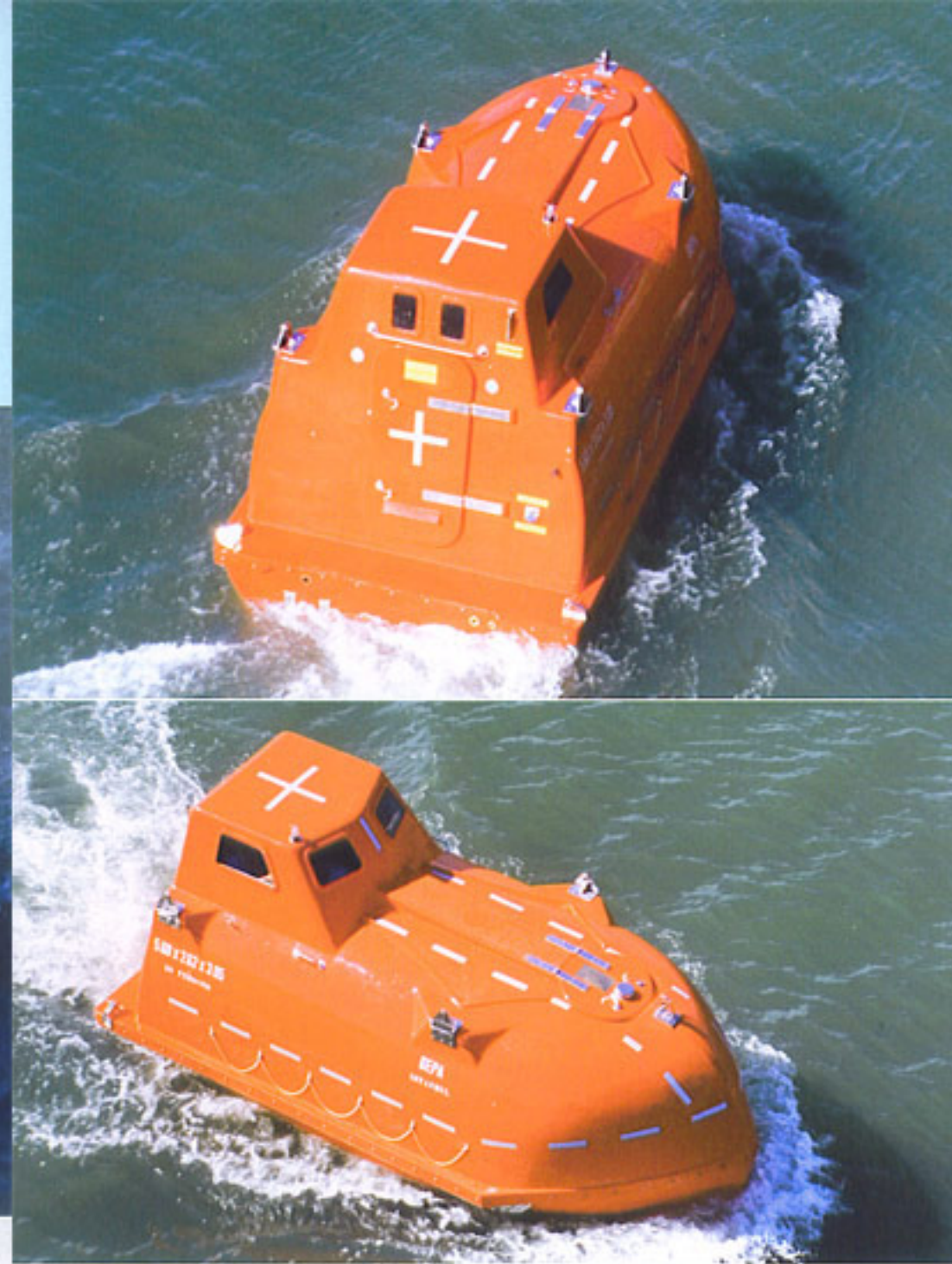
GEPA - FIBERGLASS INDUSTRY & TRADE CO. INC.

Tersane Yolu, Yan Sanayi Bölgesi, No:12 Aydıntepe (P.O.BOX 7) Tuzla 34947 Istanbul TURKEY
 Phone: +90 216 392 93 96 Fax: +90 216 392 20 64
 e-mail: info@gepafiberglass.com Web Page: www.gepafiberglass.com

FREEFALL LIFEBOATS



GEPA GRP FREEFALL LIFEBOATS are designed, constructed and tested according to the latest regulations and standards of "SOLAS" and "IMO".



- **Stainless steel equipment**
- **Stainless steel steering system and nozzle rudder**
- **Main and emergency release with two hydraulic pumps are totally independent of each other**
- **Closed circuit, fresh water, keel cooled, electrical start marine diesel engine**
- **Stainless steel shaft, brass stern tube and manganese bronze propeller**



Type	Capacity Persons	Dimensions L x B x H (m)	Weight (Kg)	
			Fully Equipped	With Persons
G-FFF3-FP	12	4,93 x 2,24 x 2,89	2560	3460
G-FFF3	12	4,93 x 2,24 x 2,89	2240	3140
G-FFF2-FP	19	5,60 x 2,62 x 3,05	3565	4990
G-FFF2	20	5,60 x 2,62 x 3,05	3235	4735
G-FFF1-FP	25	6,89 x 2,89 x 3,14	4070	5945
G-FFF1	27	6,89 x 2,89 x 3,14	3740	5765



GEPA - FIBERGLASS INDUSTRY & TRADE CO. INC.

Tersane Yolu, Yan Sanayi Bölgesi, No:12 Aydıntepe (P.O.BOX 7) Tuzla 34947 Istanbul TURKEY

Phone: +90 216 392 93 96 Fax: +90 216 392 20 64

e-mail: info@gepafiberglass.com Web Page: www.gepafiberglass.com



- FREEFALL LIFEBOATS
- LAUNCHING RAMPS
- RESCUE BOATS
- HOOK RELEASE DEVICES
- RESCUE BOATS CRANES



GEPA - FIBERGLASS INDUSTRY & TRADE CO. INC.

Tersane Yolu, Yan Sanayi Bölgesi, No:12 Aydıntepe (P.O.BOX 7) Tuzla 34947 Istanbul TURKEY

Phone: +90 216 392 93 96 Fax: +90 216 392 20 64

e-mail: info@gepafiberglass.com Web Page: www.gepafiberglass.com



- FREEFALL LIFEBOATS
- LAUNCHING RAMPS
- RESCUE BOATS
- HOOK RELEASE DEVICES
- RESCUE BOATS CRANES



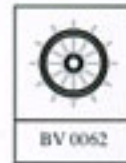
GEPA - FIBERGLASS INDUSTRY & TRADE CO. INC.

Tersane Yolu, Yan Sanayi Bölgesi, No:12 Aydıntepe (P.O.BOX 7) Tuzla 34947 Istanbul TURKEY

Phone: +90 216 392 93 96 Fax: +90 216 392 20 64

e-mail: info@gepafiberglass.com Web Page: www.gepafiberglass.com

TOTALLY ENCLOSED LIFEBOATS



GEPA GRP TOTALLY ENCLOSED LIFEBOATS are designed, constructed and tested according to the latest regulations and standards of "SOLAS" and "IMO".



Stainless steel equipment

Stainless steel steering system and nozzle rudder

TOR ON LOAD automatic and hydrostatic hooks with simultaneous release

Closed circuit, fresh water, keel cooled, electrical start marine diesel engine

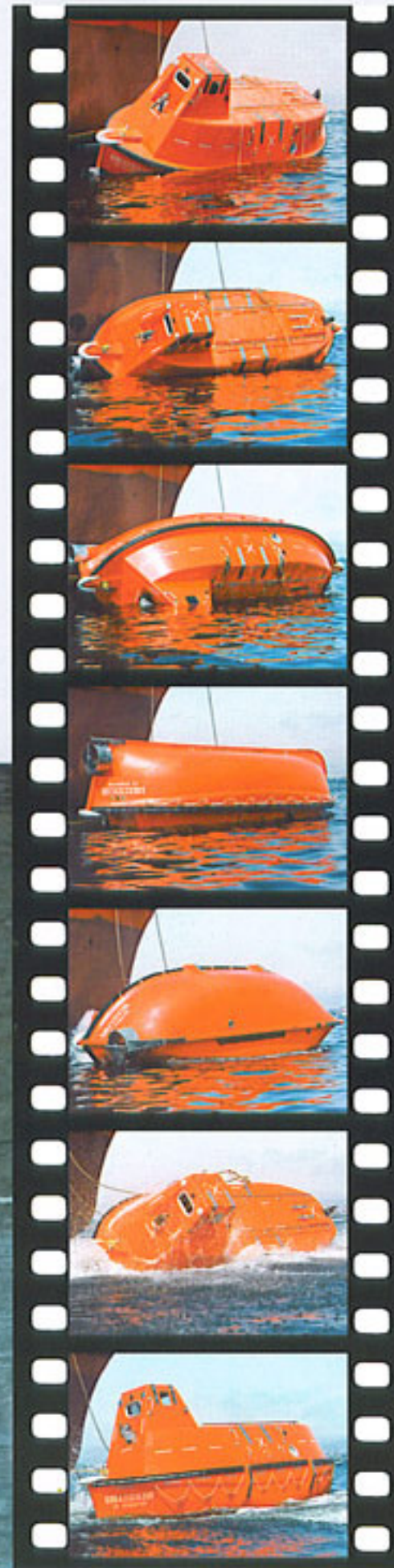
Stainless steel shaft, brass stern tube and manganese bronze propeller

The Lifeboat can also be used as a Rescue Boat



TOTALLY ENCLOSED LIFEBOATS

Type	Capacity Persons	Dimensions L x B x D (m)	Height (m)	Length Between Hooks (m)	Weight (Kg)	
					Fully Equipped	With Persons
G-F6K-FP	18	6,08 x 2,19 x 0,98	2,60	4,25	2810	4160
G-F6K	19	6,08 x 2,19 x 0,98	2,60	4,25	2480	3905
G-F4K-FP	27	6,58 x 2,40 x 1,03	2,65	4,75	3210	5235
G-F4K	29	6,58 x 2,40 x 1,03	2,65	4,75	2880	5055
G-F3K-FP	35	7,58 x 2,40 x 1,03	2,65	5,75	3390	6015
G-F3K	37	7,58 x 2,40 x 1,03	2,65	5,75	3060	5835
G-F3K-T-FP	40	7,58 x 2,40 x 1,03	2,65	5,78	3490	6490
G-F3K-T	42	7,58 x 2,40 x 1,03	2,65	5,78	3160	6310



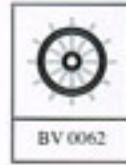
GEPA - FIBERGLASS INDUSTRY & TRADE CO. INC.

Tersane Yolu, Yan Sanayi Bölgesi, No:12 Aydıntepe (P.O.BOX 7) Tuzla 34947 Istanbul TURKEY

Phone: +90 216 392 93 96 Fax: +90 216 392 20 64

e-mail: info@gepafiberglass.com Web Page: www.gepafiberglass.com

TOTALLY ENCLOSED LIFEBOATS



GEPA GRP TOTALLY ENCLOSED LIFEBOATS are designed, constructed and tested according to the latest regulations and standards of "SOLAS" and "IMO".



Stainless steel equipment

Stainless steel steering system and nozzle rudder

TOR ON LOAD automatic and hydrostatic hooks with simultaneous release

Closed circuit, fresh water, keel cooled, electrical start marine diesel engine

Stainless steel shaft, brass stern tube and manganese bronze propeller

The lifeboat can also be used as a Rescue Boat



TOTALLY ENCLOSED LIFEBOATS



Type	Capacity Persons	Dimensions L x B x D (m)	Height (m)	Length Between Hooks (m)	Weight (Kg)	
					Fully Equipped	With Persons
G-F6K-FP	18	6,08 x 2,19 x 0,98	2,60	4,25	2810	4160
G-F6K	19	6,08 x 2,19 x 0,98	2,60	4,25	2480	3905
G-F4K-FP	27	6,58 x 2,40 x 1,03	2,65	4,75	3210	5235
G-F4K	29	6,58 x 2,40 x 1,03	2,65	4,75	2880	5055
G-F3K-FP	35	7,58 x 2,40 x 1,03	2,65	5,75	3390	6015
G-F3K	37	7,58 x 2,40 x 1,03	2,65	5,75	3060	5835
G-F3K-T-FP	40	7,58 x 2,40 x 1,03	2,65	5,78	3490	6490
G-F3K-T	42	7,58 x 2,40 x 1,03	2,65	5,78	3160	6310



GEPA - FIBERGLASS INDUSTRY & TRADE CO. INC.

Tersane Yolu, Yan Sanayi Bölgesi, No:12 Aydıntepe (P.O.BOX 7) Tuzla 34947 Istanbul TURKEY

Phone: +90 216 392 93 96 Fax: +90 216 392 20 64

e-mail: info@gepafiberglass.com Web Page: www.gepafiberglass.com

PARTIALLY ENCLOSED LIFEBOATS



GEPA GRP PARTIALLY ENCLOSED LIFEBOATS are designed, constructed and tested according to the latest regulations and standards of "SOLAS" and "IMO".



- Stainless steel equipment
- Stainless steel steering system and nozzle rudder
- TOR ON LOAD automatic and hydrostatic hooks with simultaneous release
- Orange color polyvinyl canopies
- Closed circuit, fresh water, keel cooled, electrical start marine diesel engine
- Stainless steel shaft, brass stern tube and manganese bronze propeller
- The Lifeboat can also be used as a Rescue Boat



PARTIALLY ENCLOSED LIFEBOATS



Type	Capacity Persons	Dimensions L x B x D (m)	Height (m)	Length Between Hooks (m)	Weight (Kg)	
					Fully Equipped	With Persons
G-F6YK	20	6,08 x 2,19 x 0,98	2,60	4,25	2360	3860
G-F4YK	29	6,58 x 2,40 x 1,03	2,65	4,75	2740	4915
G-F3YK	38	7,58 x 2,40 x 1,03	2,65	5,75	2780	5630
G-F3YK-T	48	7,58 x 2,40 x 1,03	2,65	5,78	2880	6480



GEPA - FIBERGLASS INDUSTRY & TRADE CO. INC.

Tersane Yolu, Yan Sanayi Bölgesi, No:12 Aydıntepe (P.O.BOX 7) Tuzla 34947 Istanbul TURKEY
 Phone: +90 216 392 93 96 Fax: +90 216 392 20 64
 e-mail: info@gepafiberglass.com Web Page: www.gepafiberglass.com



OPEN LIFEBOATS

GEPA GRP OPEN TYPE LIFEBOATS are designed, constructed and tested according to the requirements of "SOLAS 1974" Safety of Life at Sea, Chapter III, Regulation 41.

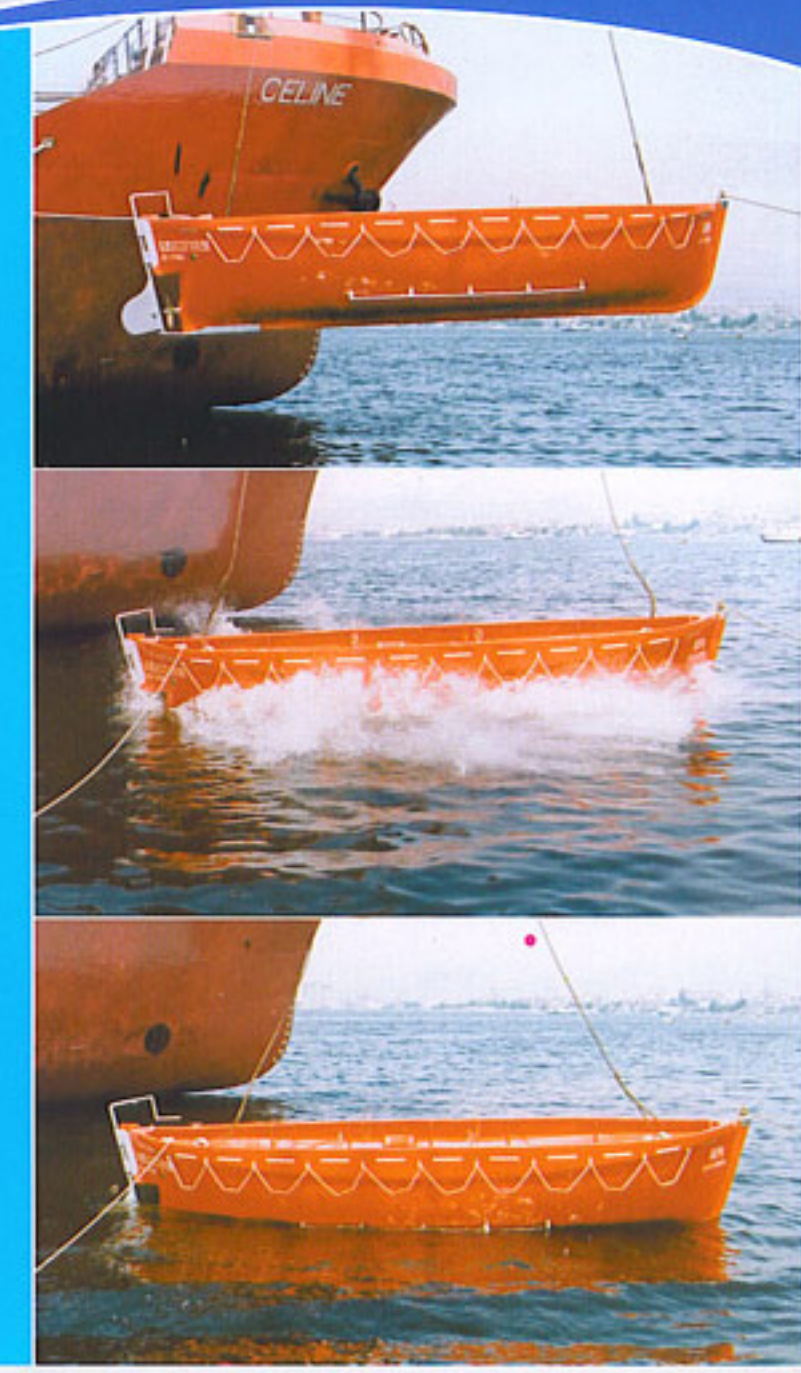


OPEN LIFEBOATS



Type	Capacity Persons	Dimensions L x B x D (m)	Length Between Hooks (m)	Weight (Kg)	
				Fully Equipped	With Persons
G-F5	9	4,00 x 1,70 x 0,72	2,50	390	1065
G-F2	13	5,70 x 1,92 x 0,75	4,05	750	1725
G-F1	20	6,06 x 2,20 x 0,77	4,25	810	2310
G-F6	25	6,05 x 2,19 x 0,98	4,50	1280	3155
G-F4	30	6,56 x 2,38 x 1,03	4,53	1280	3530
G-F3	40	7,56 x 2,38 x 1,03	5,51	1485	4485

- Round bottom type
- Good inherent stability and excellent sea keeping qualities
- Floating in damaged conditions
- One piece GRP hull moulding
- Hot dipped galvanized steel keel connection plates and lifting hooks
- Non-sliding walking areas
- Non-corrosive equipment
- Hot dipped galvanized or stainless steel manual steering system
- Air or water cooled, hand or electrical start marine diesel engine with reverse reduction gearbox
- Stainless steel shaft, brass stern tube and manganese bronze propeller



GEPA - FIBERGLASS INDUSTRY & TRADE CO. INC.

Tersane Yolu, Yan Sanayi Bölgesi, No:12 Aydıntepe (P.O.BOX 7) Tuzla 34947 Istanbul TURKEY
Phone: +90 216 392 93 96 Fax: +90 216 392 20 64
e-mail: info@gepafiberglass.com Web Page: www.gepafiberglass.com

SERVICE WORK UTILITY BOATS

- Round bottom type
- Good inherent stability and excellent sea keeping qualities
- Floating in damaged conditions
- One piece GRP hull moulding
- Hot dipped galvanized steel keel connection plates and lifting hooks
- Non-sliding walking areas
- Non-corrosive equipment
- Hot dipped galvanized or stainless steel manual steering system
- Air or water cooled, hand or electrical start marine diesel engine with reverse reduction gearbox
- Stainless steel shaft, brass stern tube and manganese bronze propeller
- Some changes on the boats, steering systems and outboard petrol engines as propulsion units can be done upon the request of the customer



SERVICE WORK UTILITY

SERVICE BOATS

Type	Dimensions L x B x D (m)
G-GSB3	2,27 x 1,22 x 0,58
G-GSB4	3,29 x 1,27 x 0,56
G-GSB2	4,00 x 1,70 x 0,72
G-GSB1	5,70 x 1,92 x 0,75

UTILITY BOATS

Type	Dimensions L x B x D (m)
G-F5-UB	4,00 x 1,70 x 0,72
G-F2-UB	5,70 x 1,92 x 0,75
G-F1-UB	6,06 x 2,20 x 0,77
G-F6-UB	6,05 x 2,19 x 0,98
G-F4-UB	6,56 x 2,38 x 1,03
G-F3-UB	7,56 x 2,38 x 1,03

BOATS



GEPA - FIBERGLASS INDUSTRY & TRADE CO. INC.

Tersane Yolu, Yan Sanayi Bölgesi, No:12 Aydıntepe (P.O.BOX 7) Tuzla 34947 Istanbul TURKEY

Phone: +90 216 392 93 96 Fax: +90 216 392 20 64

e-mail: info@gepafiberglass.com Web Page: www.gepafiberglass.com

RESCUE BOATS

Slow speed with inboard diesel engine



GEPA GRP RESCUE BOATS are designed, constructed and tested according to the latest regulations and standards of "SOLAS" and "IMO".



- Two-pieces moulding: Hull-Deck & Interior
 - Floating in damaged condition
 - Non-sliding surfaces for seats and decks
 - Stainless steel equipment (fitting - towing - anchoring)
- One point lifting by stainless steel hoisting leg unit with automatic release hook
- Closed circuit, fresh water, keel cooled, electrical start marine diesel engine
 - Stainless steel shaft, brass stern tube and manganese bronze propeller
 - Polyvinyl canopy



RESCUE BOATS



Type	Capacity Persons	Dimensions L x B x D (m)	H.o.A (m)	Inboard Diesel Engine HP	Weight (Kg)	
					Fully Equipped	With Persons
G-RB3	6	4,52 x 1,81 x 0,84	2,03	24	905	1355



GEPA - FIBERGLASS INDUSTRY & TRADE CO. INC.

Tersane Yolu, Yan Sanayi Bölgesi, No:12 Aydıntepe (P.O.BOX 7) Tuzla 34947 Istanbul TURKEY
 Phone: +90 216 392 93 96 Fax: +90 216 392 20 64
 e-mail: info@gepafiberglass.com Web Page: www.gepafiberglass.com

RESCUE BOATS

Slow speed with
outboard petrol engine



GEPA GRP RESCUE BOATS are designed, constructed and tested according to the latest regulations and standards of "SOLAS" and "IMO".



- Two-pieces moulding: Hull-Deck & Interior
 - Floating in damaged condition
 - Non-sliding surfaces for seats and decks
- Stainless steel equipment (fitting - towing - anchoring)
- Four point lifting slings of stainless steel wire with shackles and topping
 - Polyvinyl canopy
 - GRP spreaders



RESCUE
BOATS



Type	Capacity Persons	Dimensions L x B x D (m)	Outboard Petrol Engine HP	Weight (Kg)	
				Fully Equipped	With Persons
G-RB1	6	4,40 x 1,79 x 0,72	25	450	900
G-RB1-D	6	4,40 x 1,79 x 0,72	25	475	925
G-RB1-DE	6	4,40 x 1,79 x 0,72	25	495	945
G-RB2	6	4,35 x 1,79 x 0,72	15	370	820



GEPA - FIBERGLASS INDUSTRY & TRADE CO. INC.

Tersane Yolu, Yan Sanayi Bölgesi, No:12 Aydıntepe (P.O.BOX 7) Tuzla 34947 Istanbul TURKEY

Phone: +90 216 392 93 96 Fax: +90 216 392 20 64

e-mail: info@gepafiberglass.com Web Page: www.gepafiberglass.com

FAST RESCUE BOATS

With outboard petrol engine



GEPA GRP FAST RESCUE BOATS are designed, constructed and tested according to the latest regulations and standards of "SOLAS" and "IMO".



- Two-pieces moulding: Hull-Deck & Interior
 - Floating in damaged condition
 - Self-righting
 - Rubber fender all around
 - Non-sliding surfaces for seats and decks
- Stainless steel equipment (fitting - towing - anchoring)
- One point lifting by stainless steel hoisting leg unit with automatic release hook



**FAST
RESCUE BOATS**



Type	Capacity Persons	Dimensions L x B x D (m)	H.o.A (m)	Outboard Petrol Engine HP	Weight (Kg)	
					Fully Equipped	With Persons
G-FRB1-0	15	6,80 x 2,62 x 1,19	2,79	2 x 90	2240	3365



GEPA - FIBERGLASS INDUSTRY & TRADE CO. INC.

Tersane Yolu, Yan Sanayi Bölgesi, Yakaroz Sok. No:10 Aydıntepe (P.O.BOX 7) Tuzla 34947 Istanbul TURKEY

Phone: +90 216 392 93 96 Fax: +90 216 392 20 64

e-mail: info@gepafiberglass.com Web Page: www.gepafiberglass.com

HOOK RELEASE DEVICE



Type: G-K1
Tested L.: 5,700 kg
S.W.L. : 950 kg

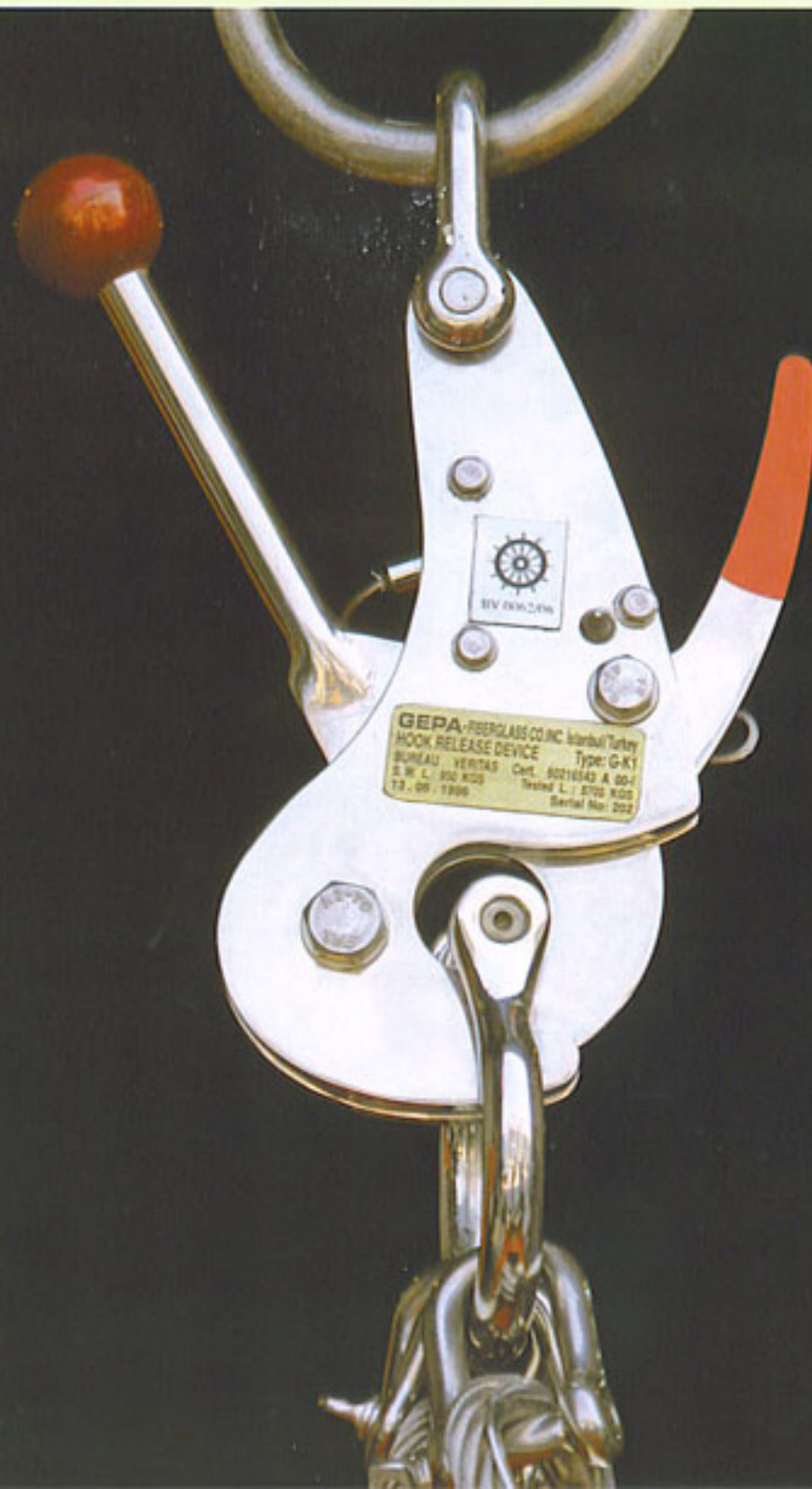


G-K1 TYPE GEPA HOOK RELEASE DEVICE is designed, constructed and tested according to the latest regulations and standards of "SOLAS" and "IMO"

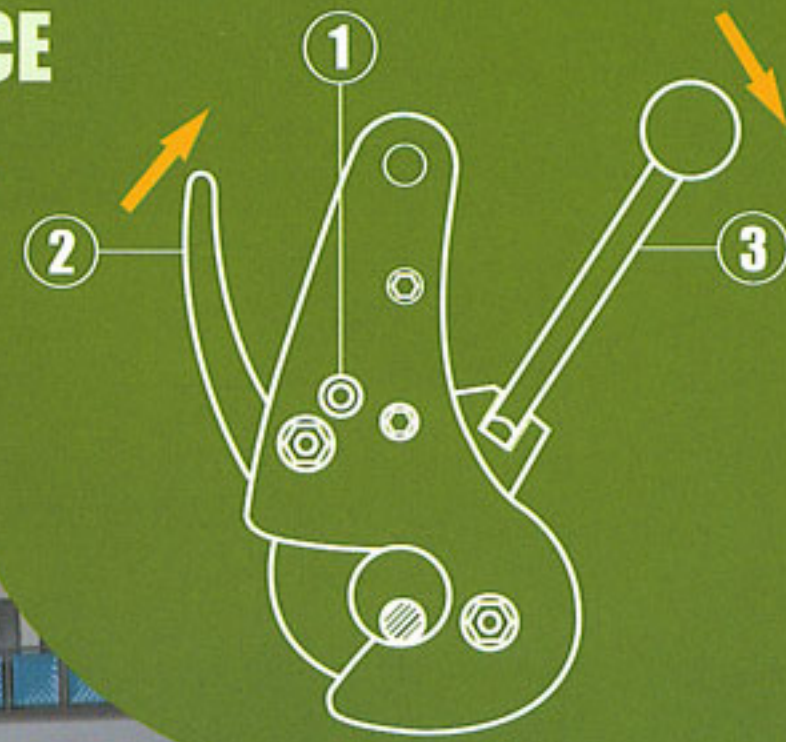
G-K1 TYPE GEPA ON-LOAD HOOK RELEASE DEVICE is for use in launching process of single point lifting rescue boats, service boats, work boats, utility boats, pleasure boats and different lifted weights.



- The Hook is tested under 5700 kg. for breaking load and under 1050 kg. for safety working load.
- The weight of the Hook is 1950 gr.
- Stainless steel (316) maintenance free Hook is manufactured to a high standard of engineering.



HOOK RELEASE DEVICE



OPERATING PROCEDURE

- 1 Take off the safety pin
- 2 Push up the lock arm
- 3 Pull down the release arm (Push up the release arm to engage the hook)



GEPA - FIBERGLASS INDUSTRY & TRADE CO. INC.

Tersane Yolu, Yan Sanayi Bölgesi, No:12 Aydıntepe (P.O.BOX 7) Tuzla 34947 Istanbul TURKEY
Phone: +90 216 392 93 96 Fax: +90 216 392 20 64
e-mail: info@gepafiberglass.com Web Page: www.gepafiberglass.com

LIFEBUOY BOX



Type: G-CSD1

Dimensions
880 Ø x 140 mm

GEPA GRP LIFEBUOY BOX & LIFEBUOY QUICK RELEASE SYSTEM ARE CORROSION RESISTANT, EQUIPPED WITH STAINLESS STEEL OR PLASTIC FASTENERS, VIRTUALLY MAINTENANCE FREE AND HIGHLY RESISTANT TO IMPACT DAMAGE.

LIFEBUOY QUICK RELEASE SYSTEM

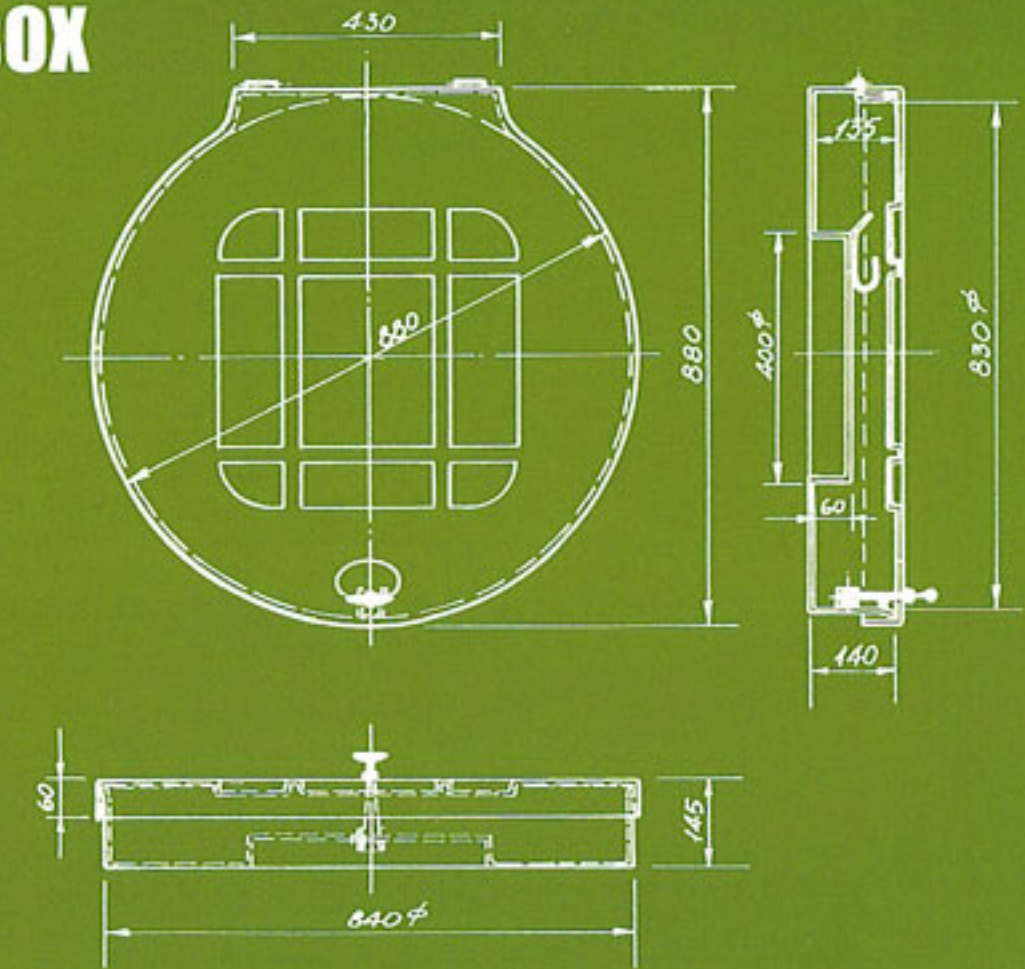


Type: G-CSSBS1

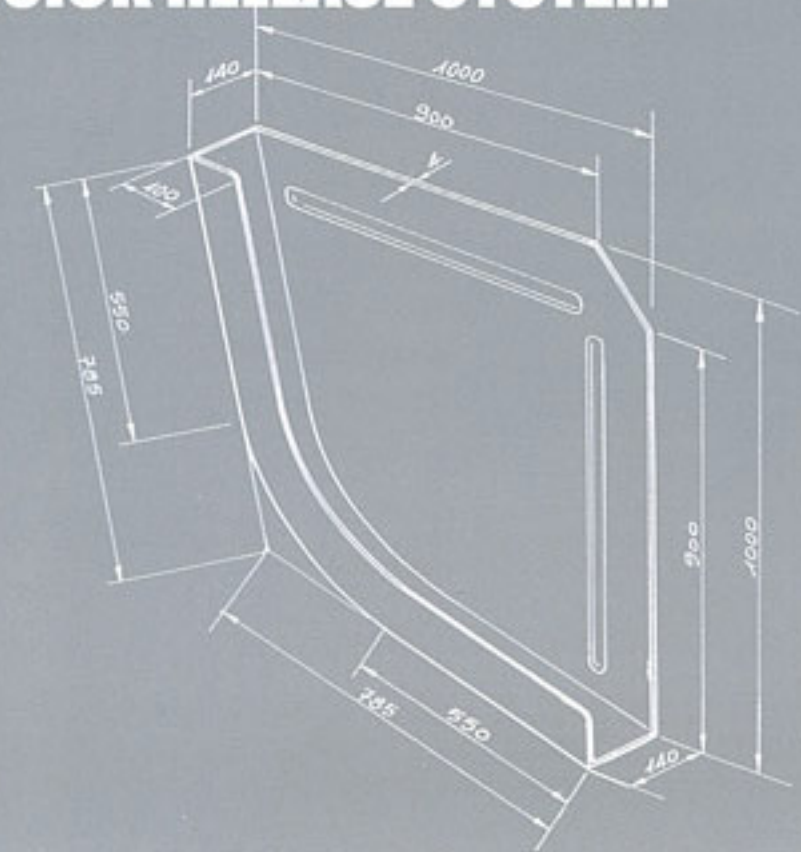
Dimensions
1000 x 1000 x 140 mm



LIFEBUOY BOX



LIFEBUOY QUICK RELEASE SYSTEM



GEPA - FIBERGLASS INDUSTRY & TRADE CO. INC.

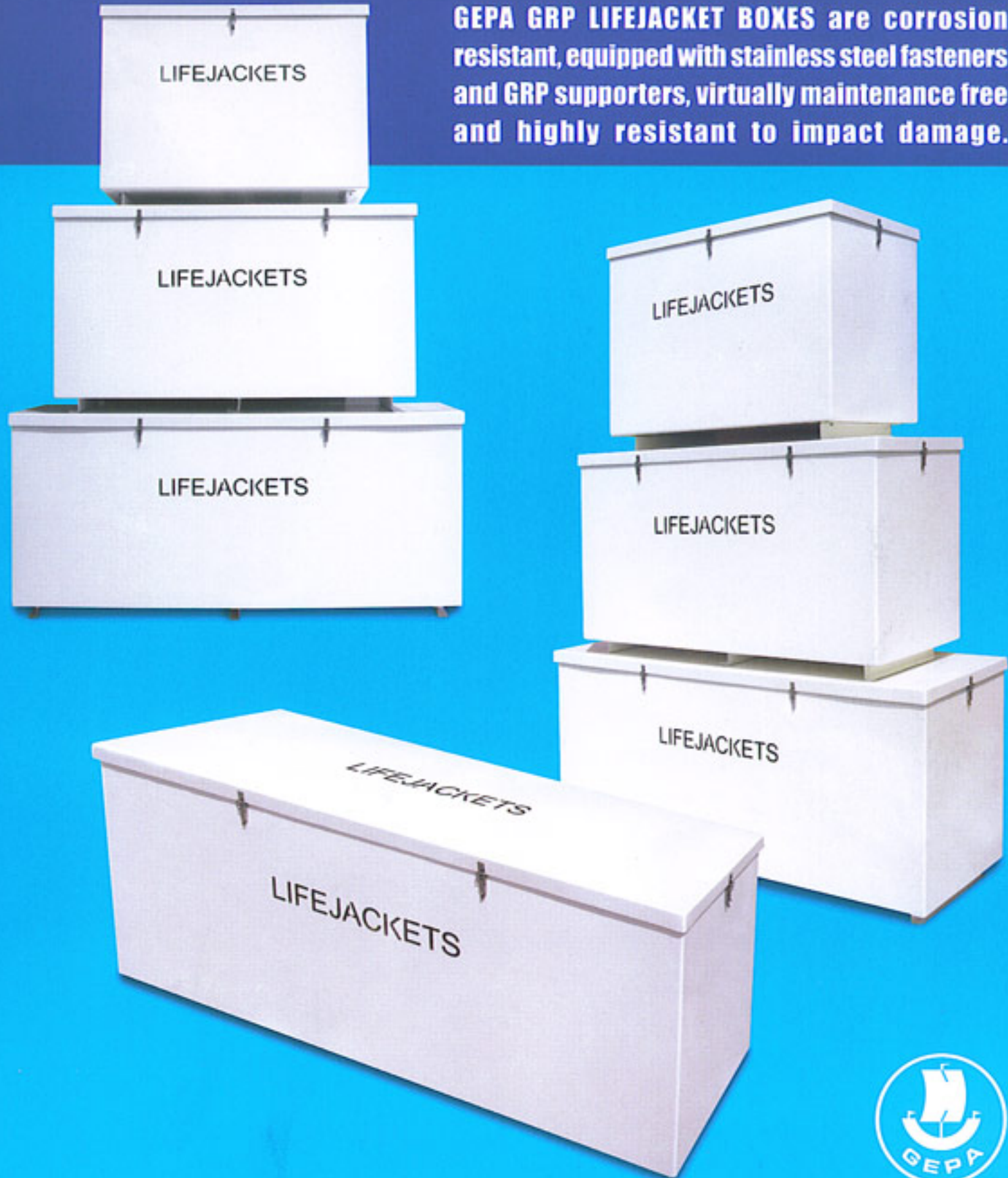
Tersane Yolu, Yan Sanayi Bölgesi, No:12 Aydıntepe (P.O.BOX 7) Tuzla 34947 Istanbul TURKEY

Phone: +90 216 392 93 96 Fax: +90 216 392 20 64

e-mail: info@gepafiberglass.com Web Page: www.gepafiberglass.com

Our professional service is backed by guarantee and experience of working closely with our customers over many years.

LIFEJACKET BOXES

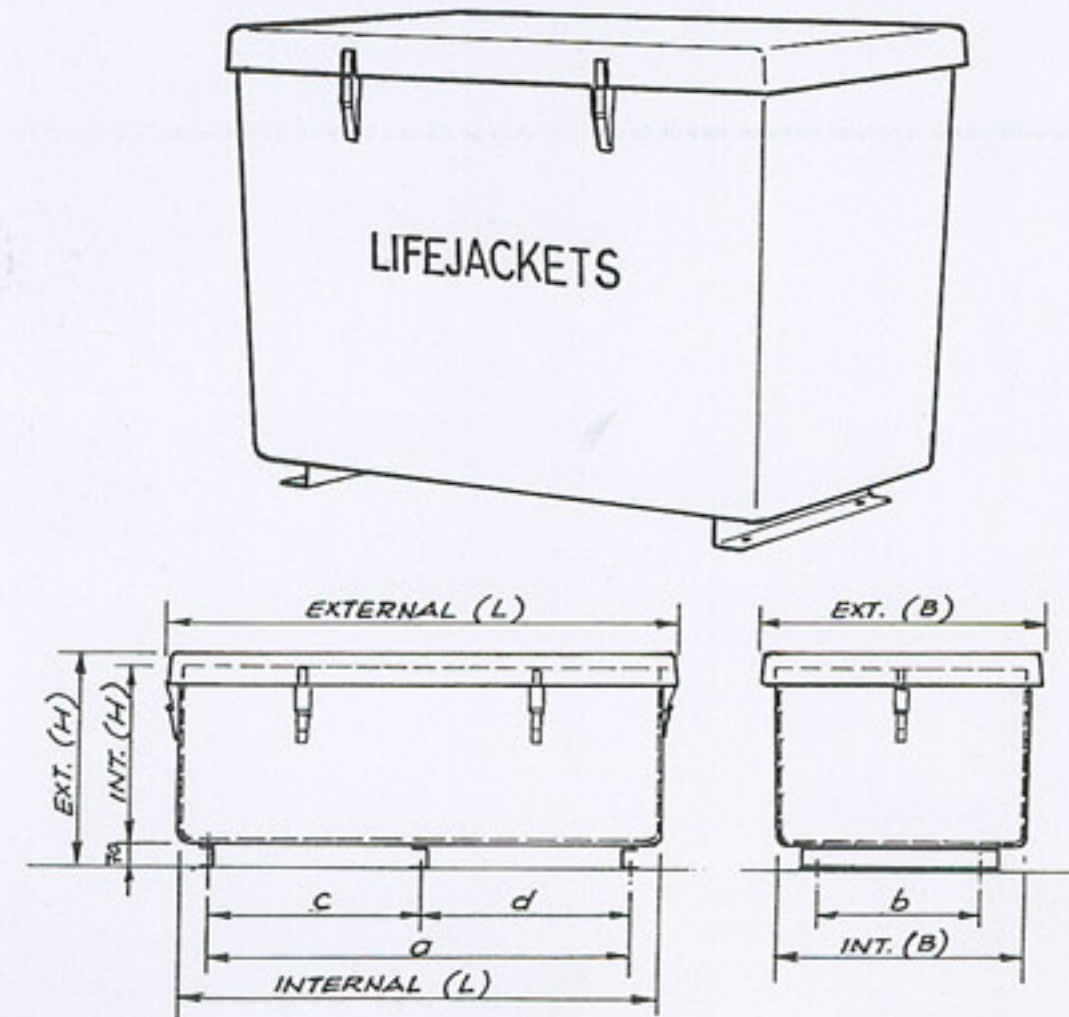


GEPA GRP LIFEJACKET BOXES are corrosion resistant, equipped with stainless steel fasteners and GRP supporters, virtually maintenance free and highly resistant to impact damage.



LIFEJACKET BOXES

Type	Internal Dimensions L x B x H (mm)	External Dimensions L x B x H (mm)	Mounting Dimensions a x b (mm)	Mounting Dimensions c x d x b (mm)
G-CYK1	1190 x 610 x 440	1225 x 640 x 520	1050 x 420	-
G-CYK2	1190 x 610 x 640	1225 x 640 x 720	1050 x 420	-
G-CYK3	1190 x 610 x 840	1225 x 640 x 920	1050 x 420	-
G-CYK4	1590 x 610 x 440	1625 x 640 x 520	-	725 x 725 x 420
G-CYK5	1590 x 610 x 640	1625 x 640 x 720	-	725 x 725 x 420
G-CYK6	1590 x 610 x 840	1625 x 640 x 920	-	725 x 725 x 420
G-CYK7	1990 x 610 x 440	2025 x 640 x 520	-	925 x 925 x 420
G-CYK8	1990 x 610 x 640	2025 x 640 x 720	-	925 x 925 x 420
G-CYK9	1990 x 610 x 840	2025 x 640 x 920	-	925 x 925 x 420



GEPA - FIBERGLASS INDUSTRY & TRADE CO. INC.

Tersane Yolu, Yan Sanayi Bölgesi, No:12 Aydıntepe (P.O.BOX 7) Tuzla 34947 İstanbul TURKEY

Phone: +90 216 392 93 96 Fax: +90 216 392 20 64

e-mail: info@gepafiberglass.com Web Page: www.gepafiberglass.com

Our professional service is backed by guarantee and experience of working closely with our customers over many years.

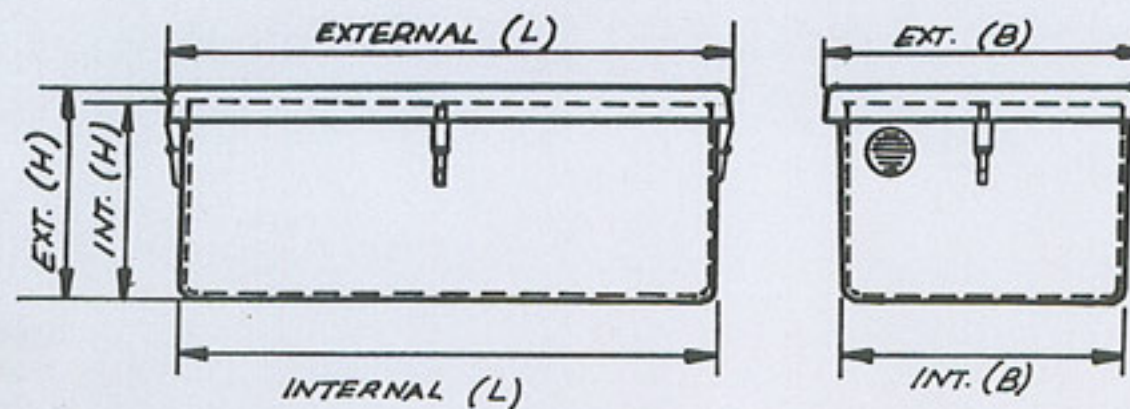
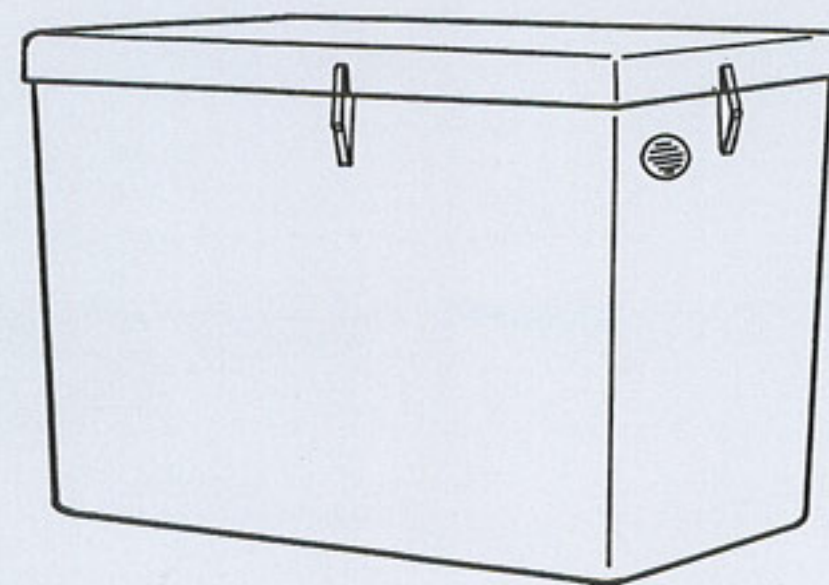
BATTERY BOXES

GEPA GRP BATTERY BOXES are corrosion resistant, equipped with stainless steel fasteners, ventilation grills and GRP supporters, virtually maintenance free and highly resistant to impact damage.



BATTERY BOXES

Type	Internal Dimensions L x B x H (mm)	External Dimensions L x B x H (mm)
G-AK1	1200 x 400 x 350	1220 x 420 x 355
G-AK2	1200 x 400 x 450	1220 x 420 x 455
G-AK3	1200 x 400 x 600	1220 x 420 x 605
G-AK4	610 x 552 x 345	622 x 565 x 355
G-AK5	540 x 290 x 345	560 x 310 x 355



GEPA - FIBERGLASS INDUSTRY & TRADE CO. INC.

Tersane Yolu, Yan Sanayi Bölgesi, No:12 Aydıntepe (P.O.BOX 7) Tuzla 34947 İstanbul TURKEY
 Phone: +90 216 392 93 96 Fax: +90 216 392 20 64
 e-mail: info@gepafiberglass.com Web Page: www.gepafiberglass.com

Our professional service is backed by guarantee and experience of working closely with our customers over many years.

BOXES & CABINETS FOR FIRE FIGHTING



BOXES & CABINETS FOR FIRE FIGHTING

FOAM APPLICATOR BOX

Type: G-KAK1
Dimensions
830 x 320 x 690 mm



GEPA GRP BOXES & CABINETS FOR FIRE FIGHTING ARE CORROSION RESISTANT, EQUIPPED WITH STAINLESS STEEL OR PLASTIC FASTENERS, VIRTUALLY MAINTENANCE FREE AND HIGHLY RESISTANT TO IMPACT DAMAGE.

BREATHING APPARATUS BOX

Type: G-STK1
Dimensions
980 x 430 x 490 mm



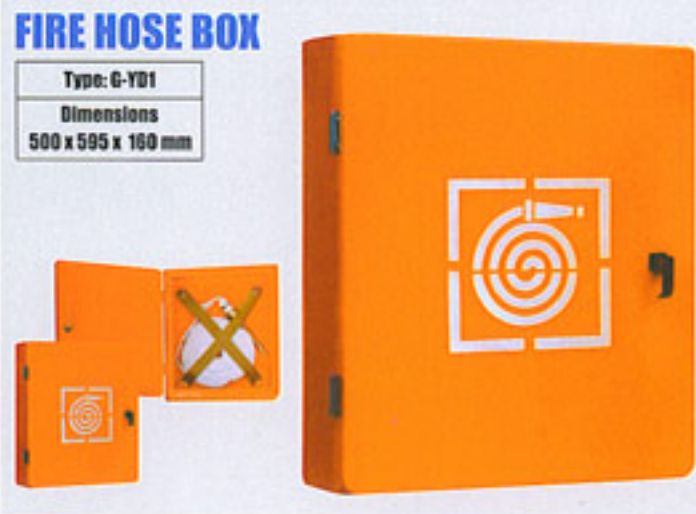
BREATHING APPARATUS CABINET

Type: G-STD1
Dimensions
645 x 1165 x 425 mm



FIRE HOSE BOX

Type: G-YD1
Dimensions
500 x 595 x 180 mm

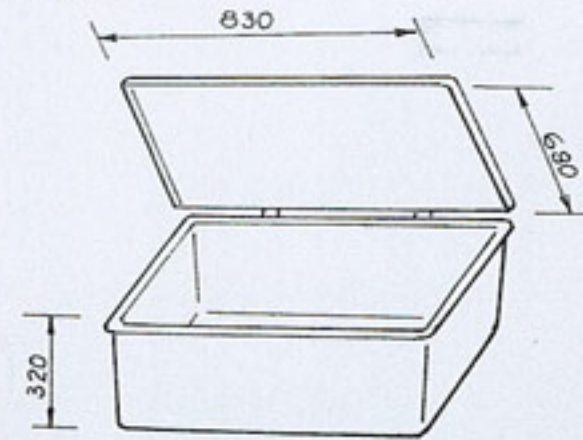


FIRE HOSE BOX

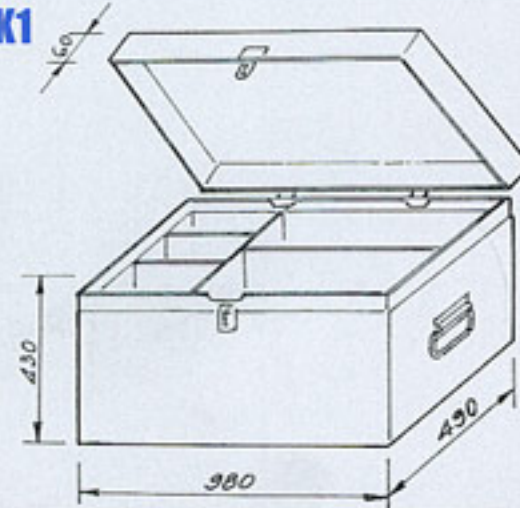
Type: G-YD2
Dimensions
600 Ø x 250 mm



G-KAK1

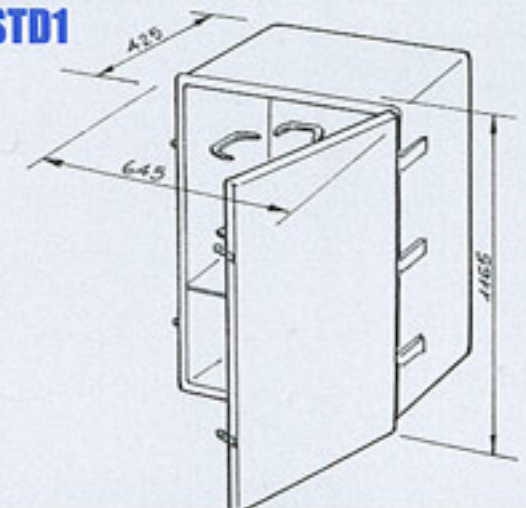


G-STK1

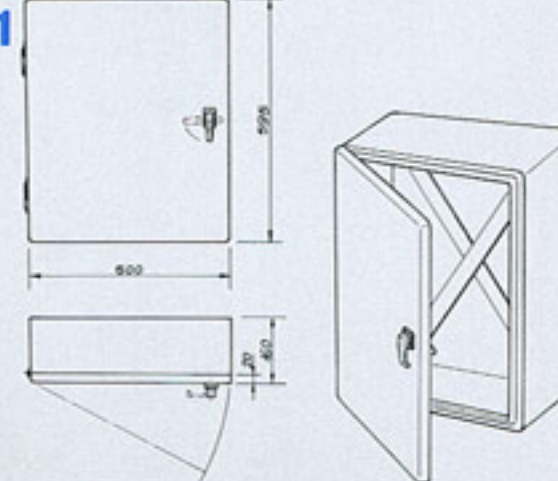


- Foam Applicator Box
- Breathing Apparatus Box & Cabinet
- Fire Hose Boxes

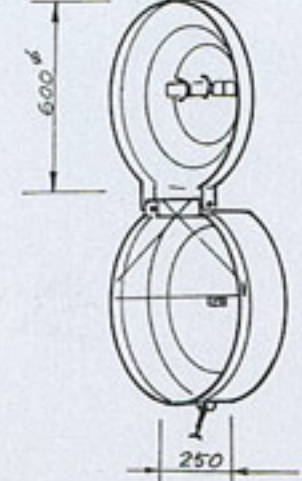
G-STD1



G-YD1



G-YD2



GEPA - FIBERGLASS INDUSTRY & TRADE CO. INC.

Tersane Yolu, Yan Sanayi Bölgesi, No:12 Aydıntepe (P.O.BOX 7) Tuzla 34947 Istanbul TURKEY

Phone: +90 216 392 93 96 Fax: +90 216 392 20 64

e-mail: info@gepafiberglass.com Web Page: www.gepafiberglass.com

WET UNITS for Ships and Offshore Installations

GEPA GRP WET UNITS ARE DESIGNED, CONSTRUCTED AND TESTED ACCORDING TO THE LATEST REGULATIONS AND STANDARDS OF "SOLAS" AND "IMO".



For a **"High-Quality Life"** on a SHIP or OFFSHORE Installation

- HYGIENIC
- LIFETIME GUARANTEED FOR WATER LEAKAGE
- DURABLE
- SAFE
- FUNCTIONAL
- COMFORTABLE
- AESTHETIC
- NEW TECHNOLOGY
- INSPIRING
- MOTIVATING

Types with
WC + WASH BASIN + SHOWER
WC + WASH BASIN + CUPBOARD
WC + WASH BASIN + BATH
WC + WASH BASIN
with single or double doors

WET UNITS

for Ships and Offshore Installations



- Entirely built of hand laminated GRP with use of self-extinguishing resins.
- Reinforced with polyurethane foam over coated lamination.
- Top and all side walls are in one piece moulding.
- Non-sliding bottom surface.
- Light-weight.
- Corners rounded.
- Vacuum or gravity toilets.
- Any color desired.
- All surfaces are washable.
- Easy cleaning.
- First class materials and sanitary equipments.
- Maximum quality and comfort.
- Various models.
- Different draining systems.
- Easy installations.
- Ready for operation just after water, drain and power connections.
- Equipped with two hook eyes on top for crane lifting.
- Loading and unloading by forklift or crane.
- Transport by truck or container.



GEPA - FIBERGLASS INDUSTRY & TRADE CO. INC.

Tersane Yolu, Yan Sanayi Bölgesi, No:12 Aydıntepe (P.O.BOX 7) Tuzla 34947 Istanbul TURKEY
Phone: +90 216 392 93 96 Fax: +90 216 392 20 64
e-mail: info@gepafiberglass.com Web Page: www.gepafiberglass.com

WET UNITS for Ships and Offshore Installations

GEPA GRP WET UNITS ARE DESIGNED, CONSTRUCTED AND TESTED ACCORDING TO THE LATEST REGULATIONS AND STANDARDS OF "SOLAS" AND "IMO".



For a **"High-Quality Life"** on a SHIP or OFFSHORE Installation

- HYGIENIC • LIFETIME GUARANTEED FOR WATER LEAKAGE
- DURABLE • SAFE • FUNCTIONAL • COMFORTABLE
- AESTHETIC • NEW TECHNOLOGY
- INSPIRING • MOTIVATING



Types with
WC + WASH BASIN + SHOWER
WC + WASH BASIN + CUPBOARD
WC + WASH BASIN + BATH
WC + WASH BASIN
with single or double doors

WET UNITS

for Ships and Offshore Installations



- Entirely built of hand laminated GRP with use of self-extinguishing resins.
- Reinforced with polyurethane foam over coated lamination.
- Top and all side walls are in one piece moulding.
- Non-sliding bottom surface.
- Light-weight.
- Corners rounded.
- Vacuum or gravity toilets.
- Any color desired.
- All surfaces are washable.
- Easy cleaning.
- First class materials and sanitary equipments.
- Maximum quality and comfort.
- Various models.
- Different draining systems.
- Easy installations.
- Ready for operation just after water, drain and power connections.
- Equipped with two hook eyes on top for crane lifting.
- Loading and unloading by forklift or crane.
- Transport by truck or container.



GEPA - FIBERGLASS INDUSTRY & TRADE CO. INC.

Tersane Yolu, Yan Sanayi Bölgesi, No:12 Aydıntepe (P.O.BOX 7) Tuzla 34947 Istanbul TURKEY
Phone: +90 216 392 93 96 Fax: +90 216 392 20 64
e-mail: info@gepafiberglass.com Web Page: www.gepafiberglass.com

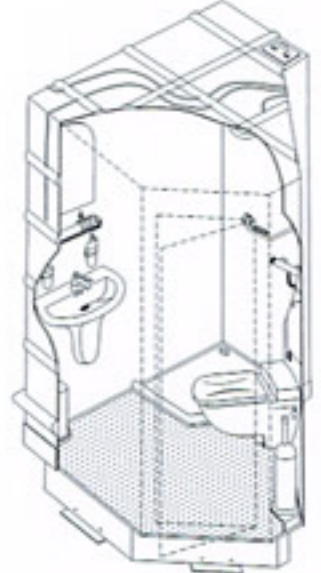
WET UNITS

for Ships and Offshore Installations

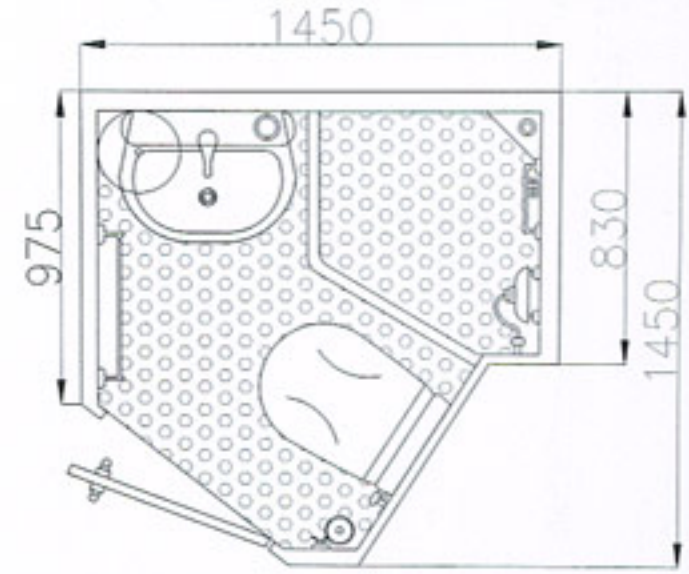


WET UNITS for Ships and Offshore Installations

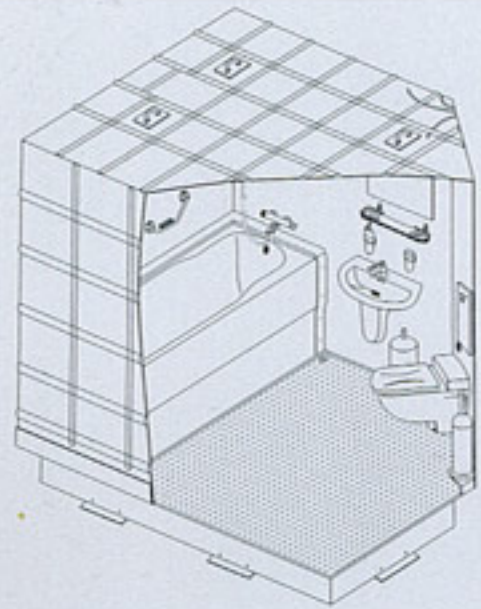
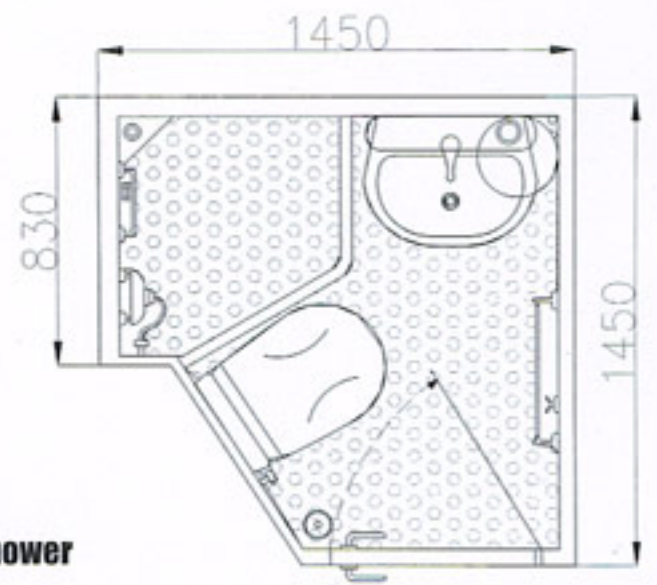
Type	Wet Unit with	Dimensions L x B x H (mm)
G-KLD1A	WC + Wash Basin + Shower	1450 x 1450 x 2250
G-KLD1B	WC + Wash Basin + Shower	1450 x 1450 x 2250
G-KLD1C	WC + Wash Basin + Shower	1450 x 1450 x 2250
G-KLD1D	WC + Wash Basin + Shower	1450 x 1450 x 2250
G-KL1	WC + Wash Basin	2200 x 870 x 2250
G-KL2	WC + Wash Basin	1950 x 1000 x 2250
G-KLB1A	WC + Wash Basin + Bath	2180 x 1640 x 2250
G-KLB1B	WC + Wash Basin + Bath	2180 x 1640 x 2250
G-KL1AD	WC + Wash Basin + Cupboard	1450 x 1450 x 2250
G-KL1BD	WC + Wash Basin + Cupboard	1450 x 1450 x 2250
G-KL1CD	WC + Wash Basin + Cupboard	1450 x 1450 x 2250
G-KL1DD	WC + Wash Basin + Cupboard	1450 x 1450 x 2250
G-KLD1CX	WC + Wash Basin + Shower with Double Doors	1450 x 1450 x 2250
G-KLD1DX	WC + Wash Basin + Shower with Double Doors	1450 x 1450 x 2250
G-KLD2AX	WC + Wash Basin + Shower with Double Doors	2180 x 1640 x 2250
G-KLD2BX	WC + Wash Basin + Shower with Double Doors	2180 x 1640 x 2250
G-KLD2CX	WC + Wash Basin + Shower with Double Doors	2180 x 1640 x 2250
G-KLD2DX	WC + Wash Basin + Shower with Double Doors	2180 x 1640 x 2250



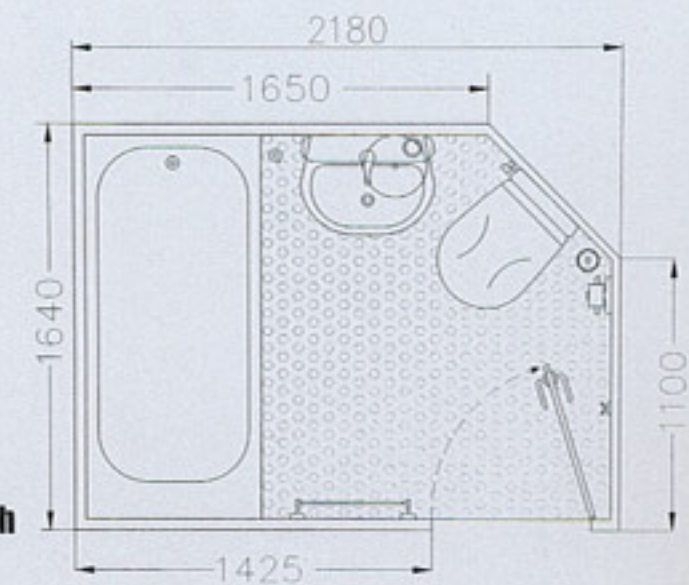
Type: **G-KLD1B**
WC + Basin + Shower



Type: **G-KLD1C**
WC + Wash Basin + Shower



Type: **G-KLB1A**
WC + Wash Basin + Bath



Modifications can be done according to customer's request.



GEPA - FIBERGLASS INDUSTRY & TRADE CO. INC.

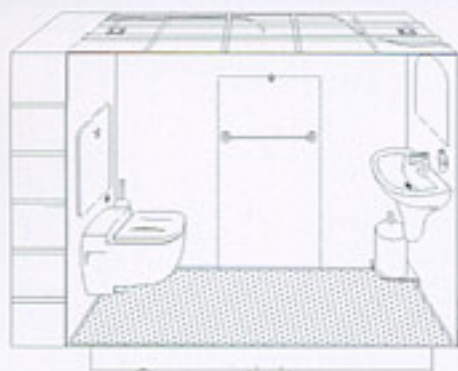
Tersane Yolu, Yan Sanayi Bölgesi, No:12 Aydıntepe (P.O.BOX 7) Tuzla 34947 Istanbul TURKEY
 Phone: +90 216 392 93 96 Fax: +90 216 392 20 64
 e-mail: info@gepafiberglass.com Web Page: www.gepafiberglass.com

WET UNITS

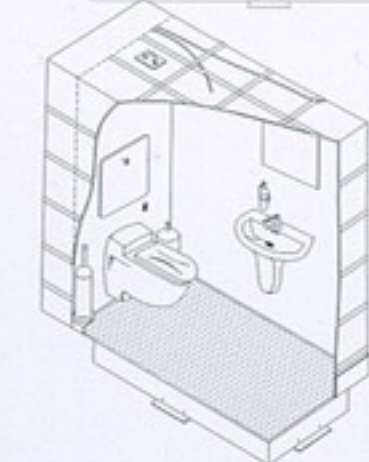
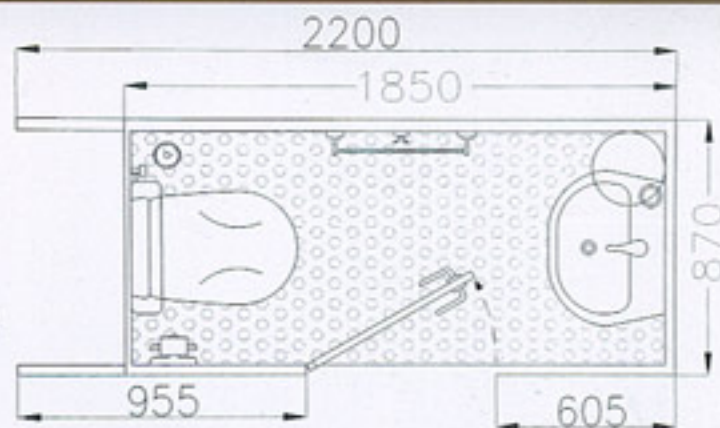
for Ships and Offshore Installations



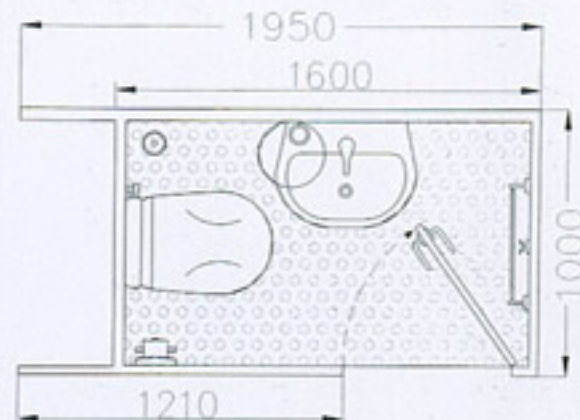
WET UNITS for Ships and Offshore Installations



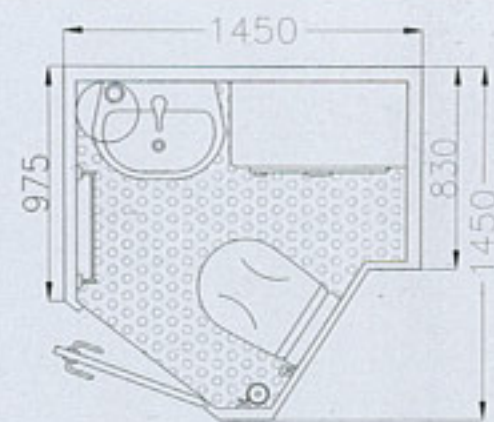
Type: G-KL1
WC + Wash Basin



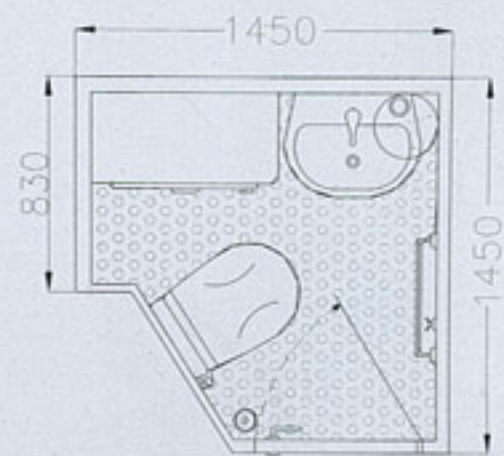
Type: G-KL2
WC + Wash Basin



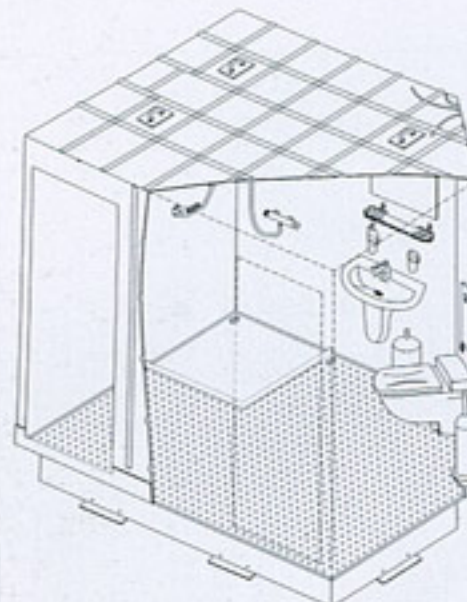
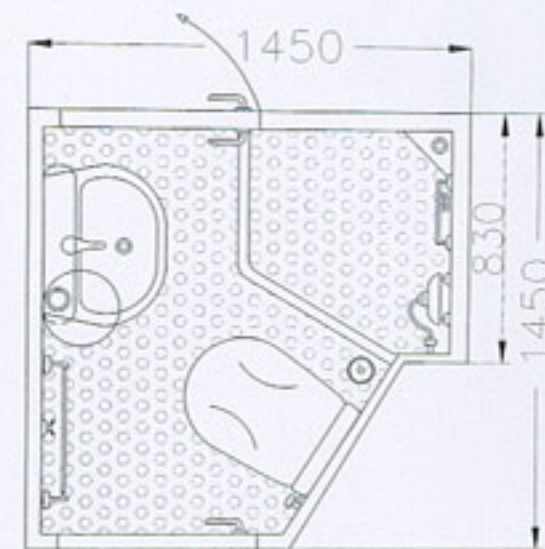
Type: G-KL1BD
WC + Wash Basin + Cupboard



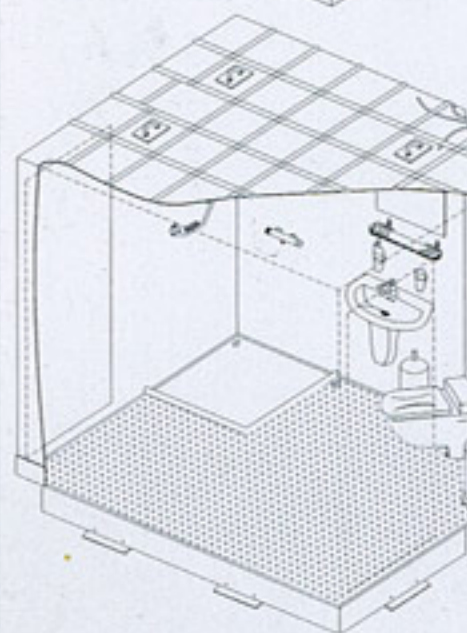
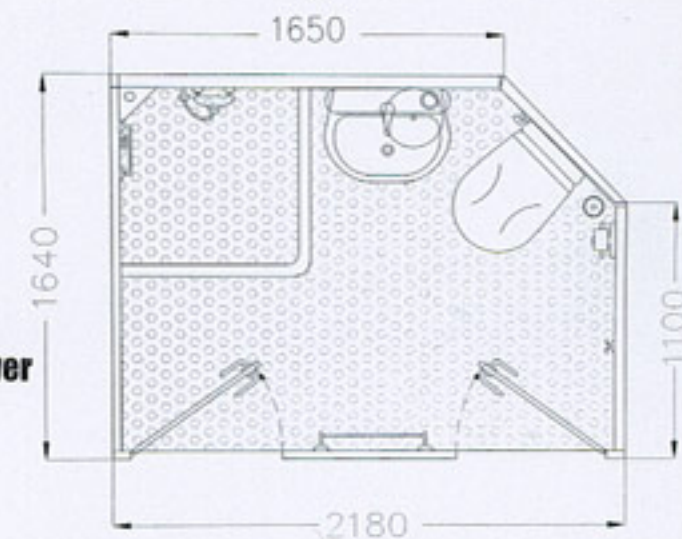
Type: G-KL1CD
WC + Wash Basin + Cupboard



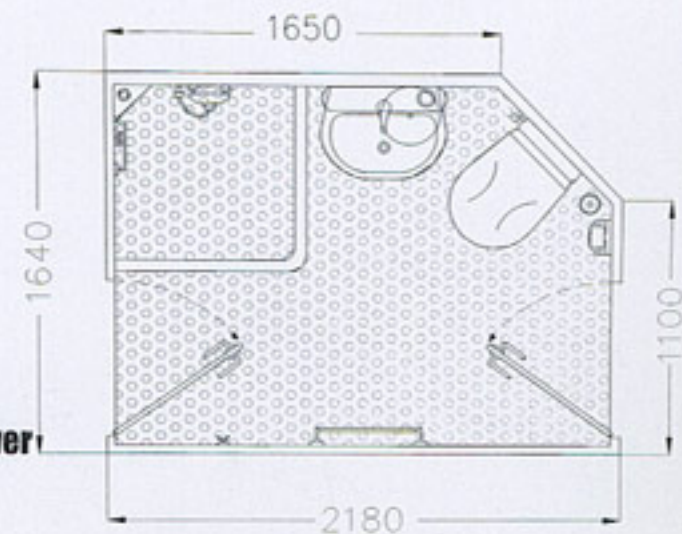
Type: G-KLD1DX
WC + Wash Basin + Shower
with Double Doors



Type: G-KLD2AX
WC + Wash Basin + Shower
with Double Doors



Type: G-KLD2CX
WC + Wash Basin + Shower
with Double Doors



GEPA - FIBERGLASS INDUSTRY & TRADE CO. INC.

Tersane Yolu, Yan Sanayi Bölgesi, No:12 Aydıntepe (P.O.BOX 7) Tuzla 34947 Istanbul TURKEY
 Phone: +90 216 392 93 96 Fax: +90 216 392 20 64
 e-mail: info@gepafiberglass.com Web Page: www.gepafiberglass.com

PRODUCTION RANGE



LIFEBOATS

G-F5	Lifeboat	OPEN	9 Persons
G-F2	Lifeboat	OPEN	13 Persons
G-F1	Lifeboat	OPEN	20 Persons
G-F6	Lifeboat	OPEN	25 Persons
G-F4	Lifeboat	OPEN	30 Persons
G-F3	Lifeboat	OPEN	40 Persons

G-F6YK	Lifeboat	PARTIALLY ENCLOSED	20 Persons
G-F4YK	Lifeboat	PARTIALLY ENCLOSED	29 Persons
G-F3YK	Lifeboat	PARTIALLY ENCLOSED	38 Persons
G-F3YK-T	Lifeboat	PARTIALLY ENCLOSED	48 Persons

G-F6K-FP	Lifeboat	TOTALLY ENCLOSED	Fire Protected	18 Persons
G-F6K	Lifeboat	TOTALLY ENCLOSED		19 Persons
G-F4K-FP	Lifeboat	TOTALLY ENCLOSED	Fire Protected	27 Persons
G-F4K	Lifeboat	TOTALLY ENCLOSED		29 Persons
G-F3K-FP	Lifeboat	TOTALLY ENCLOSED	Fire Protected	35 Persons
G-F3K	Lifeboat	TOTALLY ENCLOSED		37 Persons
G-F3K-T-FP	Lifeboat	TOTALLY ENCLOSED	Fire Protected	40 Persons
G-F3K-T	Lifeboat	TOTALLY ENCLOSED		42 Persons

G-FFF3-FP	Lifeboat	FREEFALL	Fire Protected	12 Persons
G-FFF3	Lifeboat	FREEFALL		12 Persons
G-FFF2-FP	Lifeboat	FREEFALL	Fire Protected	19 Persons
G-FFF2	Lifeboat	FREEFALL		20 Persons
G-FFF1-FP	Lifeboat	FREEFALL	Fire Protected	25 Persons
G-FFF1	Lifeboat	FREEFALL		27 Persons

RESCUE BOATS

G-RB1	Rescue Boat	Slow Speed - 25 HP Outboard Engine	6 Persons
G-RB1-D	Rescue Boat	Slow Speed - 25 HP Outboard Engine	6 Persons
G-RB1-DE	Rescue Boat	Slow Speed - 25 HP Outboard Engine	6 Persons
G-RB2	Rescue Boat	Slow Speed - 15 HP Outboard Engine	6 Persons
G-RB3	Rescue Boat	Slow Speed - 24 HP Diesel Engine	6 Persons
G-FRB1-0	Fast Rescue Boat	180 - 300 HP Outboard Engine	15 Persons

PRODUCTION RANGE

GÜRDESAN RAMPS for FREEFALL LIFEBOATS

GD-FFD-12	Ramp for G-FFF3 & G-FFF3-FP	Freefall Lifeboats
GD-FFD-20	Ramp for G-FFF2 & G-FFF2-FP	Freefall Lifeboats
GD-FFD-25	Ramp for G-FFF1 & G-FFF1-FP	Freefall Lifeboats

GÜRDESAN CRANES (DAVITS) combined for Rescue Boats & Liferrafts & Provisions

GD-RRS 15/3,5A	Crane Electro Hydraulic 10 kN Rescue Boat + 15 kN Liferaft + 10 kN Provision
GD-RRS 21/4	Crane Electro Hydraulic 15 kN Rescue Boat + 21 kN Liferaft + 10 kN Provision
GD-KHK 20/7	Crane Electro Hydraulic 15 kN Rescue Boat + 21 kN Liferaft + 20 kN Hose & Provision
GD-HK 20/8	Service & Hose Handling Crane Electro Hydraulic 20 kN Service & 10 kN Hose

GÜRDESAN GRAVITY DAVITS for LIFEBOATS

GD-GR-20	Gravity Davit for G-F6K & G-F6K-FP	TE/PE Lifeboats
GD-GR-30	Gravity Davit for G-F4K & G-F4K	TE/PE Lifeboats
GD-GR-38	Gravity Davit for G-F3K & G-F3K-FP	TE/PE Lifeboats
GD-GR-42	Gravity Davit for G-F3K-T & G-F3K-FP	TE/PE Lifeboats
GD-GR-48	Gravity Davit for G-F3YK-T & G-F3K-FP	PE Lifeboats

PRODUCTION RANGE



BOXES & CABINETS

SERVICE BOATS

G-GSB3	Service Boat	2,27 m.
G-GSB4	Service Boat	3,29 m.
G-GSB2	Service Boat	4,00 m.
G-GSB1	Service Boat	5,70 m.

UTILITY BOATS

G-F5-UB	Utility Boat	4,00 m.
G-F2-UB	Utility Boat	5,70 m.
G-F1-UB	Utility Boat	6,06 m.
G-F6-UB	Utility Boat	6,05 m.
G-F4-UB	Utility Boat	6,56 m.
G-F3-UB	Utility Boat	7,56 m.

WET UNITS

G-KLD1A	Wet Unit	WC + Wash Basin + Shower	1450 x 1450 x 2250 mm.
G-KLD1B	Wet Unit	WC + Wash Basin + Shower	1450 x 1450 x 2250 mm.
G-KLD1C	Wet Unit	WC + Wash Basin + Shower	1450 x 1450 x 2250 mm.
G-KLD1D	Wet Unit	WC + Wash Basin + Shower	1450 x 1450 x 2250 mm.
G-KL1	Wet Unit	WC + Wash Basin	2200 x 870 x 2250 mm.
G-KL2	Wet Unit	WC + Wash Basin	1950 x 1000 x 2250 mm.
G-KLB1A	Wet Unit	WC + Wash Basin + Bath	2180 x 1640 x 2250 mm.
G-KLB1B	Wet Unit	WC + Wash Basin + Bath	2180 x 1640 x 2250 mm.
G-KL1AD	Wet Unit	WC + Wash Basin + Cupboard	1450 x 1450 x 2250 mm.
G-KL1BD	Wet Unit	WC + Wash Basin + Cupboard	1450 x 1450 x 2250 mm.
G-KL1CD	Wet Unit	WC + Wash Basin + Cupboard	1450 x 1450 x 2250 mm.
G-KL1DD	Wet Unit	WC + Wash Basin + Cupboard	1450 x 1450 x 2250 mm.
G-KLD1CX	Wet Unit	WC + Wash Basin + Shower With Double Doors	1450 x 1450 x 2250 mm.
G-KLD1DX	Wet Unit	WC + Wash Basin + Shower With Double Doors	1450 x 1450 x 2250 mm.
G-KLD2AX	Wet Unit	WC + Wash Basin + Shower With Double Doors	2180 x 1640 x 2250 mm.
G-KLD2BX	Wet Unit	WC + Wash Basin + Shower With Double Doors	2180 x 1640 x 2250 mm.
G-KLD2CX	Wet Unit	WC + Wash Basin + Shower With Double Doors	2180 x 1640 x 2250 mm.
G-KLD2DX	Wet Unit	WC + Wash Basin + Shower With Double Doors	2180 x 1640 x 2250 mm.

G-CSD1	Lifebuoy Box
G-CSSBS1	Lifebuoy Quick Release System
G-CYK1	Lifejacket Box
G-CYK2	Lifejacket Box
G-CYK3	Lifejacket Box
G-CYK4	Lifejacket Box
G-CYK5	Lifejacket Box
G-CYK6	Lifejacket Box
G-CYK7	Lifejacket Box
G-CYK8	Lifejacket Box
G-CYK9	Lifejacket Box
G-AK1	Battery Box
G-AK2	Battery Box
G-AK3	Battery Box
G-AK4	Battery Box
G-AK5	Battery Box
G-KAK1	Foam Applicator Box
G-STK1	Breathing Apparatus Box
G-STD1	Breathing Apparatus Cabinet
G-YD1	Fire Hose Box
G-YD2	Fire Hose Box

ACCESSORIES

G-OM1	Automatic Drain Plug
G-K1	Hook Release Device

BUREAU VERITAS
Certification



Certification

Awarded to

GEPA FİBERGLAS SANAYİ VE TİCARET A.Ş.

**AYDINTEPE MAH. YAKAMOZ SOKAK NO: 10
34947 TUZLA, İSTANBUL, TURKEY**

*Bureau Veritas Certification certify that the Management System of the
above organisation has been audited and found to be in accordance
with the requirements of the management system standards detailed below*

Standards

ISO 9001:2008

Scope of supply

**DESIGN AND MANUFACTURE OF FIBERGLASS OPEN, PARTIALLY
AND TOTALLY ENCLOSED FREEFALL LIFEBOATS, SLOW SPEED
AND FAST RESCUE BOATS, SERVICE, WORK AND UTILITY BOATS;
MANUFACTURE OF FIBERGLASS BOXES AND CABINETS FOR
FIRE AND LIFE SAVING APPLIANCES AND WET UNITS FOR SHIPS
AND OFFSHORE INSTALLATIONS; MANUFACTURE OF ON-LOAD
RELEASE HOOK; SALES OF LAUNCHING RAMPS AND RESCUE BOAT
CRANES FROM LOT TRACABLE SOURCES; AFTER SALES TECHNICAL
SERVICE AND MAINTENANCE**

Original Approval Date: **06 AUGUST 2002**

*Subject to the continued satisfactory operation of the organisation's Management System, this certificate is
valid until:* **26 JANUARY 2013**

To check this certificate validity please call +90 216 518 40 50

*Further clarifications regarding the scope of this certificate and the applicability of the management system
requirements may be obtained by consulting the organisation.*

Certificate Number: **TR31025**

Date: **01 FEBRUARY 2010**


MAHMUT GENÇ
Certification Manager

*Bureau Veritas Certification
using the accreditation
certificate number 008*



008

Bureau Veritas Gözetim Hizmetleri Ltd.Şti.

Aydınevler Sanayi Caddesi, Centrum İş Merkezi, No:3 Kat.:1 34854, Küçüköyü, İstanbul, TURKEY